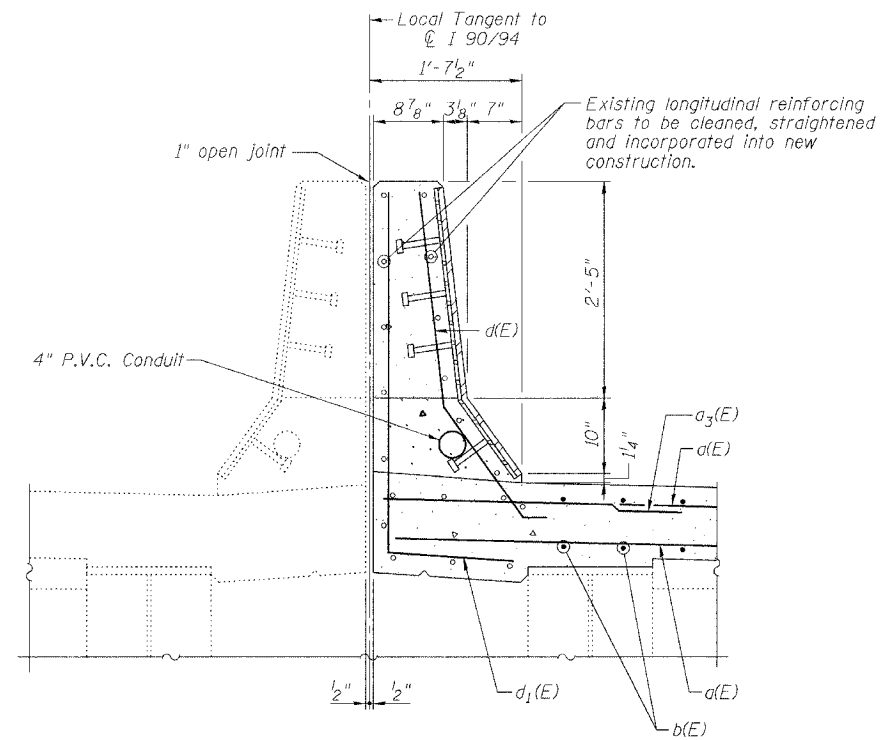


STATE OF ILLINOIS
DEPARTMENT OF TRANSPORTATION

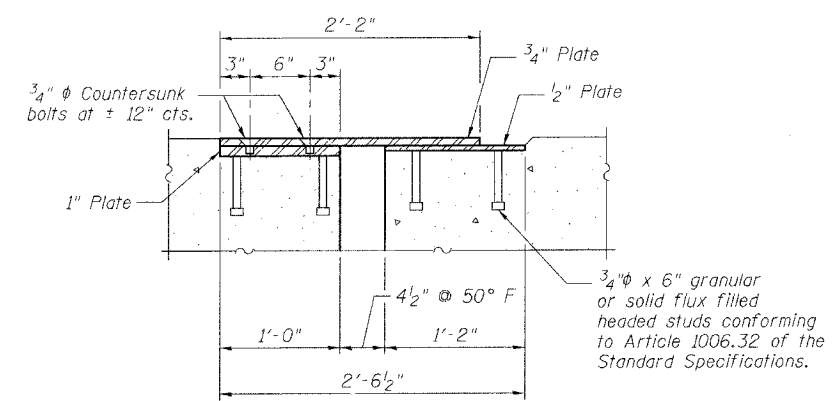
ROUTE NO.	SECTION	COUNTY	TOTAL SHEETS	SHEET NO.
FAI 90/94	*	COOK	93	44
FED. ROAD DIST. NO.	ILLINOIS	FED. AID PROJECT		

* 2005-008F
Contract #62919

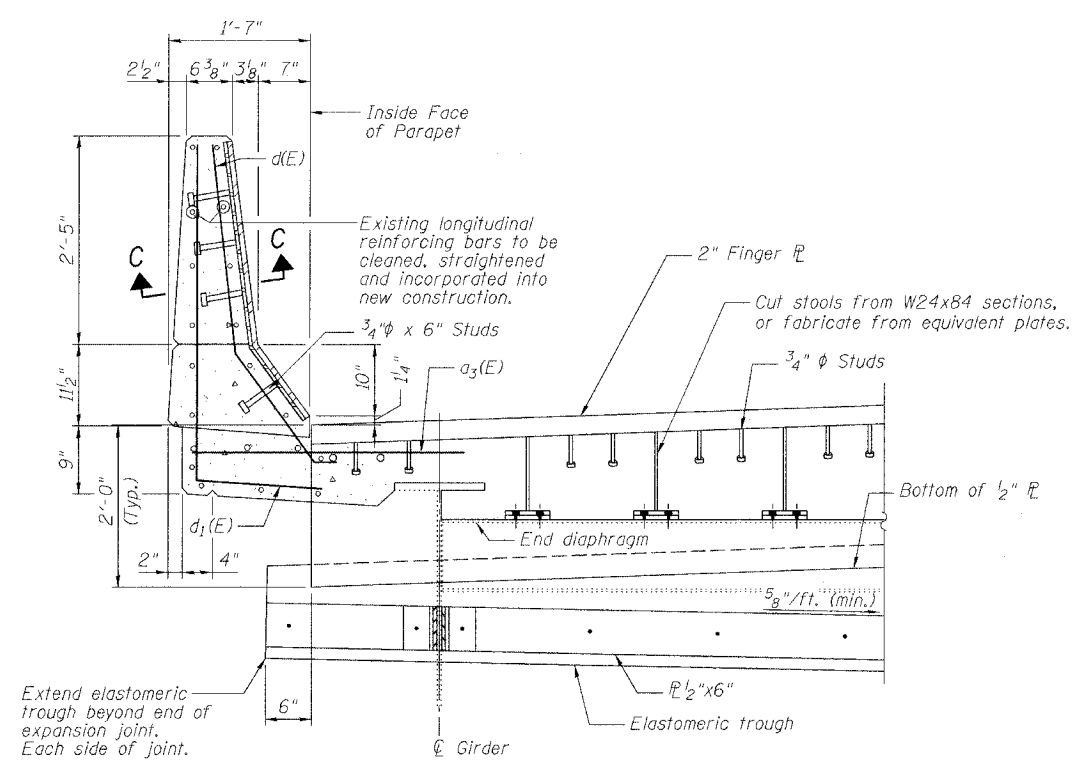
SHEET NO. 5
8 SHEETS



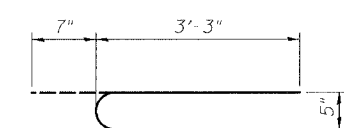
DETAIL AT MEDIAN PARAPET
(Looking North)



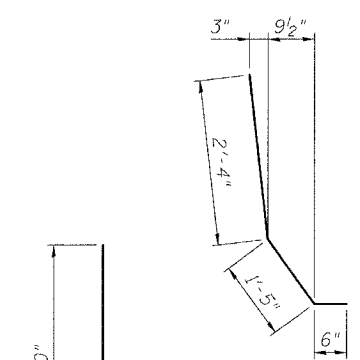
SECTION C-C



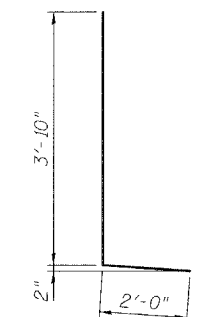
SECTION B-B
(For location of Section B-B, See Sheet 4 of 8)



BAR b(E)



BAR d(E)



BAR d1(E)

BILL OF MATERIAL

Bar	No.	Size	Length	Shape
d(E)	24	#5	30'-6"	—
a1(E)	24	#5	35'-6"	—
a2(E)	16	#6	4'-6"	—
b(E)	134	#5	3'-10"	⌋
d1(E)	16	#5	4'-3"	—
d1(E)	20	#5	5'-10"	⌋
Reinforcement Bars, Epoxy Coated			Pound	2490
Concrete Superstructure			Cu. Yd.	17.6
Bar Splicers			Each	24
Mechanical Splice			Each	134

Reinforcing bars designated (E) shall be epoxy coated.

ILLINOIS DEPARTMENT OF TRANSPORTATION
PARAPET DETAILS
F.A.I. ROUTE 90/94 NORTHBOUND (DAN RYAN EXPRESSWAY)
16TH STREET TO 18TH STREET
COOK COUNTY
S.N. 016-1111 - PIER 2

REVISIONS	
NAME	DATE

SCALE: VERT. _____
HORIZ. _____
DATE: 3/28/05

DRAWN BY: LANDREY
DESIGNED BY: SANFORD
CHECKED BY: _____

GREENE & BRADFORD, INC.
CONSULTING ENGINEERS
STRUCTURAL DIVISION
PROFESSIONAL ENGINEERS
REGISTERED IN THE STATE OF ILLINOIS
1001 N. WILSON, SUITE 100, CHICAGO, ILLINOIS 60642
TEL: 312.464.4575 FAX: 312.464.4576 WWW.GREENEANDBRADFORD.COM

COMPUTER FILE NO.
04286-W05-NB-PD
PROJECT 04286-W05
6/15/05-MML

FILE NAME = \$FILES
PLOT SCALE = \$PLOTSCALE
PLOT DATE = 6/21/2005
PLOT TIME = 2:43:30 PM
OPERATOR = michellel