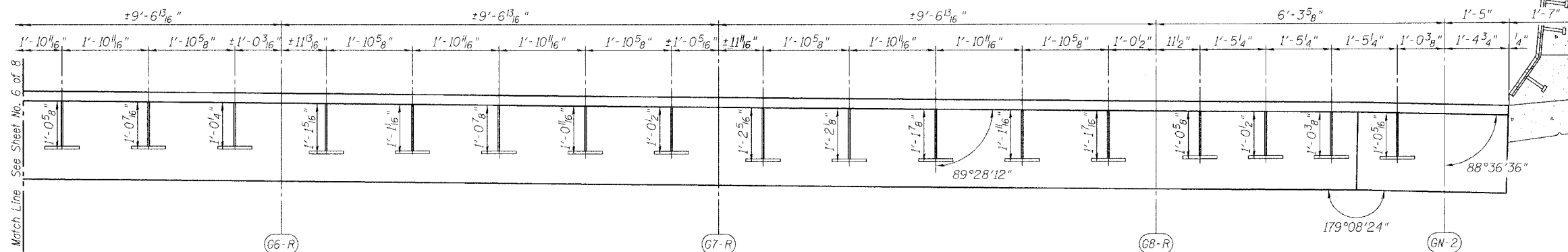


STATE OF ILLINOIS  
DEPARTMENT OF TRANSPORTATION

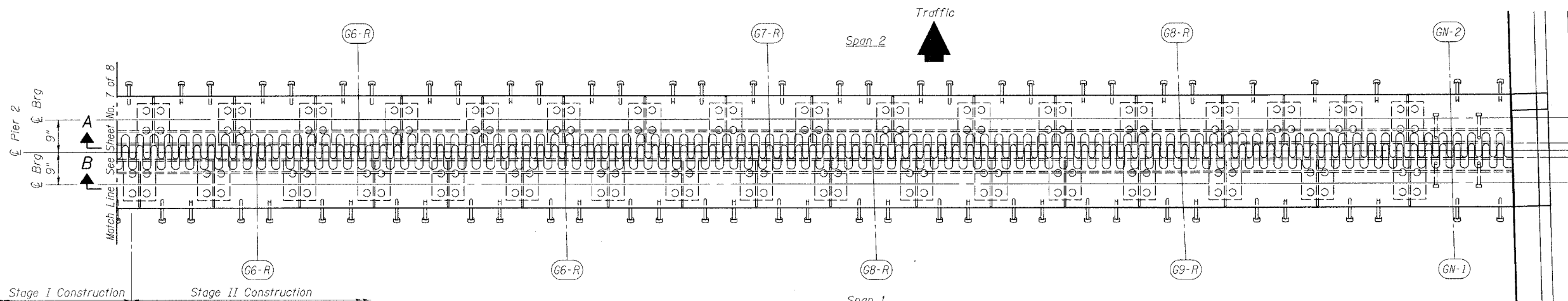
ROUTE NO. FAI 90/94	SECTION *	COUNTY COOK	TOTAL SHEETS 93	SHEET NO. 46
FED. ROAD DIST. NO.		ILLINOIS	FED. AID PROJECT	

SHEET NO. 7  
8 SHEETS

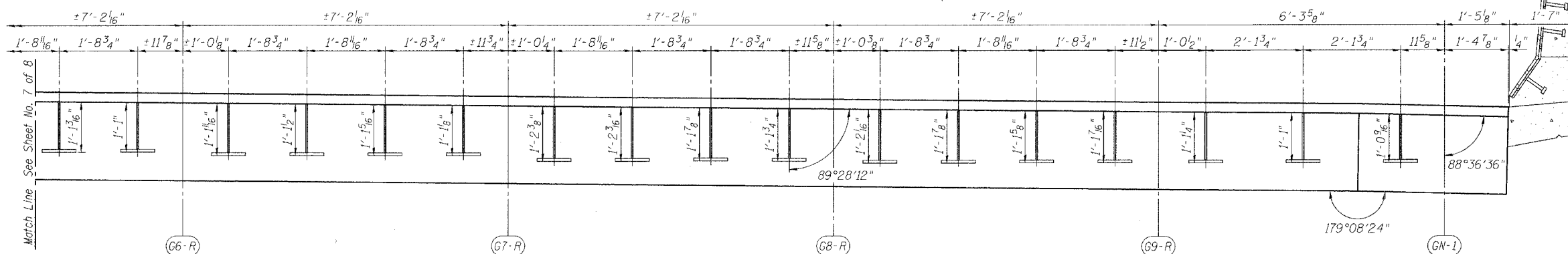
\* 2005-008F  
Contract #62919



**SECTION A-A**  
(Dimensions are along  $\bar{C}$  Pier)



**PLAN OF FINGER PLATE AT PIER 2**



**SECTION B-B**  
(Dimensions are along  $\bar{C}$  Pier)

REVISIONS	
NAME	DATE

ILLINOIS DEPARTMENT OF TRANSPORTATION  
**FINGER PLATE PLAN AND ELEVATION**

F.A.I. ROUTE 90/94 NORTHBOUND (DAN RYAN EXPRESSWAY)  
16TH STREET TO 18TH STREET  
COOK COUNTY  
S.N. 016-1111 - PIER 2

SCALE: VERT. \_\_\_\_\_  
HORIZ. \_\_\_\_\_  
DATE: 3/28/05

DRAWN BY: LANDREY  
DESIGNED BY: SANFORD  
CHECKED BY: \_\_\_\_\_

GREENE & BRADFORD, INC.  
OF SPRINGFIELD  
PROJECT 04286-W05  
COMPUTER FILE NO. 04286-W05-NB-PE2  
PROJECT 04286-W05  
6/15/05-MML

FILE NAME = #FILES  
PLOT SCALE = #PLOTSCALE# DRV = \$PLOTTER#  
PLOT TIME = #PLOTTIME#  
PLOT OPERATOR = #PLOTOPERATOR#