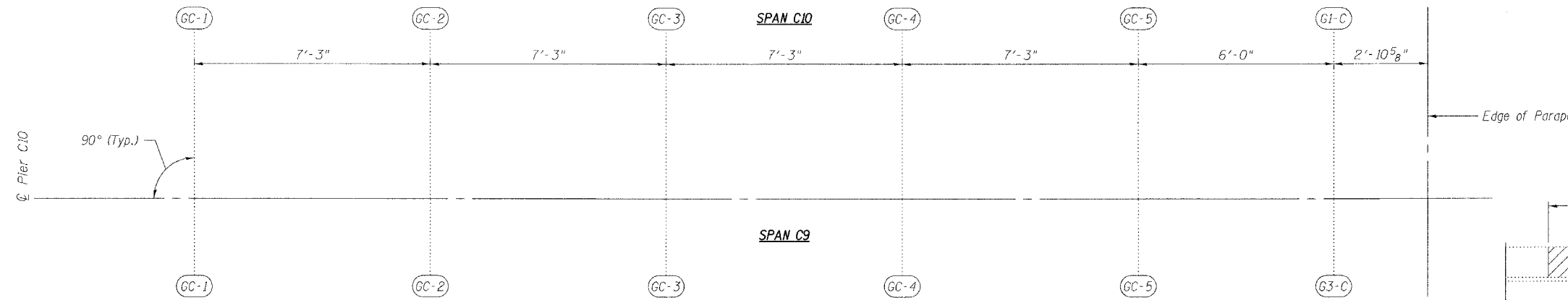


STATE OF ILLINOIS
DEPARTMENT OF TRANSPORTATION

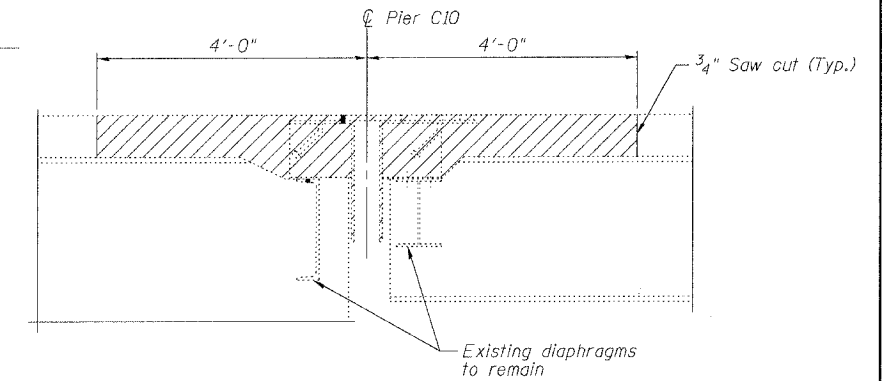
ROUTE NO.	SECTION	COUNTY	TOTAL SHEETS	SHEET NO.
FAI 90/94	*	COOK	93	49
FED. ROAD DIST. NO.	ILL. PROJ. NO.	FED. AID PROJECT		

SHEET NO. 2
8 SHEETS

* 2005 - 008F
Contract #62919



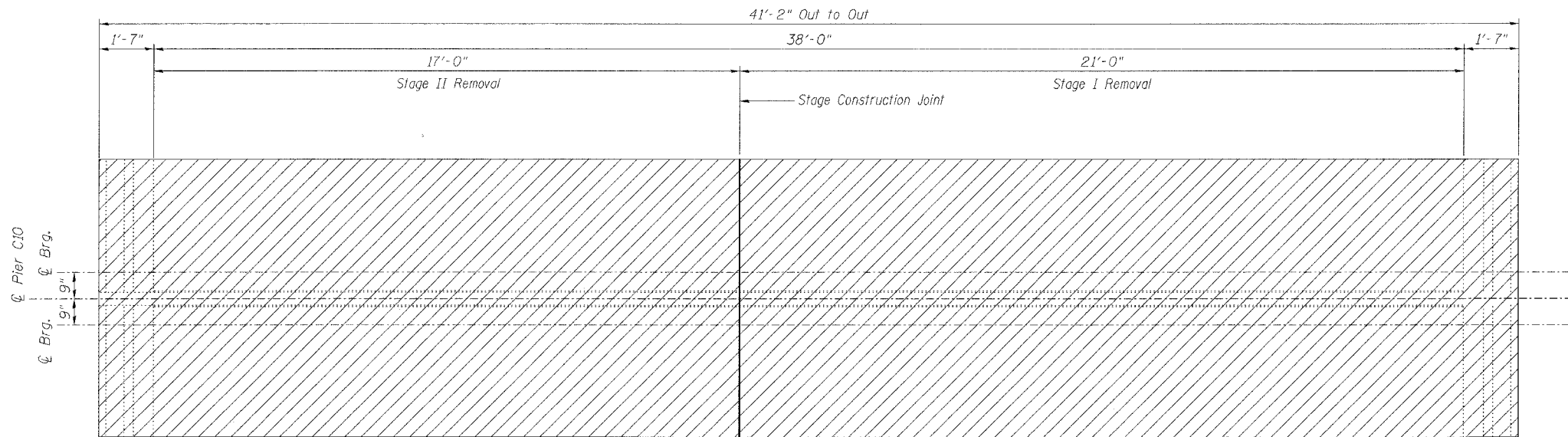
GIRDER LAYOUT AT PIER C10



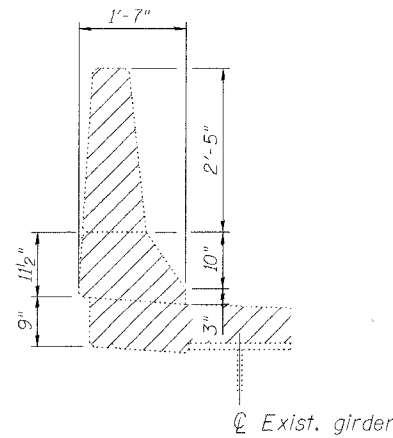
Note:
Any reinforcement bars that are damaged during concrete removal operations shall be repaired or replaced using an approved bar splicer or anchorage system. Cost included with "Concrete Removal".

Existing finger plates, stools, drainage trough and hardware shall be removed. Cost included with "Concrete Removal".

SECTION AT
EXISTING FINGER PLATE



JOINT REMOVAL PLAN AT PIER C10



DETAIL AT EXISTING
OUTSIDE PARAPET

Notes:

Hatched Area indicates "Concrete Removal".
Longitudinal reinforcement extending into removal areas shall be cleaned, straightened and incorporated into the new construction except as noted on Section A-A on Sheet 4.

REVISIONS	
NAME	DATE

ILLINOIS DEPARTMENT OF TRANSPORTATION
**FINGER PLATE EXPANSION JOINT
REMOVAL DETAILS**
F.A.I. ROUTE 90/94 NORTHBOUND (DAN RYAN EXPRESSWAY)
OVER SOUTH BRANCH - CHICAGO RIVER
COOK COUNTY
S.N. 016-1113 - PIER C10

SCALE: VERT.
HORIZ.
DATE: 2/17/05
DRAWN BY: HEBERLING
DESIGNED BY: SANFORD
CHECKED BY: -
COMPUTER FILE NO.
04286-W04-REM
PROJECT 04286-W04
6/15/05-MML

GREENE & BRADFORD, INC.
OF SPRINGFIELD
REGISTERED PROFESSIONAL ENGINEERS
NO. 0206171100 ILL. STATE
SINCE 1914
1001 N. WASHINGTON ST., SUITE 200
SPRINGFIELD, ILL. 62761
TEL: 217-223-1111 FAX: 217-223-1112
WWW.GREENE-AND-BRADFORD.COM

FILE NAME = \$FILES
PLOT SCALE = \$PLOTSCALE
PLOT DATE = 6/21/2005
PLOT TIME = 1:46:01PM
OPERATOR = mitchell