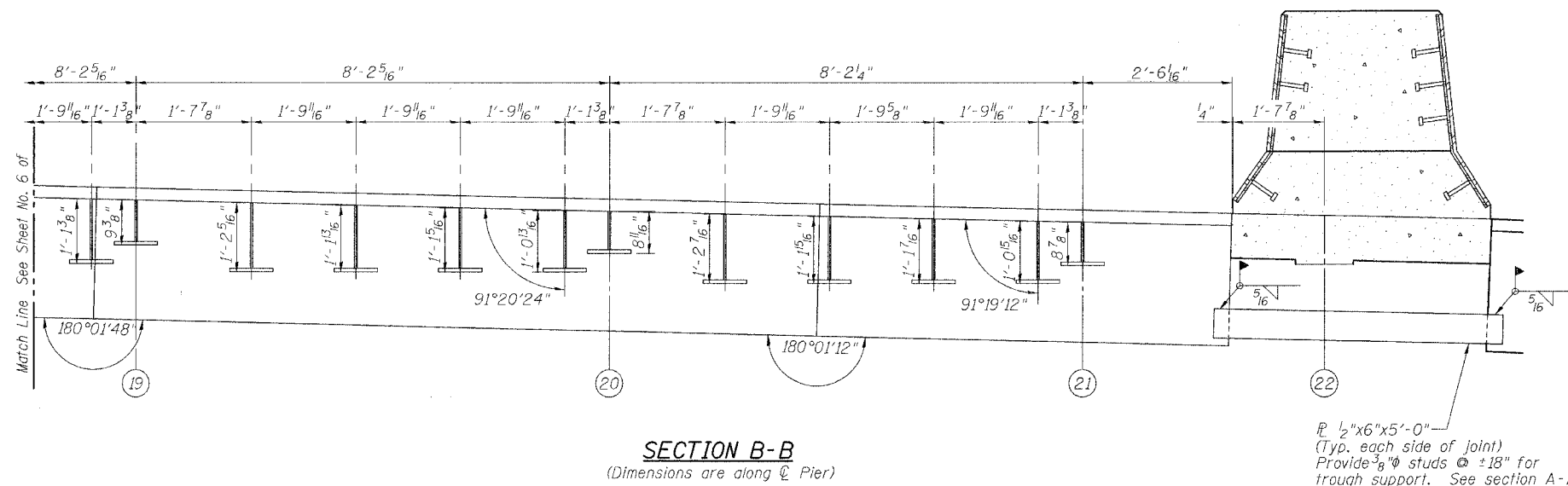
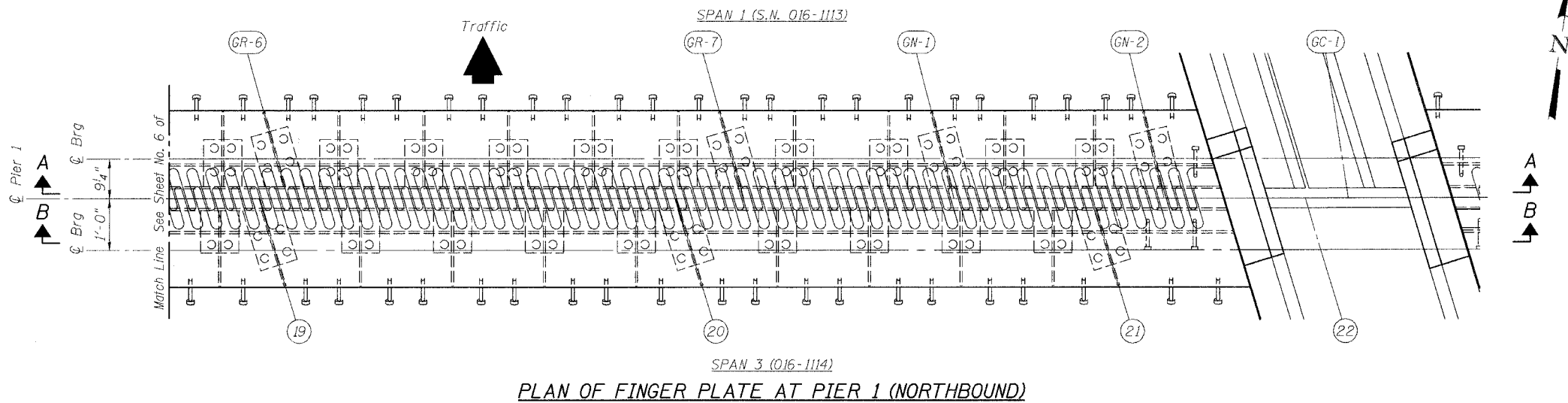
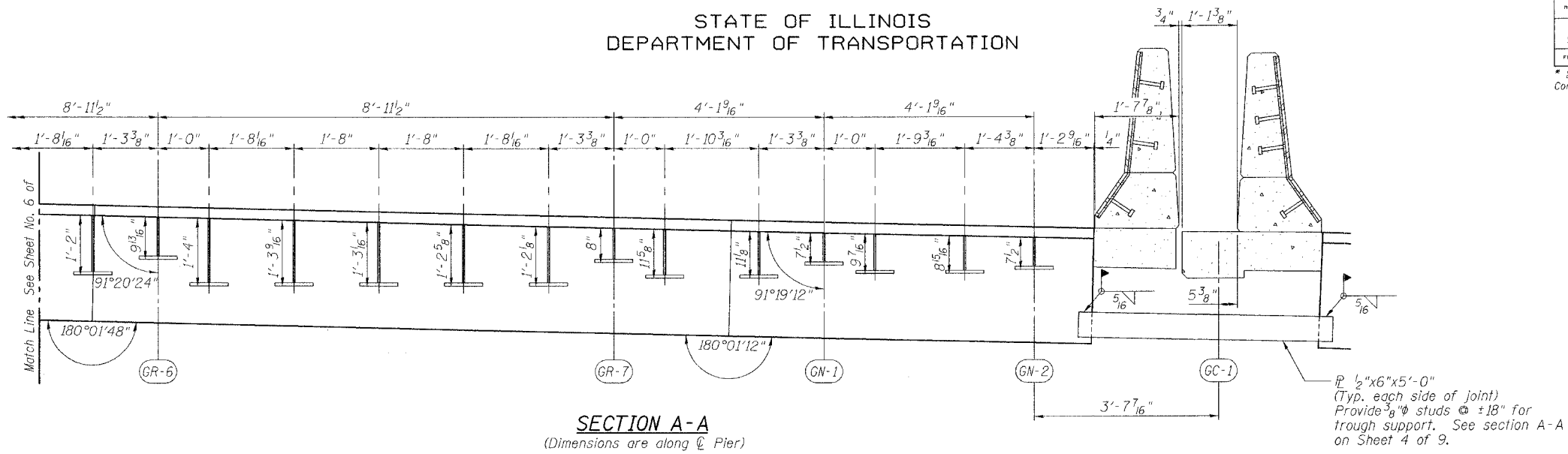


STATE OF ILLINOIS
DEPARTMENT OF TRANSPORTATION

ROUTE NO.	SECTION	COUNTY	TOTAL SHEETS	SHEET NO.
FAI 90/94	*	COOK	93	62
FED. ROAD DIST. NO.	ILLINOIS	FED. AID PROJECT		
* 2005-008F Contract #62919				

SHEET NO. 7
9 SHEETS



Note: Any structural steel prime coat removed for, or damaged by field welding shall be replaced in accordance with Section 506.05 of the Standard Specifications. Cost included with "Erecting Structural Steel".

REVISIONS	
NAME	DATE

ILLINOIS DEPARTMENT OF TRANSPORTATION
FINGER PLATE PLAN AND ELEVATION

F.A.I. ROUTE 90/94 NORTHBOUND (DAN RYAN EXPRESSWAY)
OVER SOUTH BRANCH - CHICAGO RIVER
COOK COUNTY
S.N. 016-1113 - PIER 1

SCALE: VERT. _____
HORIZ. _____
DATE: 3/22/05

DRAWN BY: LANDREY
DESIGNED BY: SANFORD
CHECKED BY: _____

GREENE & BRADFORD, INC.
OF SPRINGFIELD
CONSULTING ENGINEERS
PROFESSIONAL ENGINEERS
PROFESSIONAL SURVEYORS
PROFESSIONAL GEOTECHNICAL ENGINEERS
PROFESSIONAL CIVIL ENGINEERS

COMPUTER FILE NO.
04286-W01-NB-PE2
PROJECT 04286-W01
6/21/05-MML

FILE NAME = \$FILES\$
PLOT SCALE = \$PLOTSIZE\$
PLOT DATE = 6/21/2005
PLOT TIME = 10:06:06 PM
OPERATOR = michaell