

STATE OF ILLINOIS
DEPARTMENT OF TRANSPORTATION

| | | | | | |
|---------------------|----------|------------------|-------|-----------|-------------|
| ROUTE NO. | SECTION | COUNTY | DIST. | SHEET NO. | SHEET NO. 8 |
| FAI 90/94 | * | COOK | 93 | 72 | 8 SHEETS |
| FED. ROAD DIST. NO. | ILLINOIS | FED. AID PROJECT | | | |

* 2005 - 008F
Contract #62919

NOTES

Bar splicer assemblies shall be of an approved type and shall develop in tension at least 125 percent of the yield strength of the lapped reinforcement bars.
Splicer rods shall be of minimum 60 ksi yield strength, threaded or coiled full length.
All reinforcement bars shall be lapped and tied to the splicer rods or dowel bars.
Bar splicer assemblies shall be epoxy coated according to the requirements for reinforcement bars.
Other systems of similar design may be submitted to the Engineer for approval. Approval shall be based on certified test results from an approved testing laboratory that the proposed bar splicer assembly satisfies the following requirements:

- ① Minimum Capacity (Tension in kips) = $1.25 \times f_y \times A_t$
- ② Minimum *Pull-out Strength (Tension in kips) = $1.25 \times f_{s_{allow}} \times A_t$

Where f_y = Yield strength of lapped reinforcement bars in ksi.
 $f_{s_{allow}}$ = Allowable tensile stress in lapped reinforcement bars in ksi (Service Load)
 A_t = Tensile stress area of lapped reinforcement bars.
* = 28 day concrete

| BAR SPLICER ASSEMBLIES | | | |
|------------------------|---------------------------------|------------------------------|---------------------------------------|
| Bar Size to be Spliced | Splicer Rod or Dowel Bar Length | Strength Requirements | |
| | | Min. Capacity kips - tension | Min. Pull-Out Strength kips - tension |
| #4 | 1'-8" | 14.7 | 5.9 |
| #5 | 2'-0" | 23.0 | 9.2 |
| #6 | 2'-7" | 33.1 | 13.3 |
| #7 | 3'-5" | 45.1 | 18.0 |
| #8 | 4'-6" | 58.9 | 23.6 |
| #9 | 5'-9" | 75.0 | 30.0 |
| #10 | 7'-3" | 95.0 | 38.0 |
| #11 | 9'-0" | 117.4 | 46.8 |

Bar splicer assemblies shall be according to Section 508 of the Standard Specifications, except as noted. The furnishing and installation of bar splicer assemblies will be measured and paid for at the contract unit price each for "BAR SPLICERS."

The diameter of this part is the same as the diameter of the bar spliced.

ROLLED THREAD DOWEL BAR



** ONE PIECE

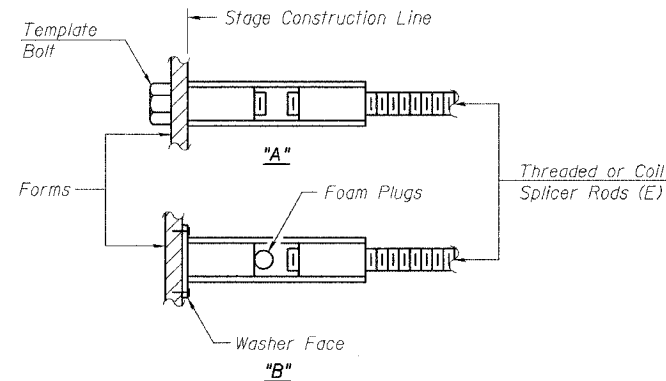
Wire Connector



WELDED SECTIONS

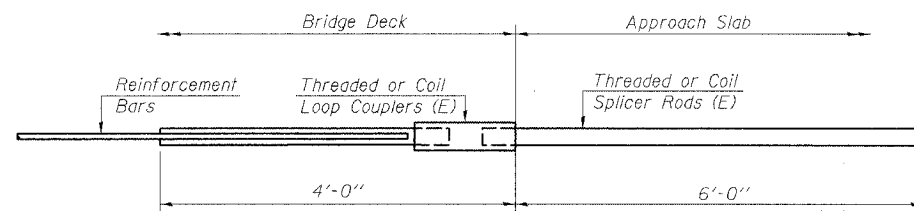
BAR SPLICER ASSEMBLY ALTERNATIVES

** Heavy Hex Nuts conforming to ASTM A 563, Grade C, D or DH may be used.



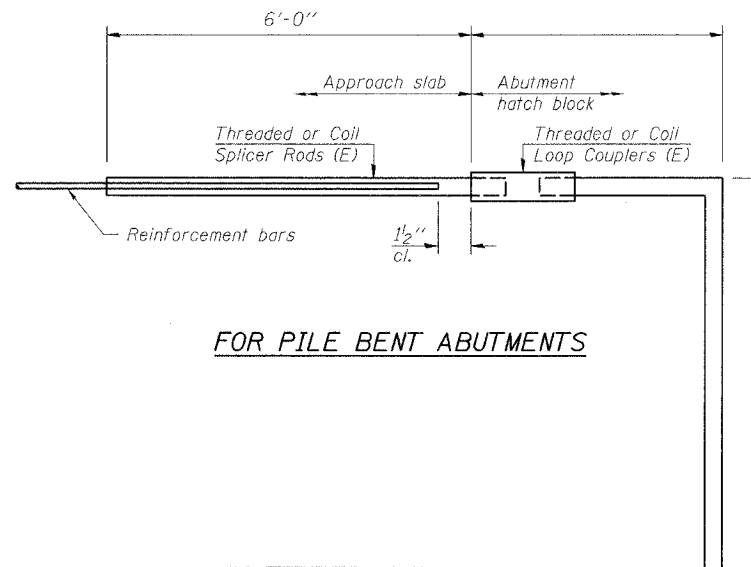
INSTALLATION AND SETTING METHODS

"A": Set bar splicer assembly by means of a template bolt.
"B": Set bar splicer assembly by nailing to wood forms or cementing to steel forms.
(E): Indicates epoxy coating.



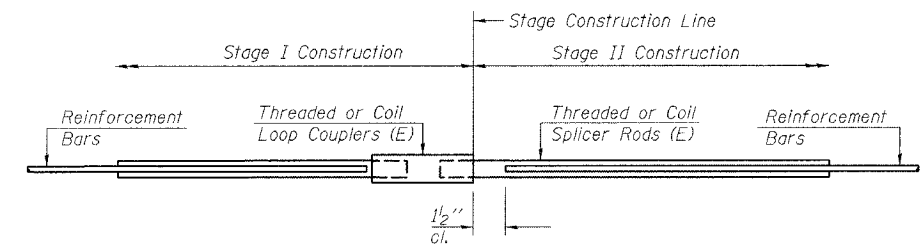
FOR INTEGRAL OR SEMI-INTEGRAL ABUTMENTS

| |
|---|
| Bar Splicer for #5 bar |
| Min. Capacity = 23.0 kips - tension |
| Min. Pull-out Strength = 9.2 kips - tension |
| No. Required = N/A |



FOR PILE BENT ABUTMENTS

| |
|---|
| Bar Splicer for #5 bar |
| Min. Capacity = 23.0 kips - tension |
| Min. Pull-out Strength = 9.2 kips - tension |
| No. Required = N/A |



STANDARD

| Bar Size | No. Assemblies Required | Location |
|----------|-------------------------|----------|
| #5 | 24 | Deck |
| | | |
| | | |

| REVISIONS | |
|-----------|------|
| NAME | DATE |
| | |
| | |

ILLINOIS DEPARTMENT OF TRANSPORTATION
BAR SPLICER ASSEMBLY DETAILS
F.A.I. ROUTE 90/94 NORTHBOUND (DAN RYAN EXPRESSWAY)
OVER 28th ST. TO S. STEWART ST.
COOK COUNTY
S.N. 016-1117 - PIER 26

SCALE: VERT. _____
HORIZ. _____
DATE: 2/17/05
DRAWN BY: HEBERLING
DESIGNED BY: SANFORD
CHECKED BY: _____
COMPUTER FILE NO. 04286-W03-BSD
PROJECT 04286-W03
6/17/05-MML



FILE NAME = \$FILE\$
PLOT SCALE = \$PLOTSCALE\$
PLOT TIME = 12:33:55 PM
OPERATOR = michellel

BSD-1

10-22-04