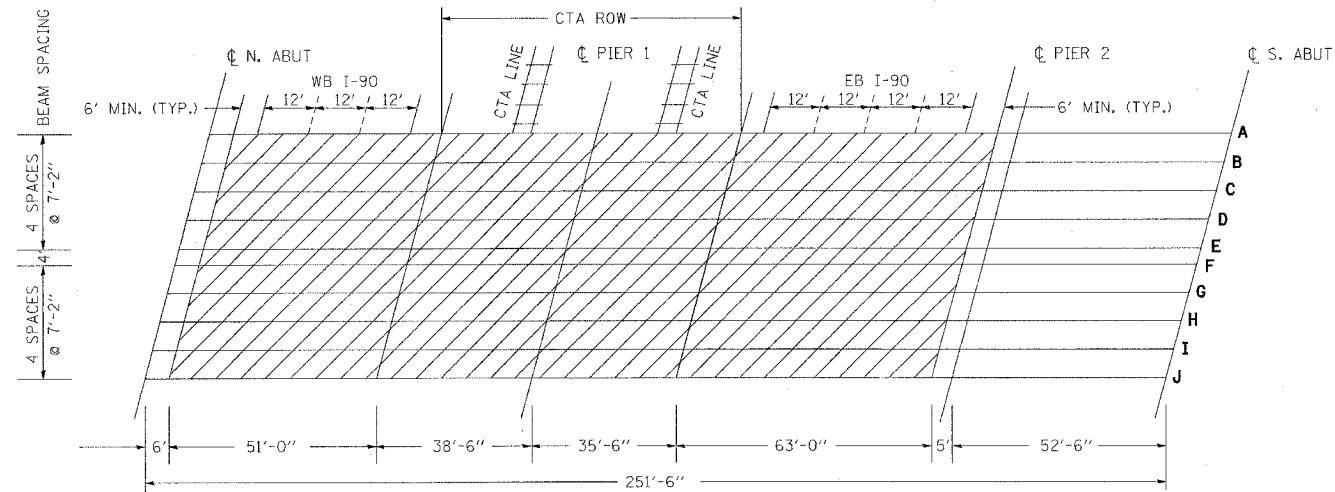
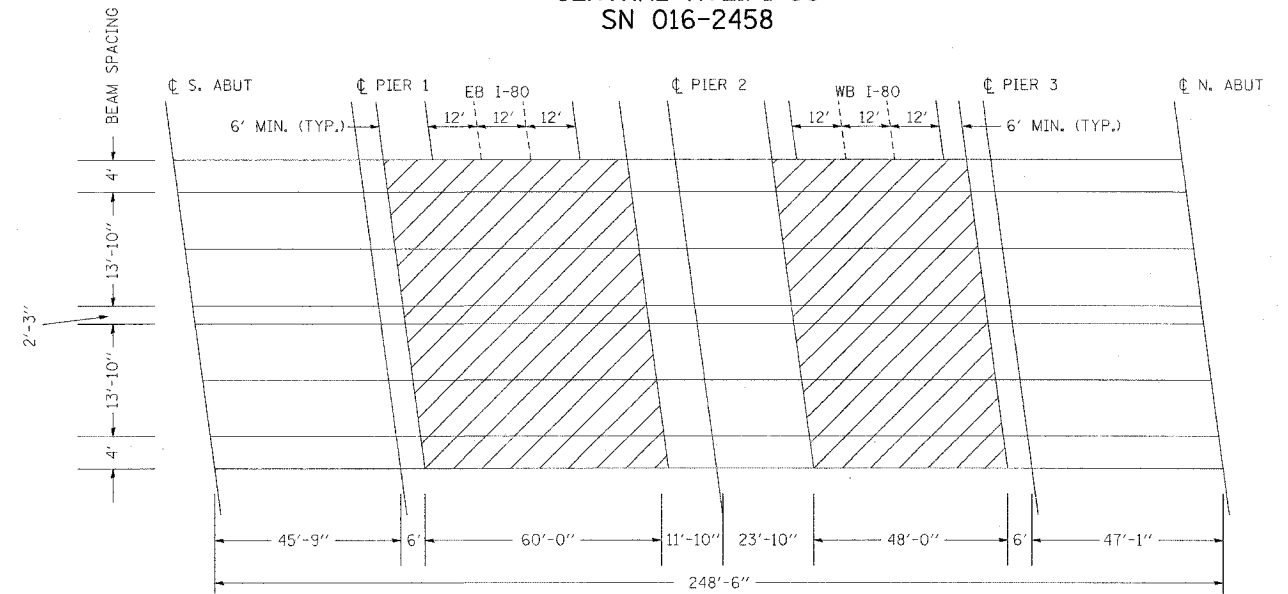


F.A. RTE.	SECTION	COUNTY	TOTAL SHEETS	SHEET NO.
VAR.	2005-019I	COOK	9	5
STA.		TO STA.		
FED. ROAD DIST. NO.		ILLINOIS FED. AID PROJECT		

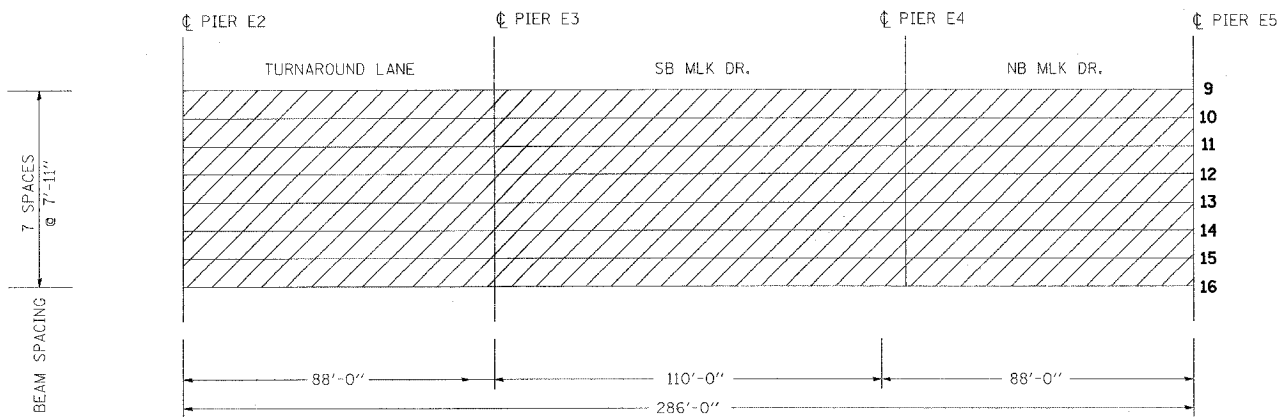
LOCATION 1
CENTRAL AVE/I-90
SN 016-0659



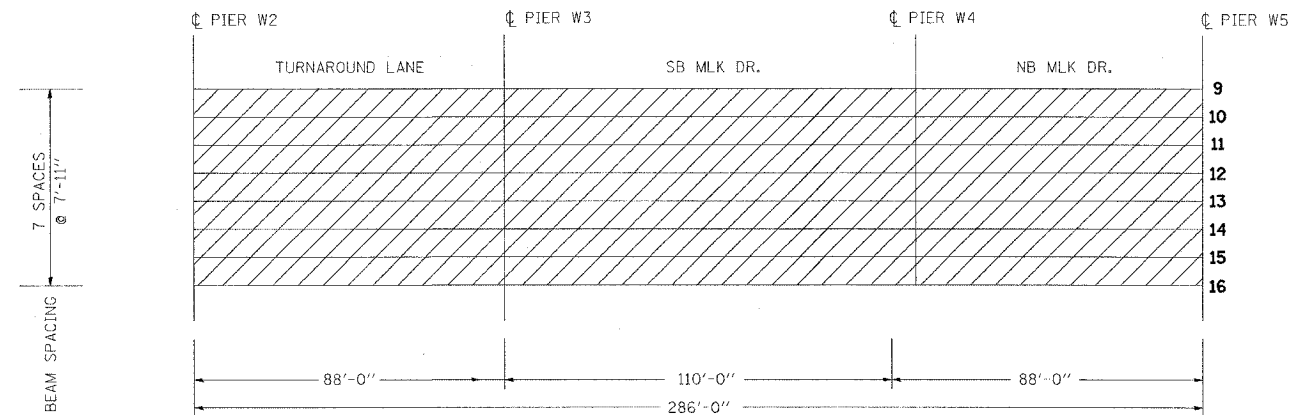
LOCATION 2
CENTRAL AVE./I-80
SN 016-2458



LOCATION 3
I-55 EB/MARTIN LUTHER KING DR.
SN 016-0036



LOCATION 4
I-55 WB/MARTIN LUTHER KING DR.
SN 016-1055



REVISIONS	
NAME	DATE

ILLINOIS DEPARTMENT OF TRANSPORTATION

LOCATIONS 1, 2, 3 AND 4

SCALE: VERT. _____
HORIZ. _____

DATE _____

DRAWN BY _____
CHECKED BY _____

PLOT DATE = 5/27/2005
FILE NAME = c:\pwork\jerry\dl18395\dl18395.dgn
USER NAME = jerry