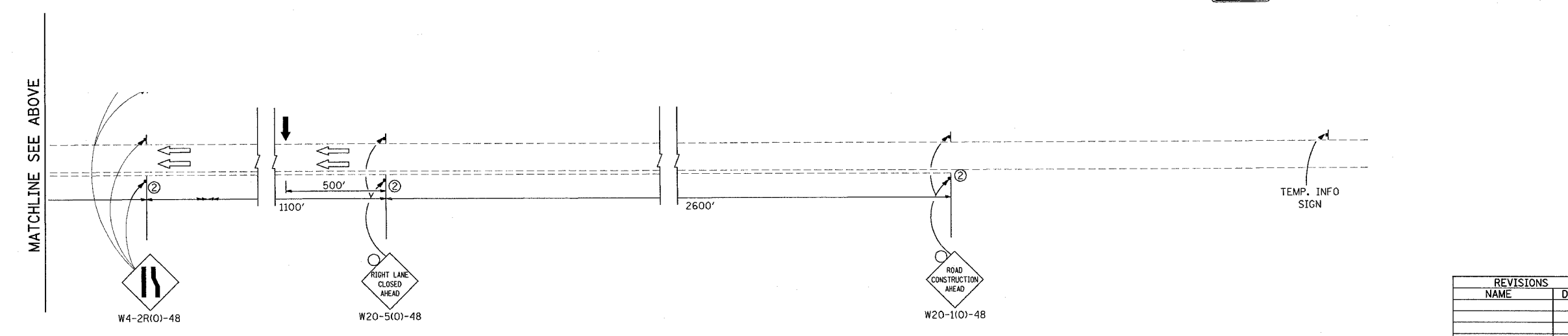
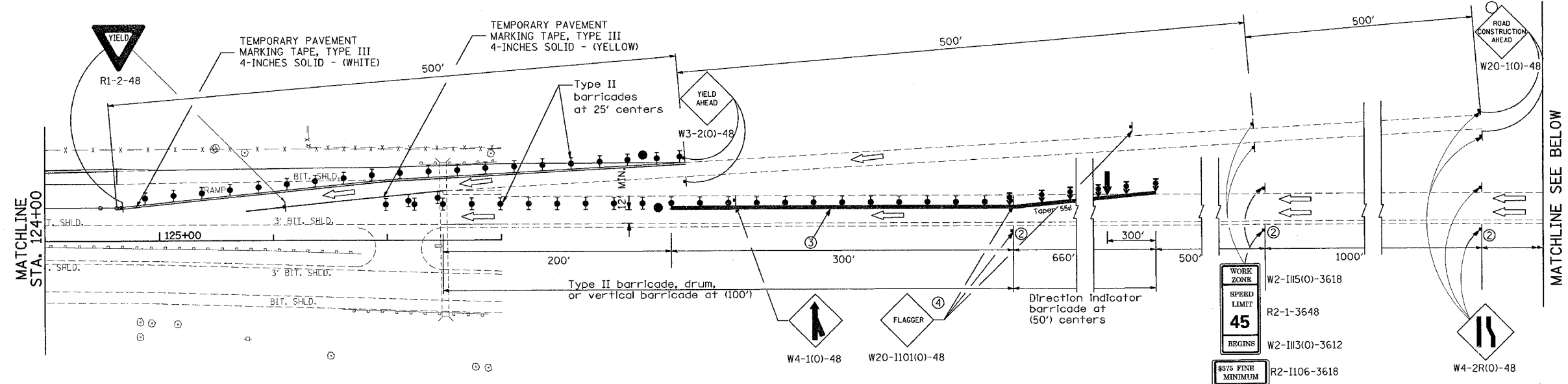
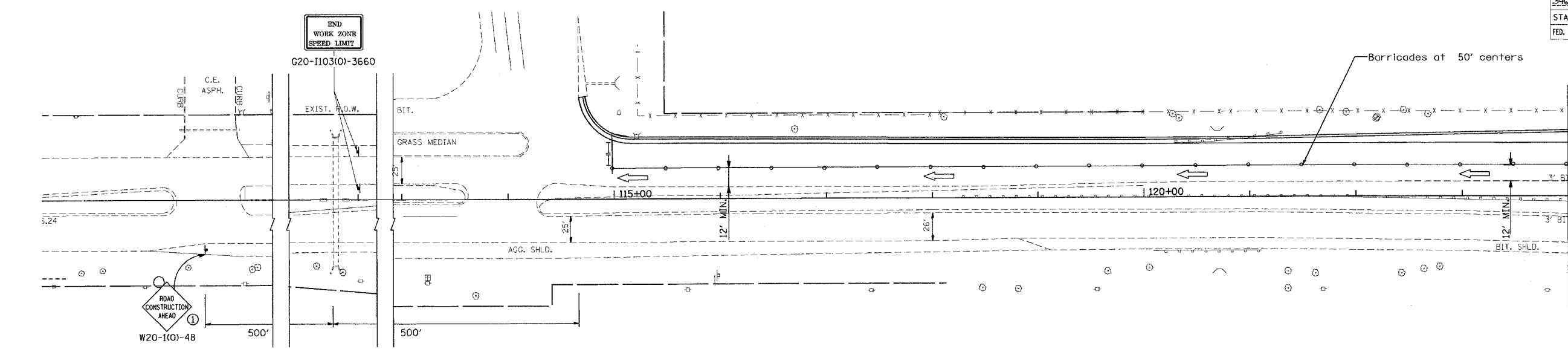


F.A.P. RTE.	SECTION	COUNTY	TOTAL SHEETS	SHEET NO.
24	124A	Lake	19	6
STA. _____		TO STA. _____		
FED. ROAD DIST. NO. _____		ILLINOIS FED. AID PROJECT		

62954



NOTES:

- ① Undivided roadway only with left lane closure in opposite direction.
- ② Omitted when median is less than 10'.
- ③ Reflectorized temporary pavement marking tape shall be placed throughout the taper and for 300' along-side the work area where the closure time is greater than fourteen calendar days. The edge line shall be white for right lane closures and yellow for left lane closures. Raised reflectorized pavement markers at 25' centers shall be used to supplement the pavement marking tape.
- ④ FLAGGER signs shall be moved as necessary to maintain the required spacing between the sign and each separate work activity.

LEGEND:

- ← Traffic Flow Direction
- ↑ Arrow board
- ▨ Work area
- ⊥ Sign
- ↑ Direction indicator barricade with steady burn monodirectional light
- I Type II barricade, drum, or vertical barricade
- ⊥ Type II barricade, drum, or vertical barricade with steady burn monodirectional light
- Type I barricade, drum, or vertical barricade
- Flagger with traffic control sign

REVISIONS	
NAME	DATE

ILLINOIS DEPARTMENT OF TRANSPORTATION

MAINTENANCE OF TRAFFIC

SCALE: 1:50
DATE: MAY 17, 2005

DRAWN BY: KC
CHECKED BY: RT