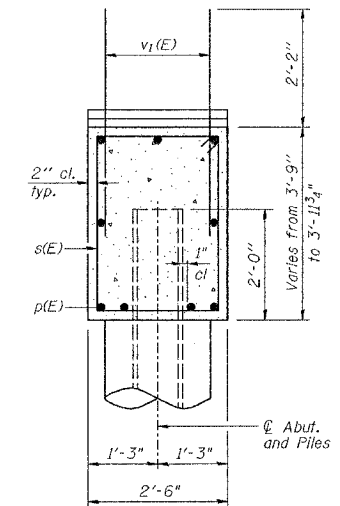
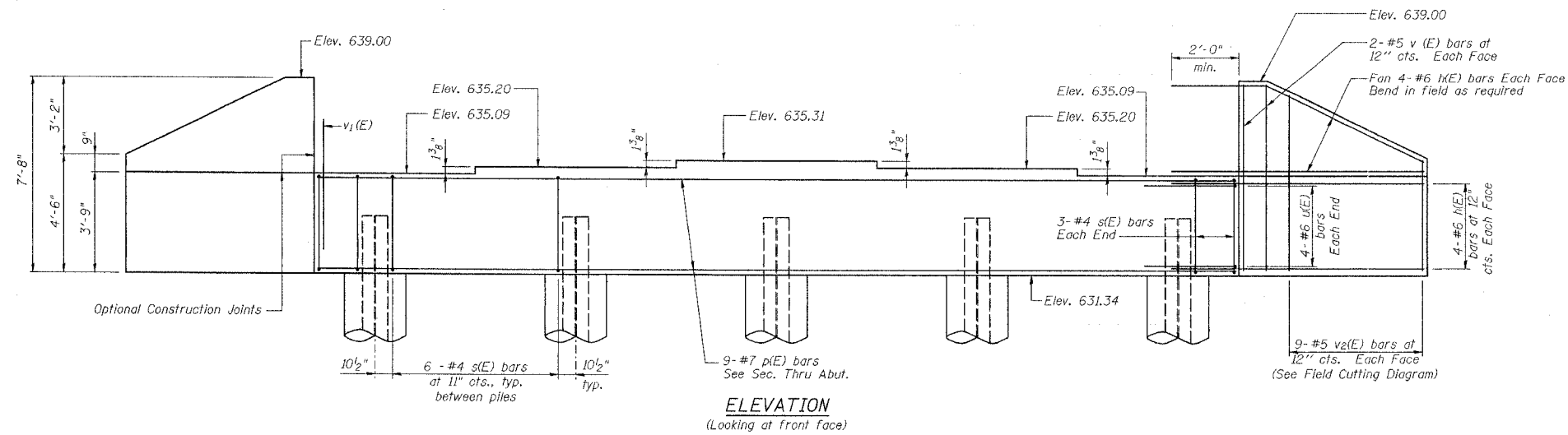


STATE OF ILLINOIS  
DEPARTMENT OF TRANSPORTATION

Sheet No. 11  
of 16 Sheets

ROUTE NO.	SECTION	COUNTY	TOTAL SHEETS	SHEET NO.
SBI 88	103C-BR	BUREAU	51	22
FEDERAL DISTRICT		ILLINOIS	PROJECT	
CONTRACT #64423				

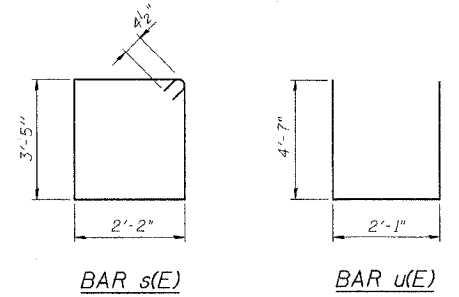
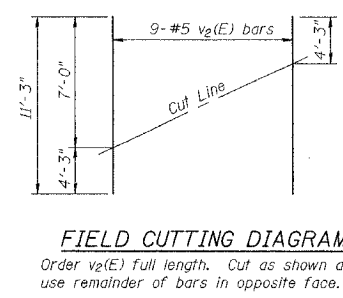
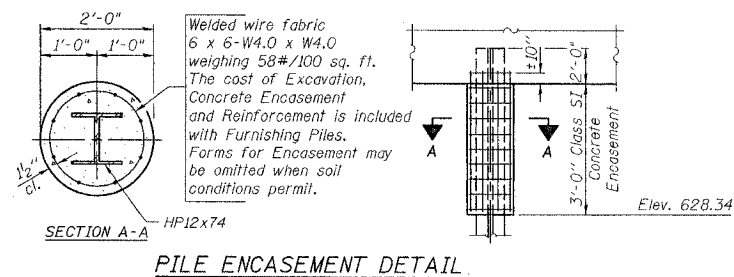
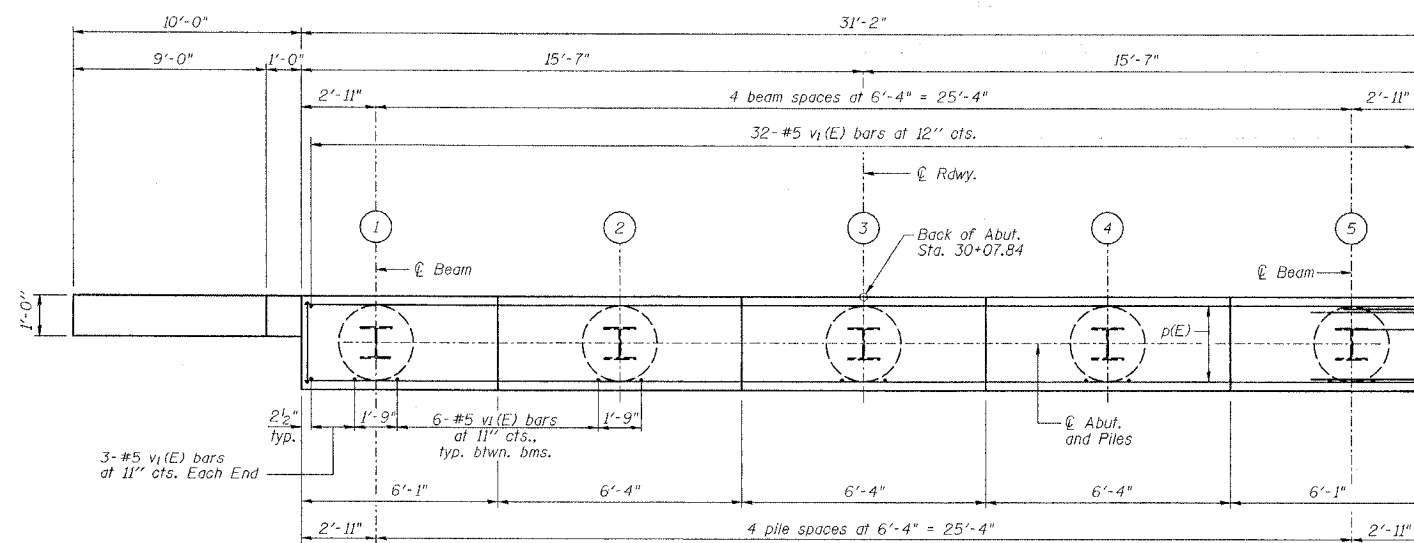


**PILE DATA**

Type: Steel HP 12x74  
Capacity: 50 T design driven to 87 T bearing  
Est. Length: 87'  
No. Required: 4 plus 1 test pile  
Negative Skin Friction Allowance = 12 T

**BILL OF MATERIAL**

Bar	No.	Size	Length	Shape
v(E)	32	#6	12'-4"	
p(E)	9	#7	30'-10"	
s(E)	30	#4	11'-11"	
u(E)	8	#6	11'-3"	
v(E)	8	#5	7'-4"	
v1(E)	62	#5	4'-4"	
v2(E)	18	#5	11'-3"	
Concrete Structures	Cu. Yd.		13.8	
Reinforcement Bars, Epoxy Coated	Pound		2090	
Structure Excavation	Cu. Yd.		87	
Test Pile Steel HP12x74	Each		1	
Furnishing Steel Piles HP12x74	Foot		348	
Driving Steel Piles	Foot		348	



**NOTES**

Four steps monolithically with cap.  
Reinforcement bars designated (E) shall be epoxy coated.

NEW BEDFORD ROAD OVER GREEN RIVER

REVISIONS		STATE OF ILLINOIS DEPARTMENT OF TRANSPORTATION DIVISION OF HIGHWAYS		PROJECT NO. 4858-1
NO.	DATE	INITIALS		SHEET NO.
1				
2				
3				
4				
5				
6				
7				
8				
9				
10				
11				
12				