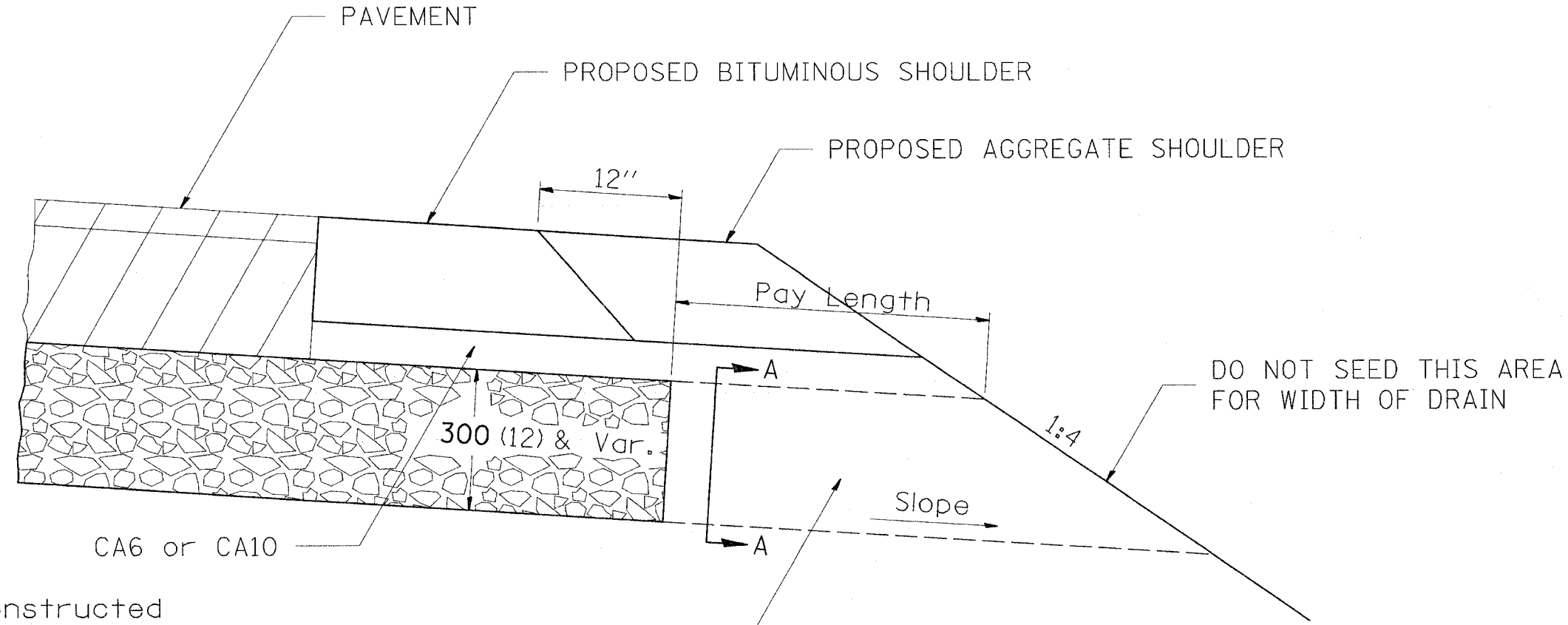


64423

F. A. RTE.	SECTION	COUNTY	TOTAL SHEETS	SHEET NO
88	103C-BR	BUREAU	51	41
STA. 19+00		TO STA. 39+00		
FED. ROAD DIST. NO.	ILLINOIS	FED. AID PROJECT		

# DRAIN FOR AGGREGATE BASE COURSE

NOTE: ALL DIMENSIONS ARE IN MILLIMETERS (INCHES) UNLESS OTHERWISE NOTED.



### NOTES:

The rock outlets shall be constructed using CA7 and will be paid for at the contract unit price per  $m^2$  (SQ. YD.) for SUB-BASE GRANULAR MATERIAL, TYPE A of the thickness specified which includes the filter fabric. The Rock outlets will be measured in  $m^2$  (SQ. YD.), the width being 900 (36) by the length shown above. The cost of the CA6 or CA10 under the shoulder shall be included in the contract unit price per  $m^2$  (SQ. YD.) for SUB-BASE GRANULAR MATERIAL, TYPE A of the thickness specified. The filter fabric to be used shall conform to the filter fabric used for Riprap.

ROCK OUTLET AT ALL LOW POINTS TO BE 900 (36) WIDE AND EXTEND TO FORESLOPE



SECTION A-A

NOTE: Slope same as shoulder with 2% min.

CHECKED BY:

DRAWN BY:

DESIGNED BY:

Tue Nov 04 09:55:28 2003 c:\projects\102strnds\z96pt4.dgn

REVISED 13-JULY-95

96.4