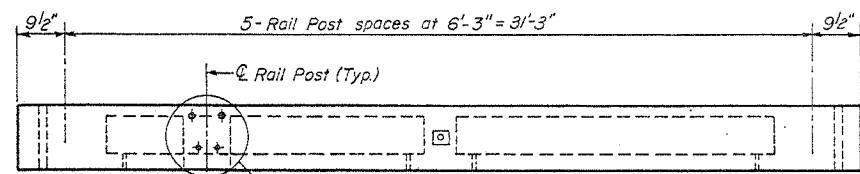
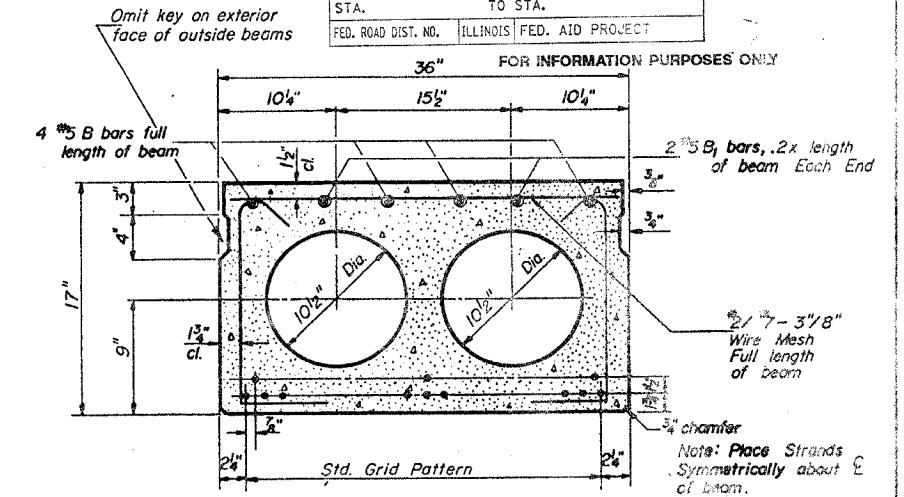
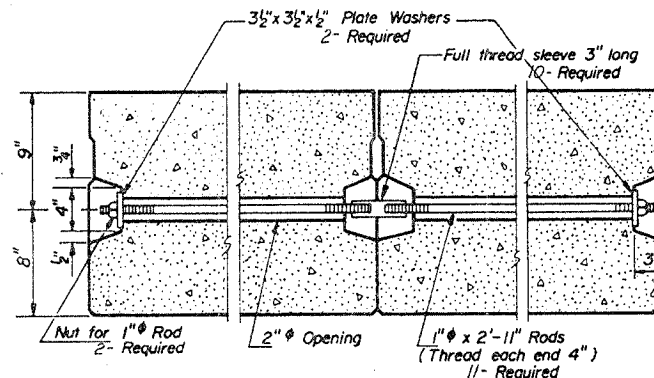
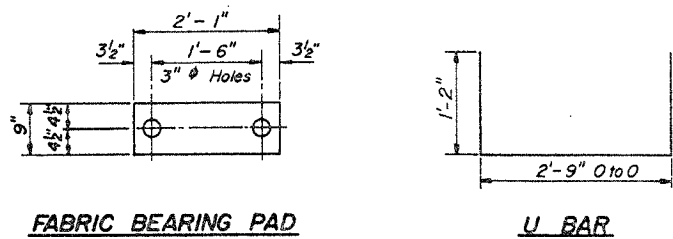


STATE OF ILLINOIS
DEPARTMENT OF PUBLIC WORKS & BUILDINGS
DIVISION OF HIGHWAYS

CONTRACT NO. 64B04

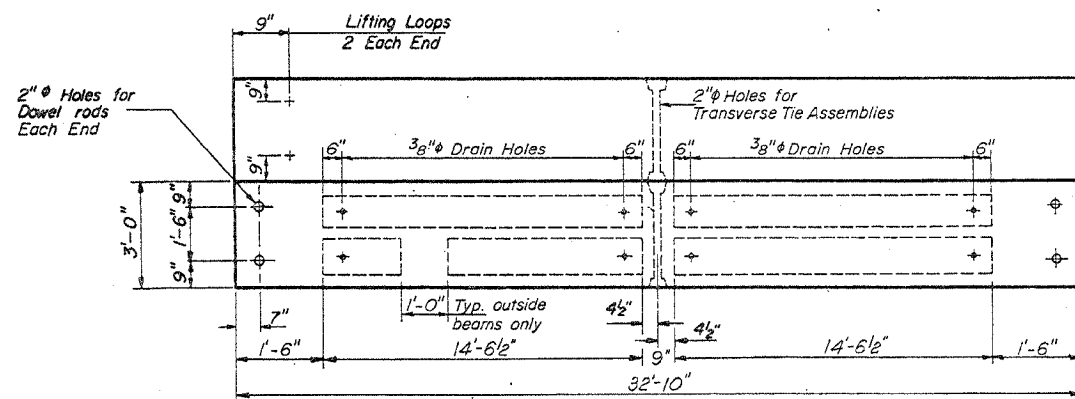
F.A.P. RTE.	SECTION	COUNTY	TOTAL SHEETS	SHEET NO.
301	22BR-1	STEPHENSON	32	18
STA.	TO STA.			
FED. ROAD DIST. NO.	ILLINOIS	FED. AID PROJECT		

SHEET NO. 2
5 SHEETS

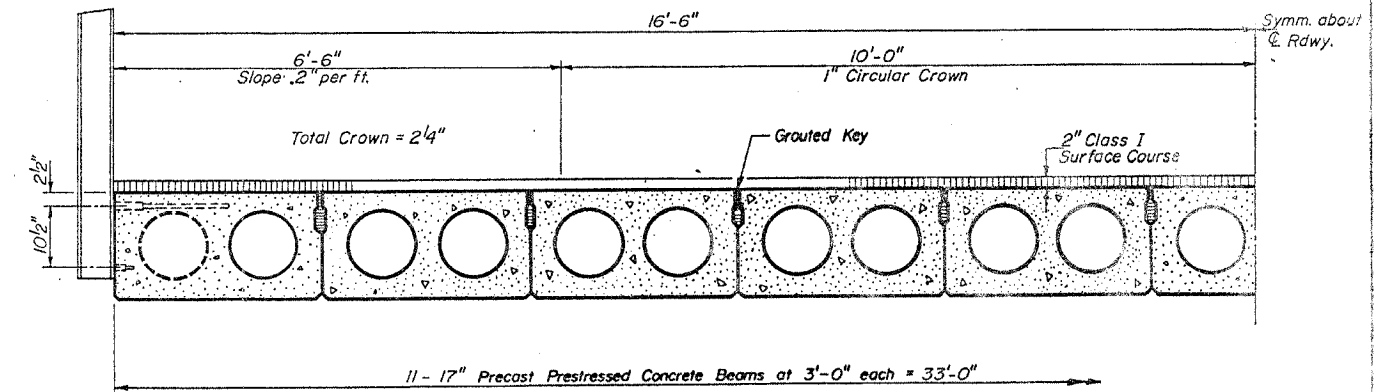


Fill exterior void of outside beams at each rail post. See Rail Post Insert Details on Sheet #2

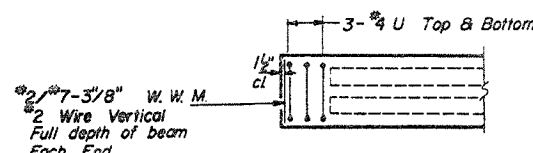
ELEVATION



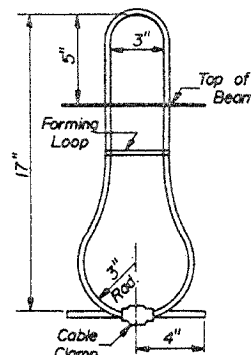
PARTIAL PLAN



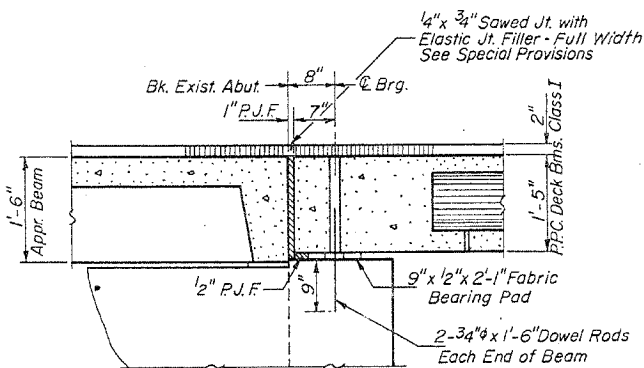
HALF CROSS SECTION



END PLAN



LIFTING LOOP DETAIL



SECTION THRU ABUT.
AT OUTSIDE BEAM

GENERAL NOTES

Prestressing steel shall be non-galvanized high strength, stress-relieved 7-wire strand. The nominal diameter shall be 7/8" and the nominal cross-sectional area shall be 0.109 sq. in. Lifting loops shall be 1/2" diameter, 6x19 class wire rope with fiber core and shall have a minimum ultimate tensile strength of 18,700 lbs. The 1" rods in the transverse tie assembly shall be tightened to a snug fit and the threads set. Pockets that receive transverse tie bar on outside beam shall be filled with grout after transverse tie assembly is in place. Longitudinal shear keys shall be packed with a very dry mix of 2-1 sand and P.C. mortar. After beams have been erected, holes for the dowel anchors shall be drilled into the sub-structure and the anchor dowels shall be grouted in place. Steel for dowel rods, transverse tie rods, and armor angles shall be S.A.E. 1020, structural steel A.S.T.M. Designation: A36, or intermediate grade A.S.T.M. Designation: A15. After fabrication the transverse tie assemblies (tie rods, nuts, washers and sleeves) shall be hot-dipped galvanized in accordance with A.S.T.M. Designation: A153. Cost of reinforcement and accessories cast into the beam, of bearing pads, of armor angles, and of grouting longitudinal shear keys is included in unit price bid for "Precast Prestressed Concrete Deck Beams."

BILL OF MATERIAL

Item	Unit	Quantity
Precast Prestressed Concrete Deck Beams	Sq. Ft.	1088
Removal of Existing Superstructure	Each	1

SUPERSTRUCTURE
S.B.I. RTE. SEC. 22 BR
STEPHENSON COUNTY
STA. 391+45

DESIGNED	James Pence	EXAMINED	Aug. 8 1968
CHECKED	Jack Armstrong	PASSED	Richard H. Holloman
DRAWN	J. L. Armstrong	APPROVED	Richard H. Holloman
CHECKED	JP		