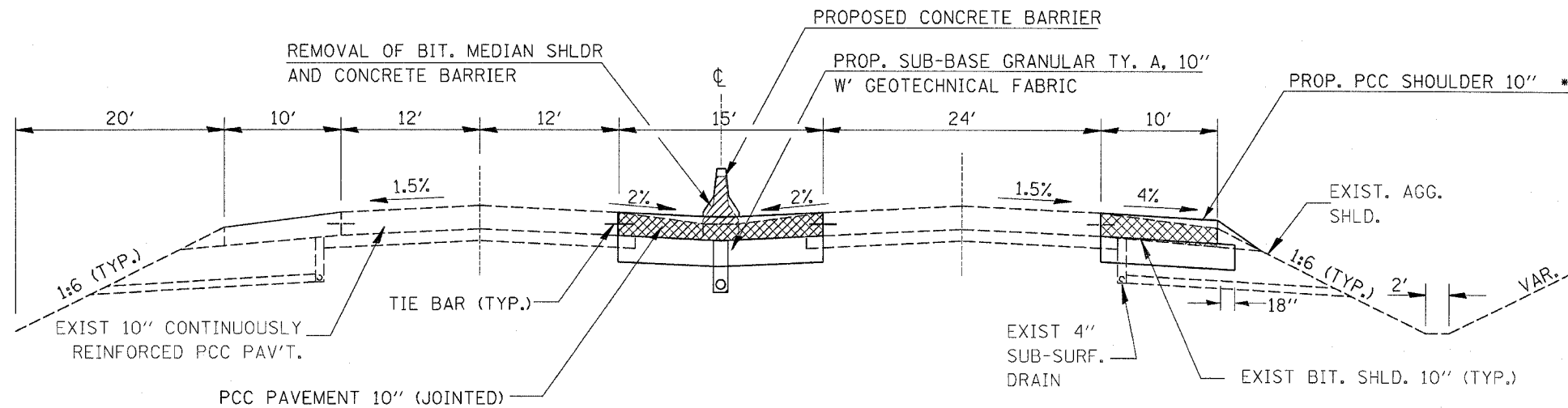


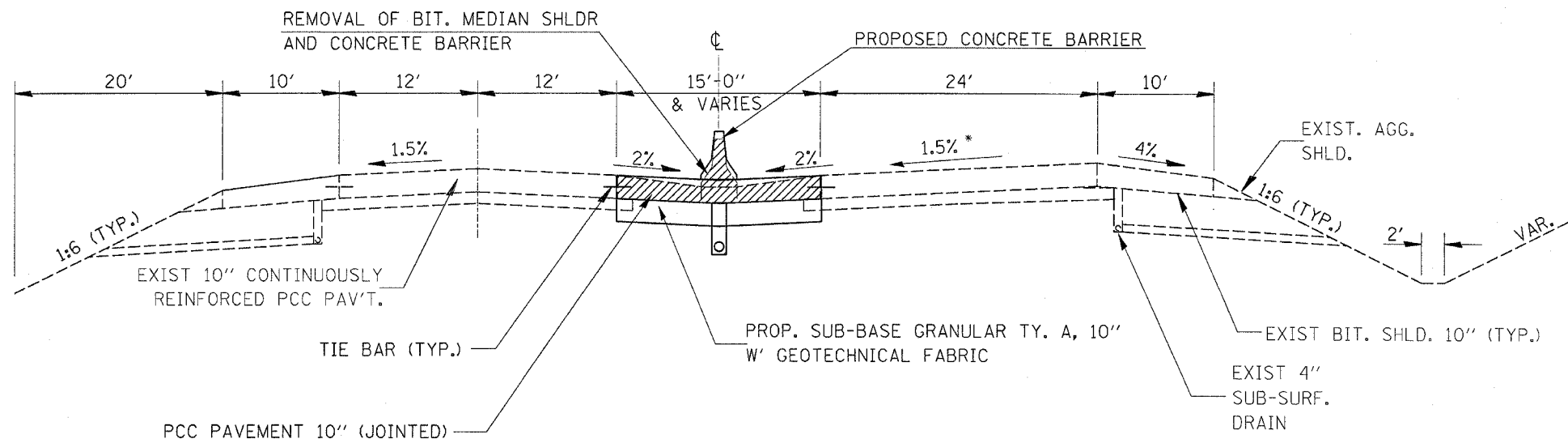
F.A. RTE.	SECTION	COUNTY	TOTAL SHEETS	SHEET NO.
39	150-411	LASALLE	33	8
STA.		TO STA.		
FED. ROAD DIST. NO.		ILLINOIS FED. AID PROJECT		



\* STA. 886+70 TO STA 888+50

### TYPICAL SECTION

BRIDGE STA. 884+62.69 TO STA. 885+05.49  
 STA. 886+50 TO STA. 888+50 SB  
 BRIDGE STA. 884+82.41 TO STA. 885+25.21  
 STA. 886+50 TO STA. 888+50 NB



### TYPICAL SECTION

STA. 888+50 TO STA. 893+25 SB  
 STA. 888+50 TO STA. 893+25 NB  
 TRANSITION TO FULL SUPER  
 FROM STA 890+64 TO STA 893+04.29 NB

REVISIONS	
NAME	DATE

ILLINOIS DEPARTMENT OF TRANSPORTATION

### TYPICAL SECTIONS

SCALE: VERT. DATE  
 HORIZ. CHECKED BY

DRAWN BY  
 CHECKED BY