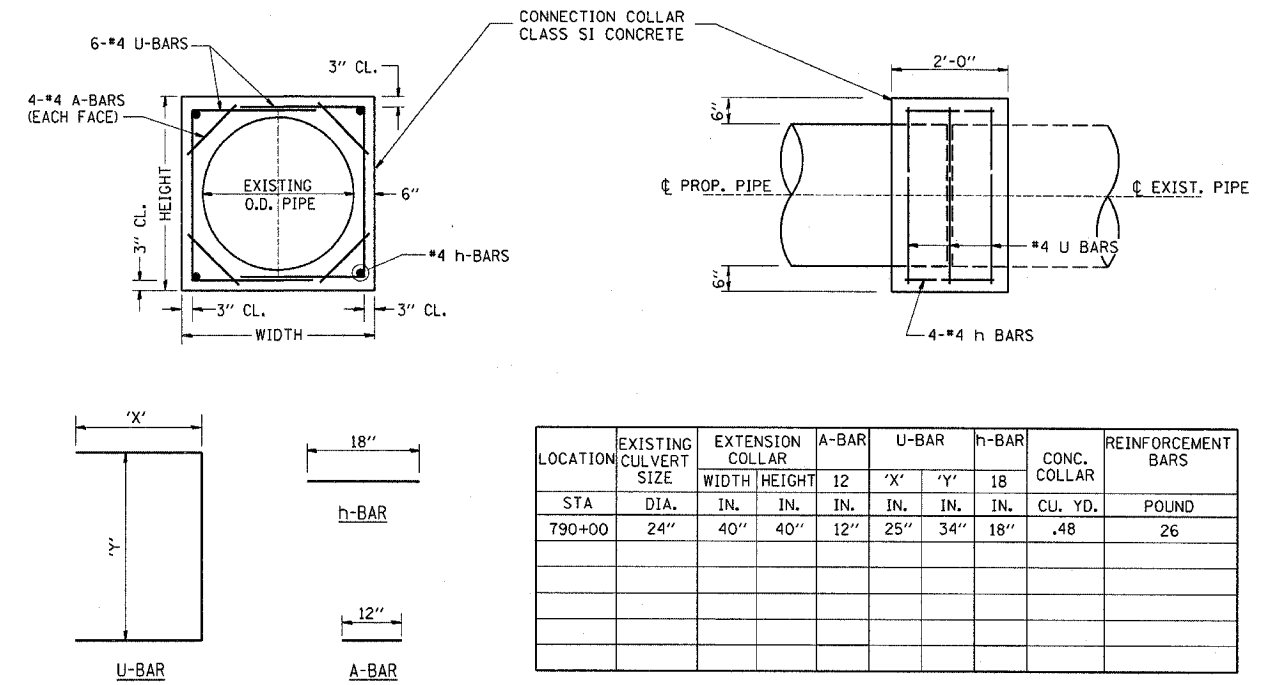
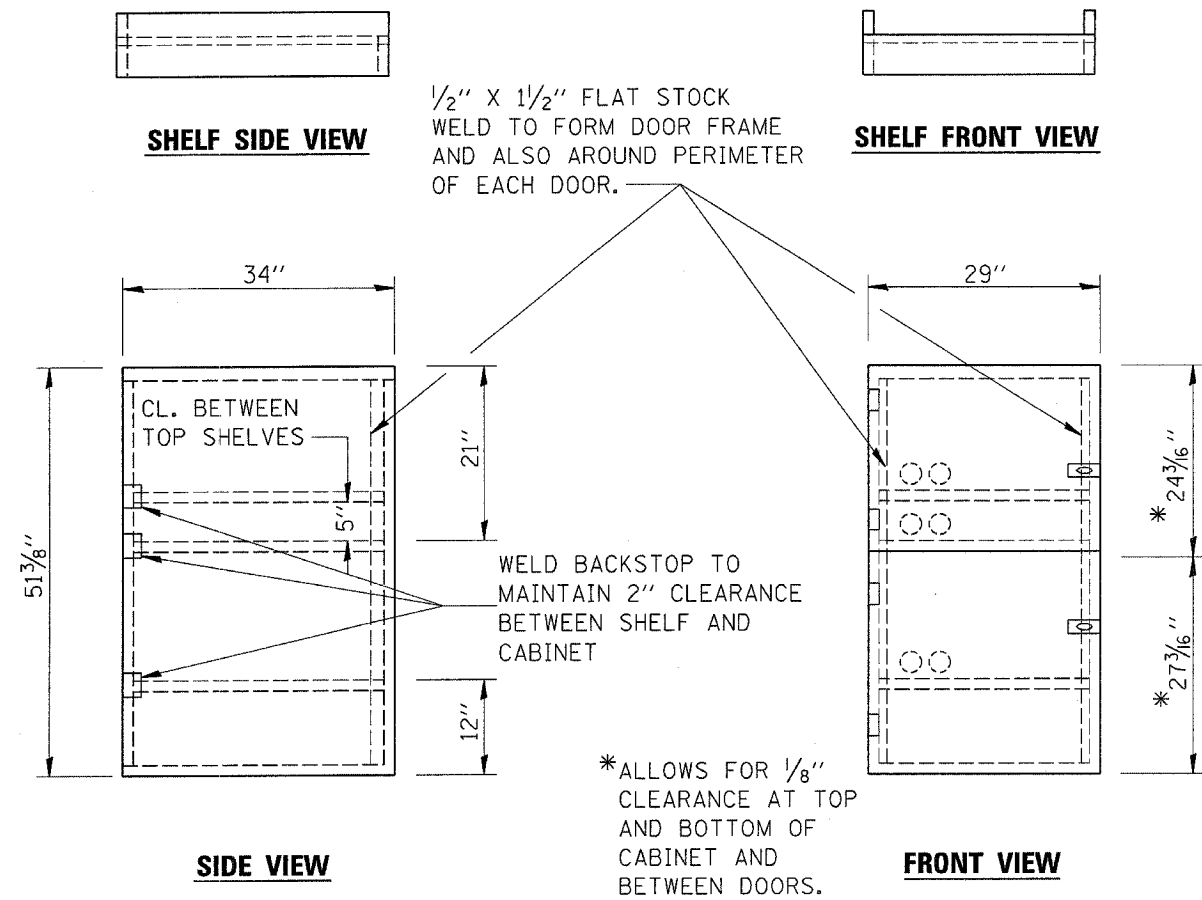
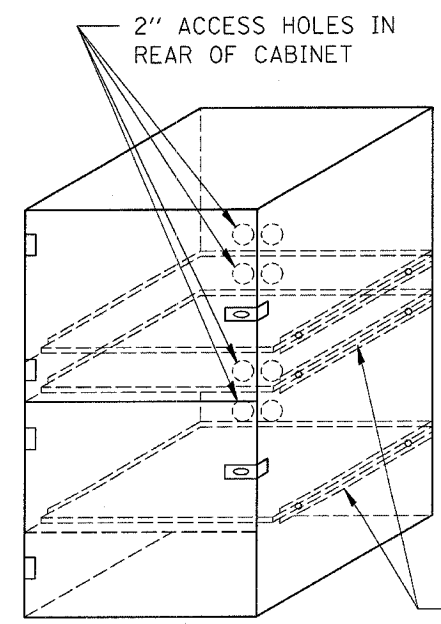


F.A. RTE.	SECTION	COUNTY	TOTAL SHEETS	SHEET NO.
39	(50-41)	LASALLE	33	15
STA.		TO STA.		
FED. ROAD DIST. NO.		ILLINOIS FED. AID PROJECT		



COLLAR DETAIL (DIRECT PIPE CULVERT EXTENSION)

- NOTES:
1. USE 16 GAUGE STEEL FOR CABINET.
 2. THE TOP SHELF SHALL SLIDE IN OR OUT WITH THE TOP DOOR OPEN.
 3. ALL HINGES AND HASPS WILL BE WELDED TO THE CABINET.
 4. ALL EDGES SHALL BE GROUND SMOOTH.
 5. TWO (2" DIA.) ACCESS HOLES WILL BE REQUIRED FOR EACH SHELF.
 6. CABINET SHALL BE PAINTED WITH TWO COATS OF FLAT PAINT.
 7. 2 EACH MATCHING KEY PADLOCKS, WITH 3 KEYS PROVIDED, MASTER MODEL 3 T OR EQUIVALENT.
 8. 4 EACH PLAIN STEEL, NON-REMOVABLE PIN, NO HOLE 4"x4" SQUARE CORNER HINGES TO BE WELDED ON.
 9. 2 EACH EXTRA HEAVY, PLAIN STEEL, FIXED STAPLE, NO HOLE, 7 1/4" HASPS TO BE WELDED ON.



LOCKABLE COMPUTER CABINET

REVISIONS		ILLINOIS DEPARTMENT OF TRANSPORTATION
NAME	DATE	
		<p align="center">DETAILS</p> <p>SCALE: VERT. DRAWN BY HORIZ. CHECKED BY DATE</p>

PLOT DATE : 4/21/2005
 FILE NAME : *FILEL*
 PLOT SCALE : *SCALE*
 USER NAME : *USER*