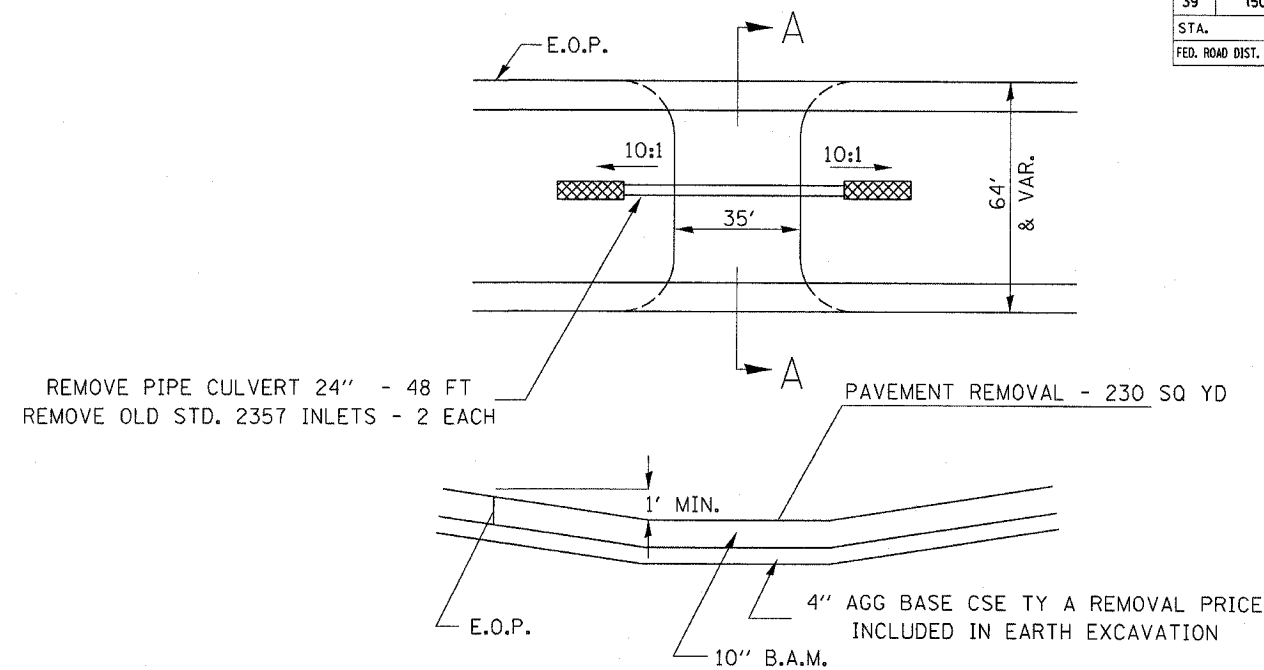
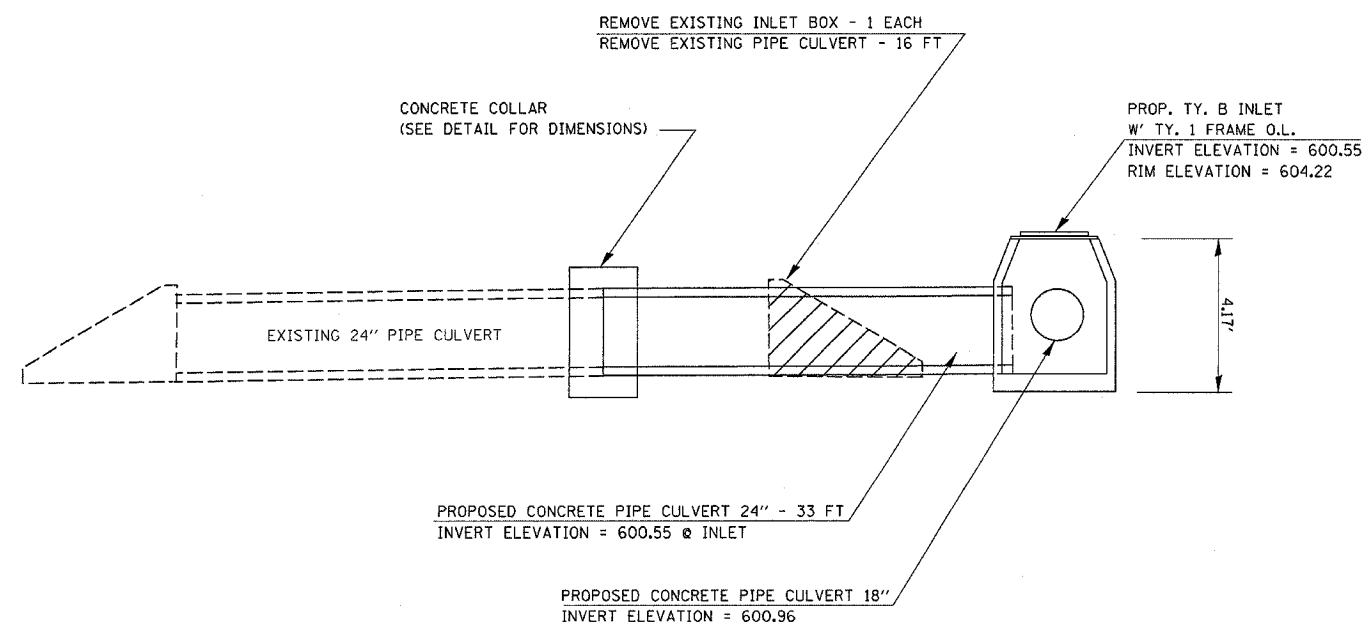


F.A. RTE.	SECTION	COUNTY	TOTAL SHEETS	SHEET NO.
39	(50-4)	LASALLE	33	16
STA.		TO STA.		
FED. ROAD DIST. NO.		ILLINOIS FED. AID PROJECT		



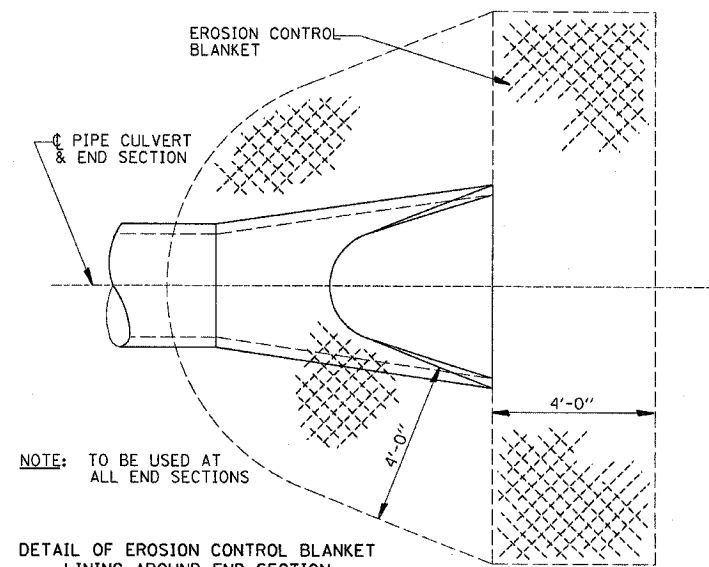
**MAINTENANCE CROSSOVER TO BE REMOVED**

STA. 785+00



**INLET AND PIPE CULVERT DRAINAGE DETAIL**

STA. 790+00



NOTE: TO BE USED AT ALL END SECTIONS

DETAIL OF EROSION CONTROL BLANKET LINING AROUND END SECTION

NOTE: PRC FLARED END SECTION SHOWN. TREATMENT SAME FOR OTHER END SECTIONS.

REVISIONS	
NAME	DATE

ILLINOIS DEPARTMENT OF TRANSPORTATION

**DETAILS**

SCALE: VERT. HORIZ. DATE

DRAWN BY CHECKED BY