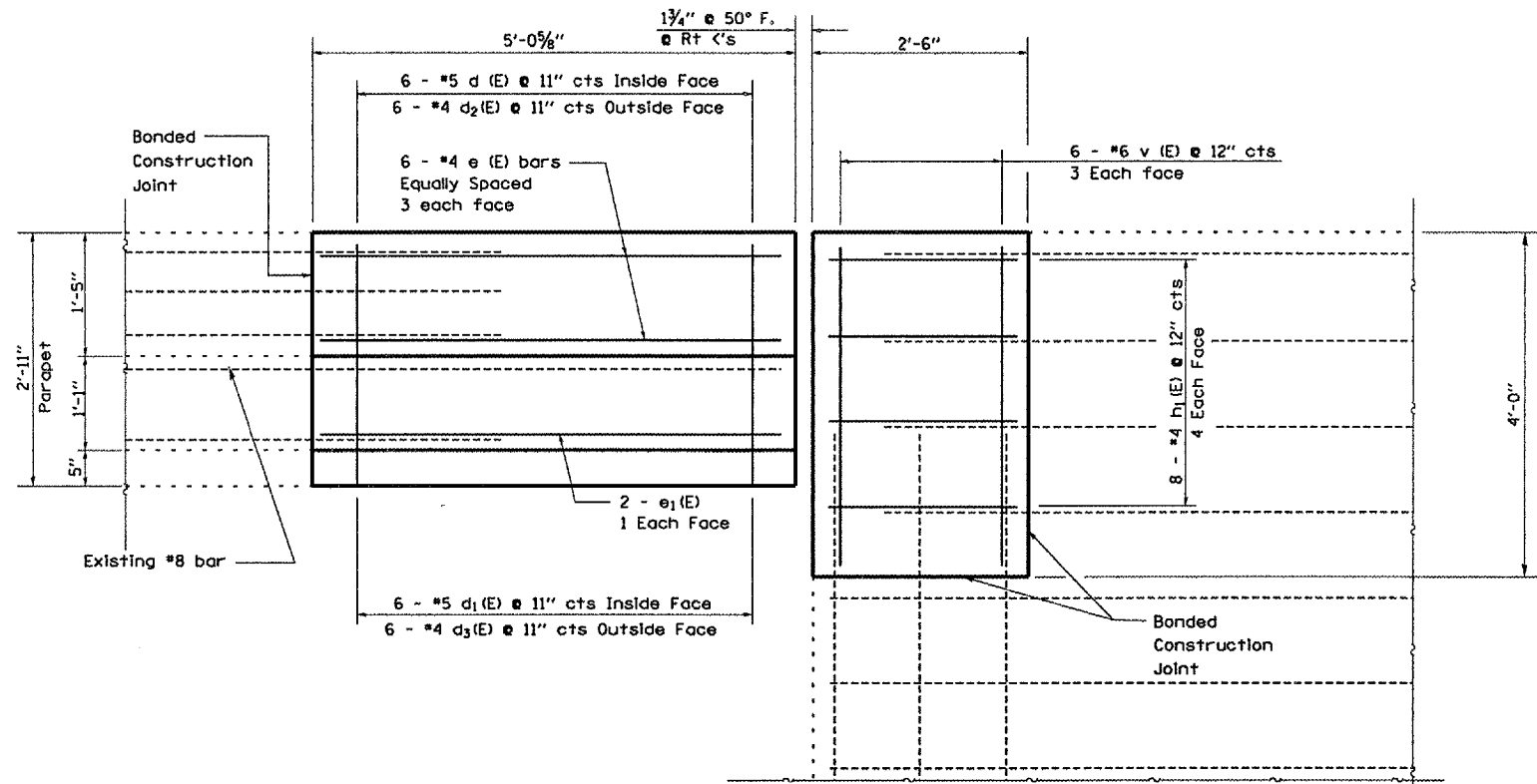
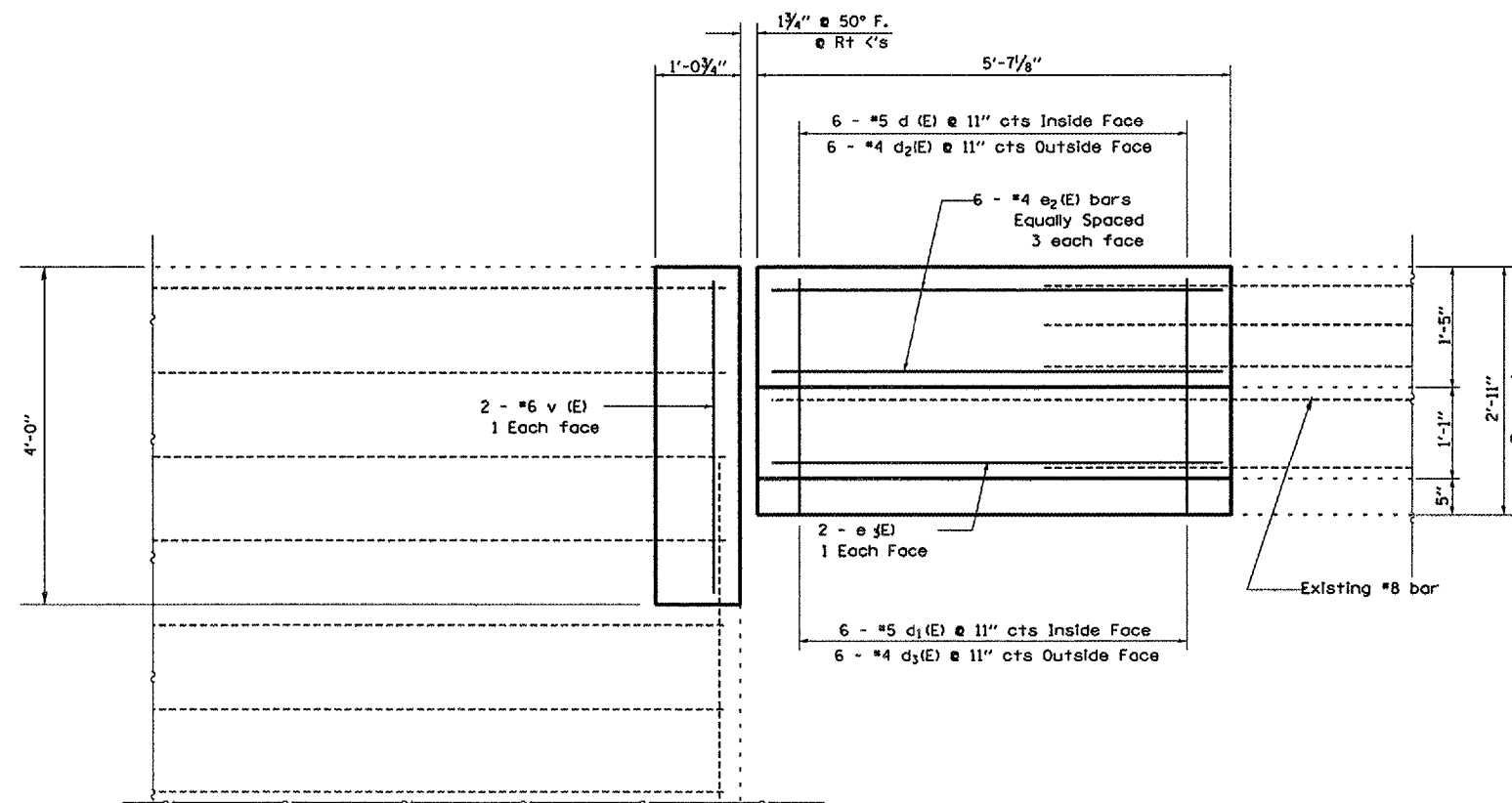


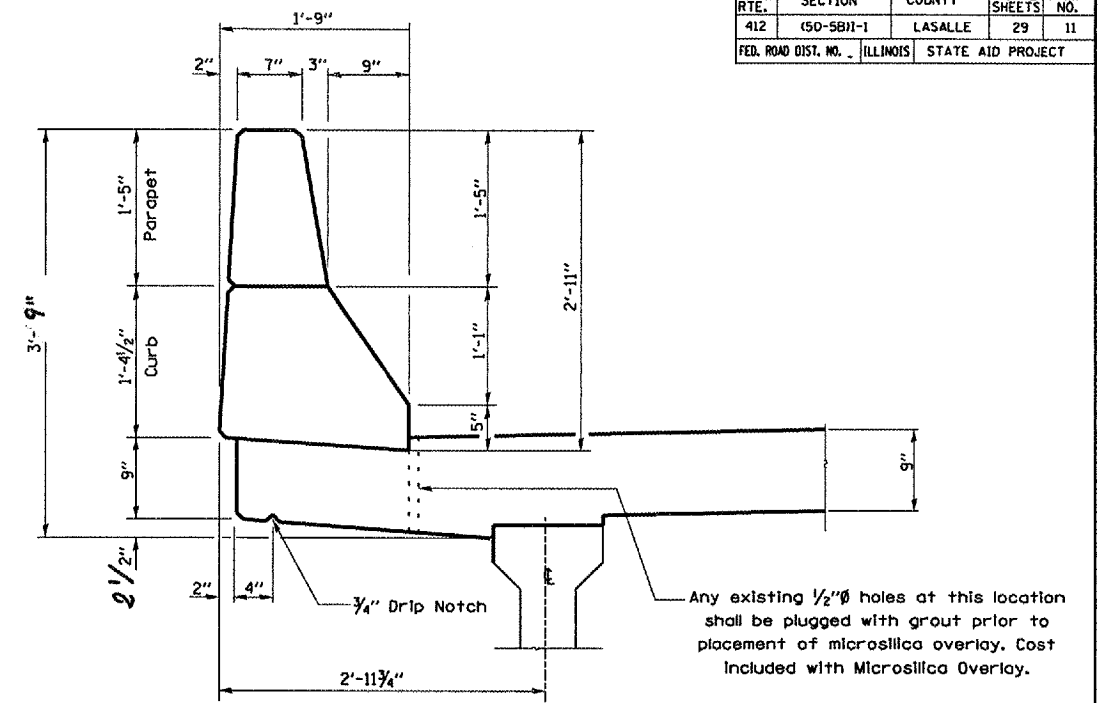
F.A.I. RTE.	SECTION	COUNTY	TOTAL SHEETS	SHEET NO.
412	(50-5B)I-1	LASALLE	29	11
FED. ROAD DIST. NO.		ILLINOIS	STATE AID PROJECT	



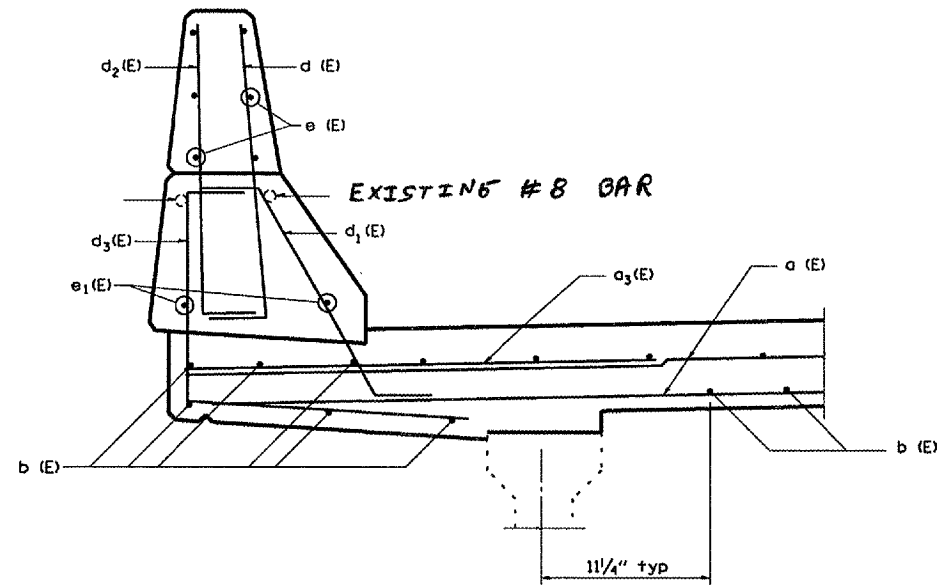
ELEVATION AT WEST PARAPET



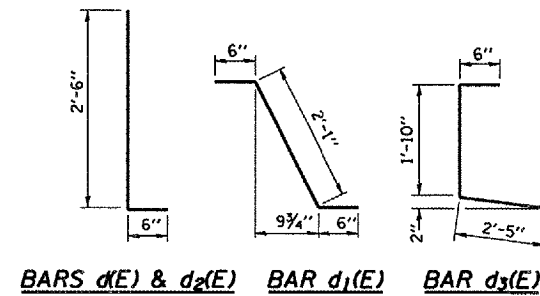
ELEVATION AT EAST PARAPET



SECTION B-B
DIMENSIONS



SECTION B-B
REINFORCEMENT



BARS d(E) & d2(E) BAR d1(E) BAR d3(E)

REVISIONS	
NAME	DATE

ILLINOIS DEPARTMENT OF TRANSPORTATION
RECONSTRUCTION - NORTH ABUT.
PARAPET DETAILS
 S.N. 050-0174
 F.A.I. 412 NORTHBOUND
 OVER C. & N.W. RAILROAD
 SECTION (50-5B)I-1
 STA. 1216 + 43.45
 DATE 04/24/2005
 DRAWN BY RW
 CHECKED BY

MARCH 30, 2005
 C:\PROJECTS\CM\1106\CM303\DETAILS.DGN