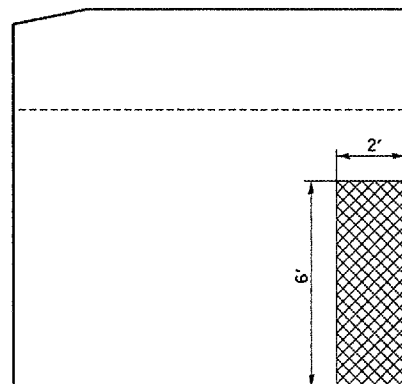
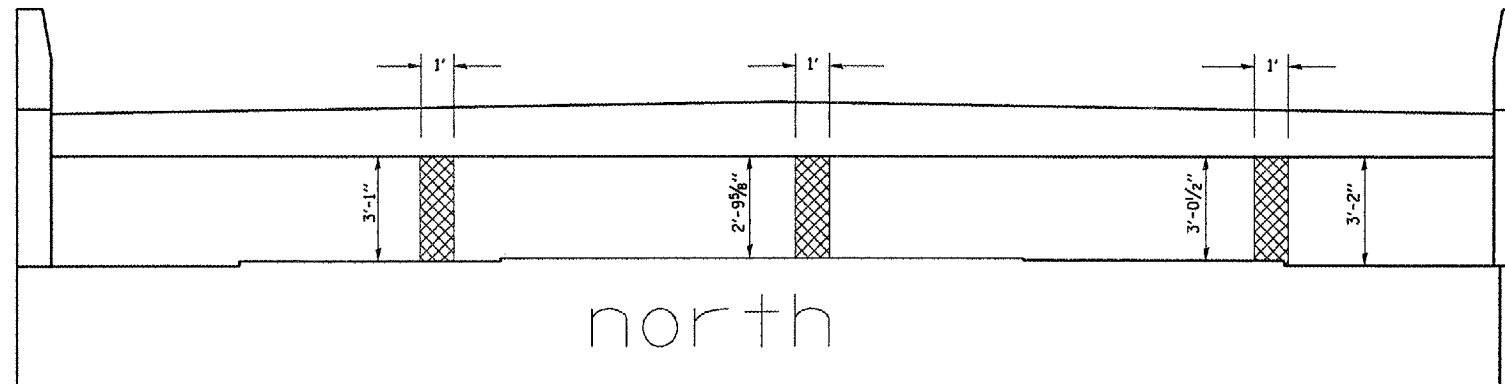


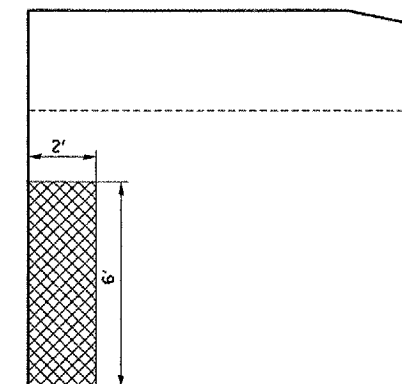
F.A.I. RTE.	SECTION	COUNTY	TOTAL SHEETS	SHEET NO.
412	(50-5B)I-1	LASALLE	29	18
FED. ROAD DIST. NO.		ILLINOIS	STATE AID PROJECT	



WEST WING



ELEVATION



EAST WING

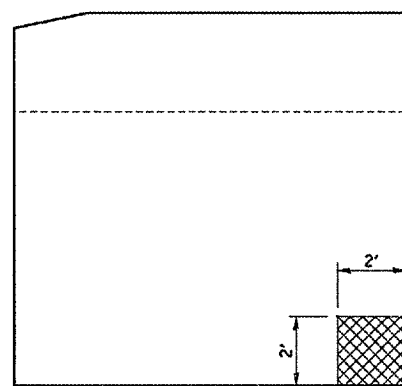
BILL OF MATERIAL N. ABUTMENT

Item	Unit	Total
Formed Concrete Repair (Depth ≤ 5")	Sq. Ft.	33

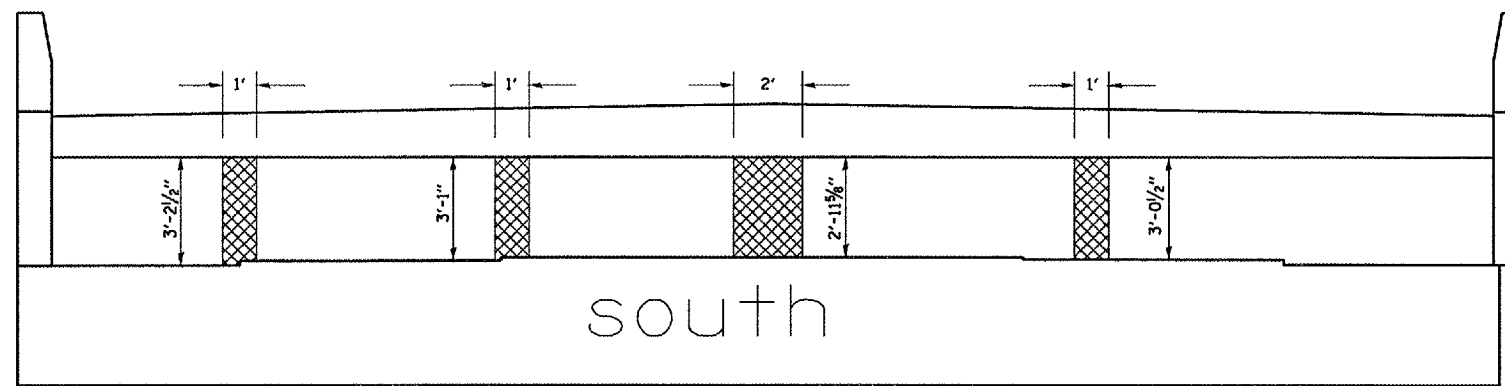
NORTH ABUTMENT



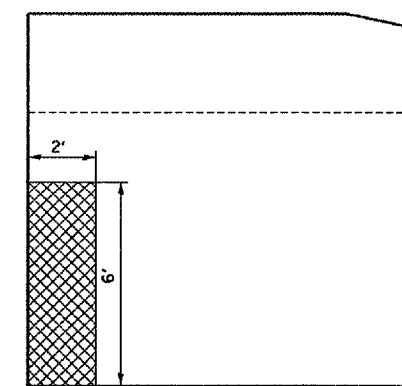
FORMED CONCRETE REPAIR ≤ 5"



EAST WING



ELEVATION



WEST WING

BILL OF MATERIAL S. ABUTMENT

Item	Unit	Total
Formed Concrete Repair (Depth ≤ 5")	Sq. Ft.	32

SOUTH ABUTMENT

REVISIONS	
NAME	DATE

ILLINOIS DEPARTMENT OF TRANSPORTATION
ABUTMENT WALL REPAIR
 S.N. 050-0174
 F.A.I. 412 NORTHBOUND
 OVER C. & N.W. RAILROAD
 SECTION (50-5B)I-1
 STA. 1216 + 43.45

DATE 04/24/2005

DRAWN BY RW
 CHECKED BY

MARCH 30, 2005
 C:\PROJECTS\CMA IN06\CM303\DETAILS.DGN