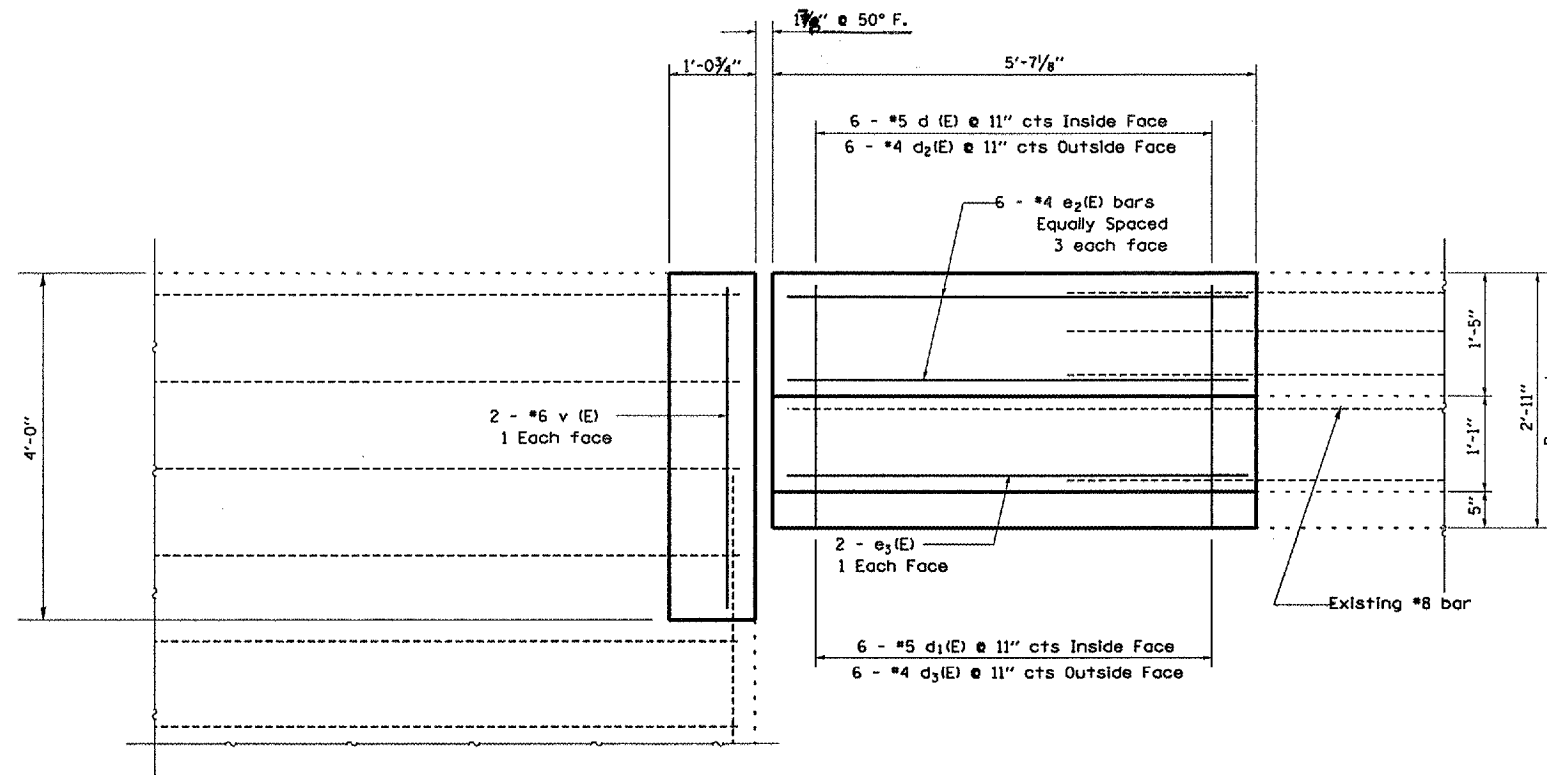
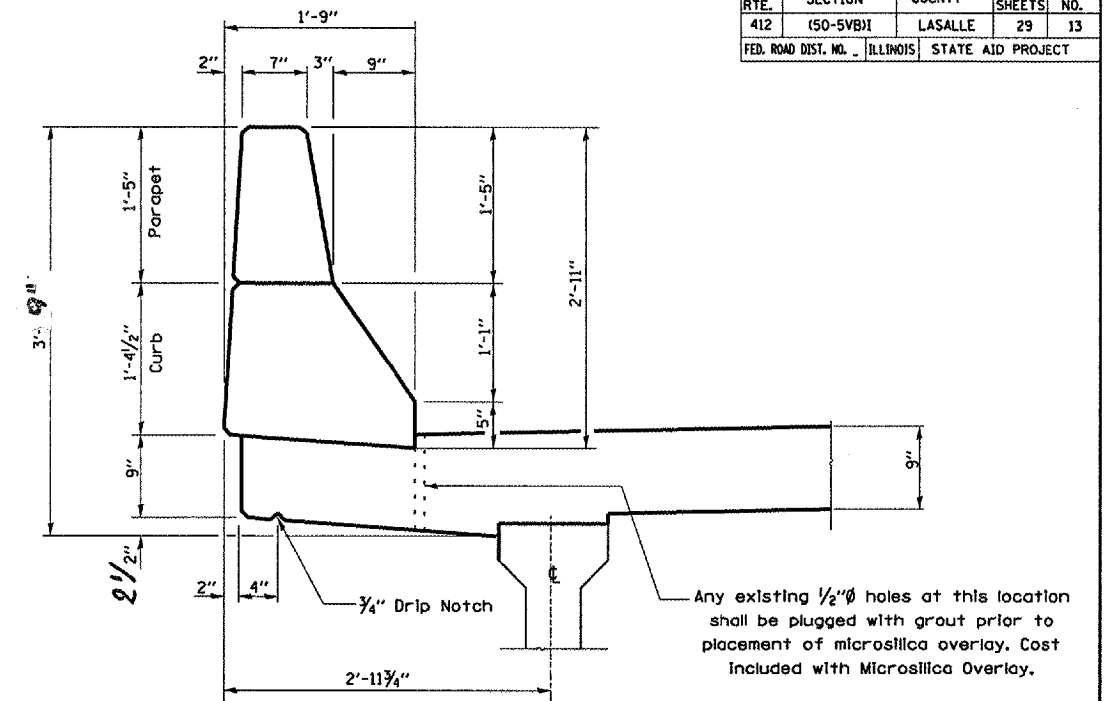


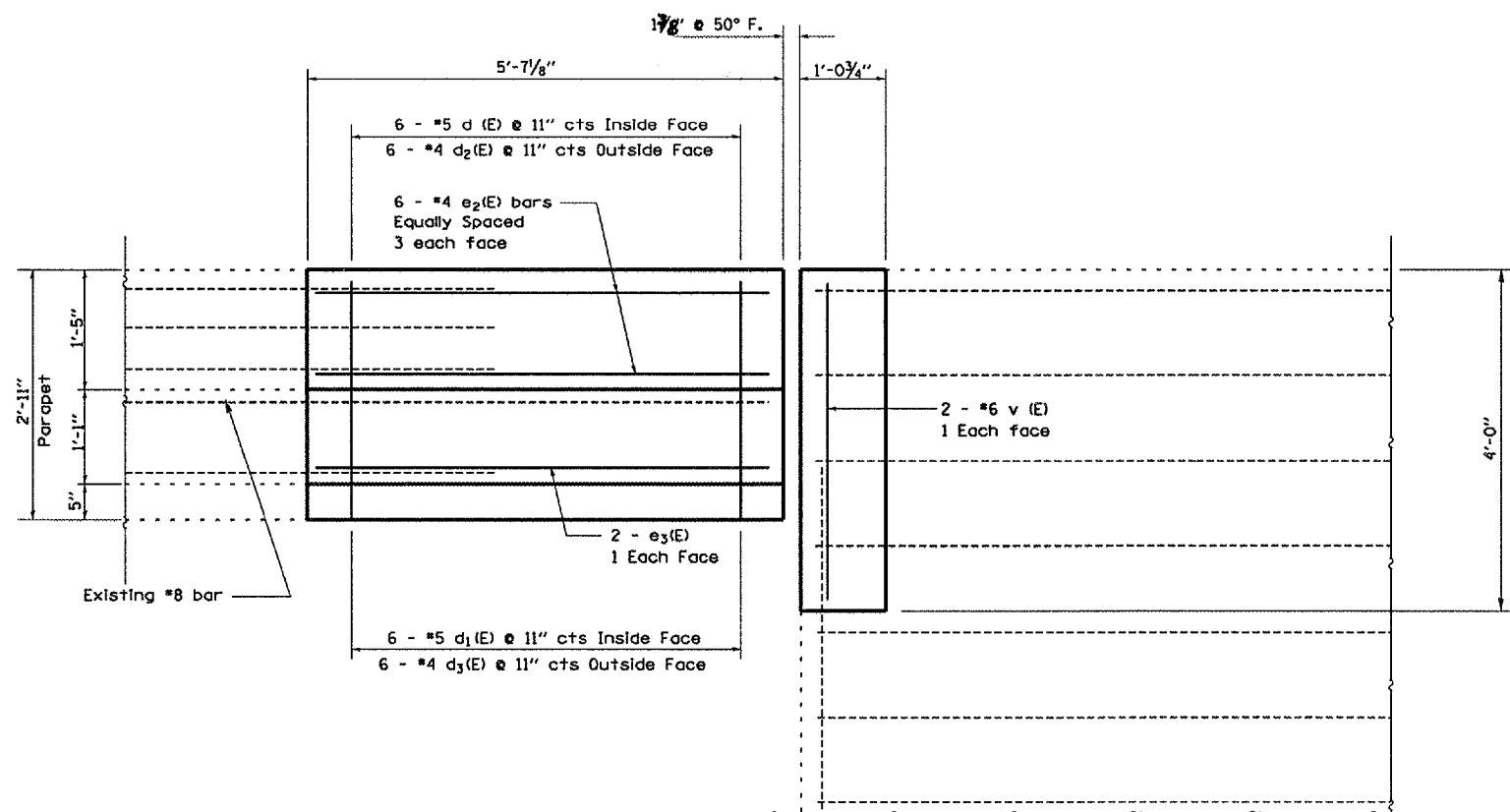
F.A.I. RTE.	SECTION	COUNTY	TOTAL SHEETS	SHEET NO.
412	(50-5B)I	LASALLE	29	13
FED. ROAD DIST. NO.		ILLINOIS	STATE AID PROJECT	



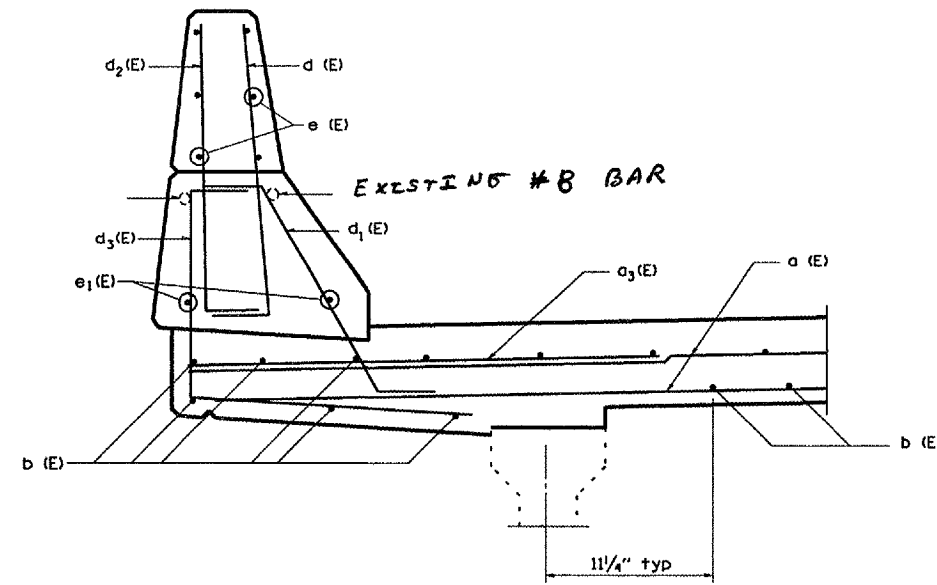
ELEVATION AT WEST PARAPET



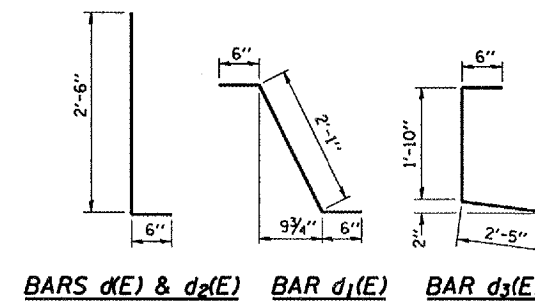
SECTION B-B
DIMENSIONS



ELEVATION AT EAST PARAPET



SECTION B-B
REINFORCEMENT



BARS d(E) & d₂(E) BAR d₁(E) BAR d₃(E)

REVISIONS	
NAME	DATE

ILLINOIS DEPARTMENT OF TRANSPORTATION
RECONSTRUCTION - SOUTH ABUT.
PARAPET DETAILS
 F.A.I. 412 SOUTHBOUND
 OVER C. & N.W. RAILROAD
 SECTION (50-5B)I
 STA. 1216 + 43.45
 DATE 04/24/2005
 DRAWN BY RW
 CHECKED BY