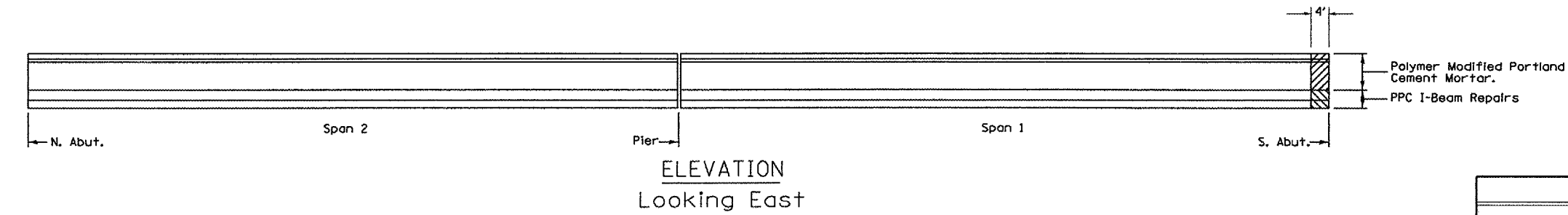


F.A.I. RTE.	SECTION	COUNTY	TOTAL SHEETS	SHEET NO.
412	(50-5B)I	LASALLE	29	15
FED. ROAD DIST. NO.		ILLINOIS	STATE AID PROJECT	

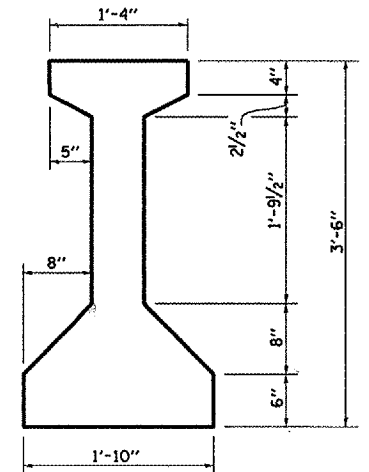
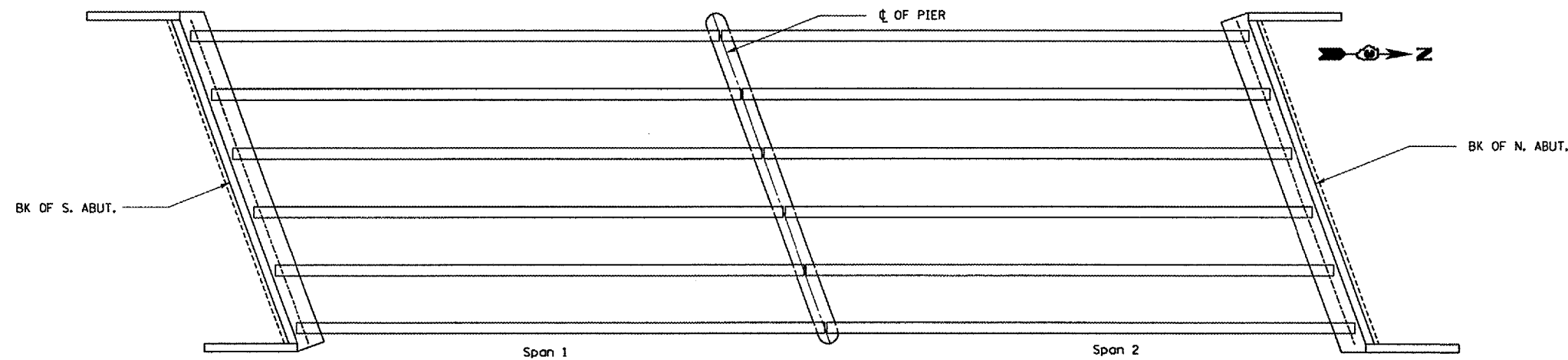


BILL OF MATERIAL

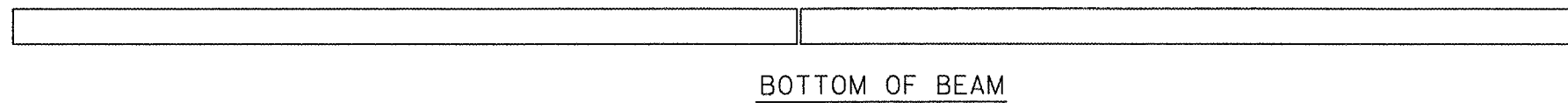
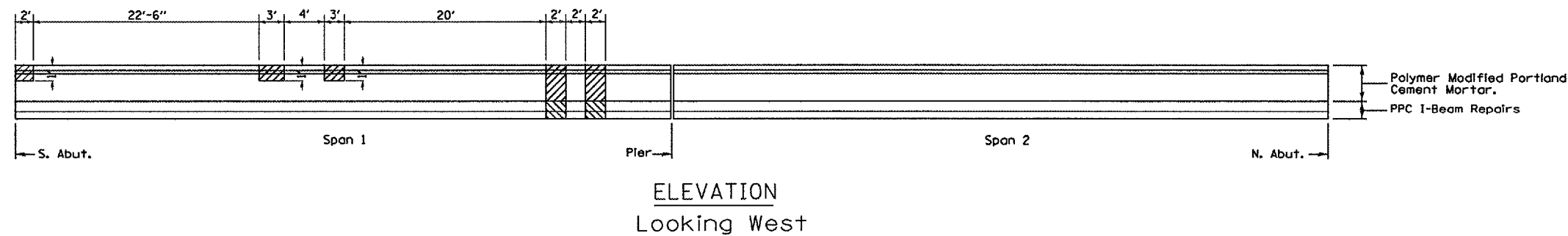
Item	Unit	Total
PPC I-Beam Repairs	L.S.	1
Polymer Modified Portland Cement Mortar	Sq. Ft.	27

WEST FASCIA BEAM
EXTERIOR FACE

POLYMER MODIFIED PORTLAND CEMENT MORTAR
 PPC I-BEAM REPAIR



42" PPC BEAM



EAST FASCIA BEAM
EXTERIOR FACE

REVISIONS	
NAME	DATE

ILLINOIS DEPARTMENT OF TRANSPORTATION
PPC DECK BEAM REPAIR
F.A.I. 412 SOUTHBOUND
OVER C. & N.W. RAILROAD
SECTION (50-5B)I
STA. 1216 + 43.45

DATE 04/24/2005

DRAWN BY RW
CHECKED BY

MARCH 24, 2005
C:\PROJETS\CM3\CM302\DETAILS.DGN