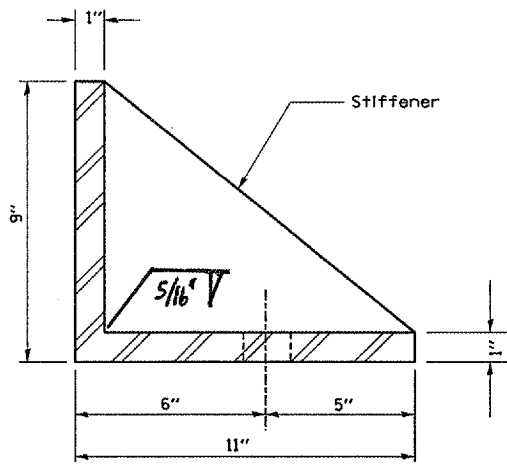
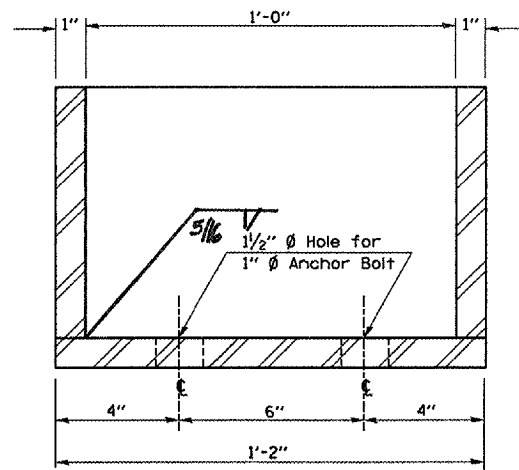


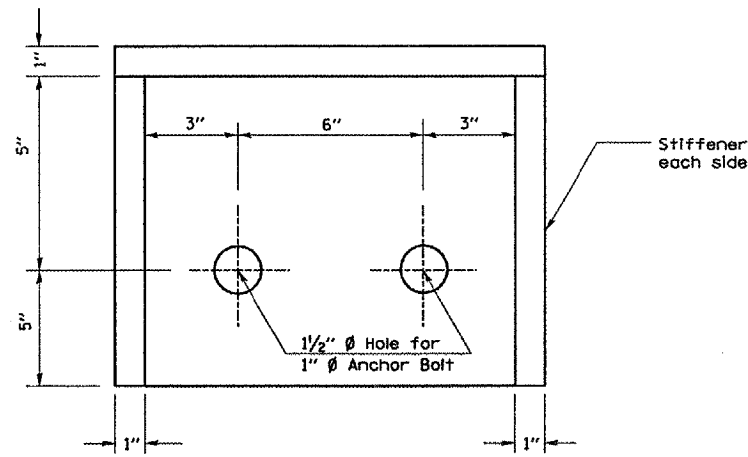
F.A.I. RTE.	SECTION	COUNTY	TOTAL SHEETS	SHEET NO.
412	(50-5B)I	LASALLE	29	20
FED. ROAD DIST. NO. _		ILLINOIS	STATE AID PROJECT	



SIDE VIEW



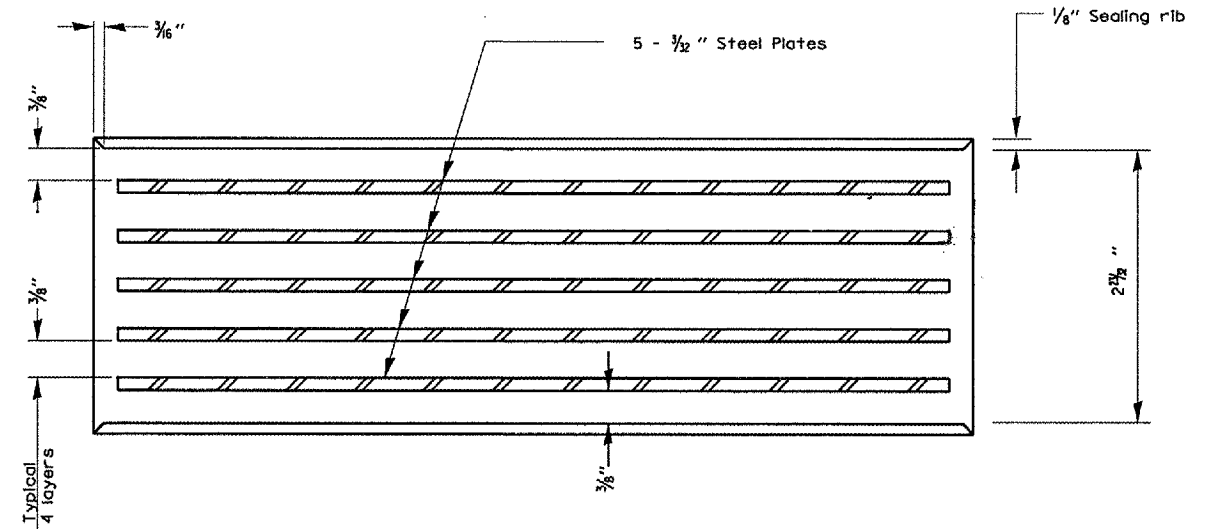
FRONT VIEW



PLAN VIEW

The cost of side retainers and anchor bolts is included with Elastomeric Bearing Assembly Type I

BRACKET DETAIL
 11" X 9" X 1" X 1'-2"
 24 REQUIRED



ELASTOMERIC BEARING PAD
 2²³/₃₂ " X 6³/₄ " X 1'-6"
 12 REQUIRED

BILL OF MATERIAL

Item	Unit	Total
Elastomeric Bearing Assembly Type I	Each	12

REVISIONS	
NAME	DATE

ILLINOIS DEPARTMENT OF TRANSPORTATION
BEARING REPLACEMENT DETAILS
 F.A.I. 412 SOUTHBOUND
 OVER C. & N.W. RAILROAD
 SECTION (50-5B)I
 STA. 1216 + 43.45
 DATE 04/24/2005
 DRAWN BY RW
 CHECKED BY

MARCH 24, 2005
 C:\PROJECTS\CMA\IN06\CM302\DETAILS.DGN