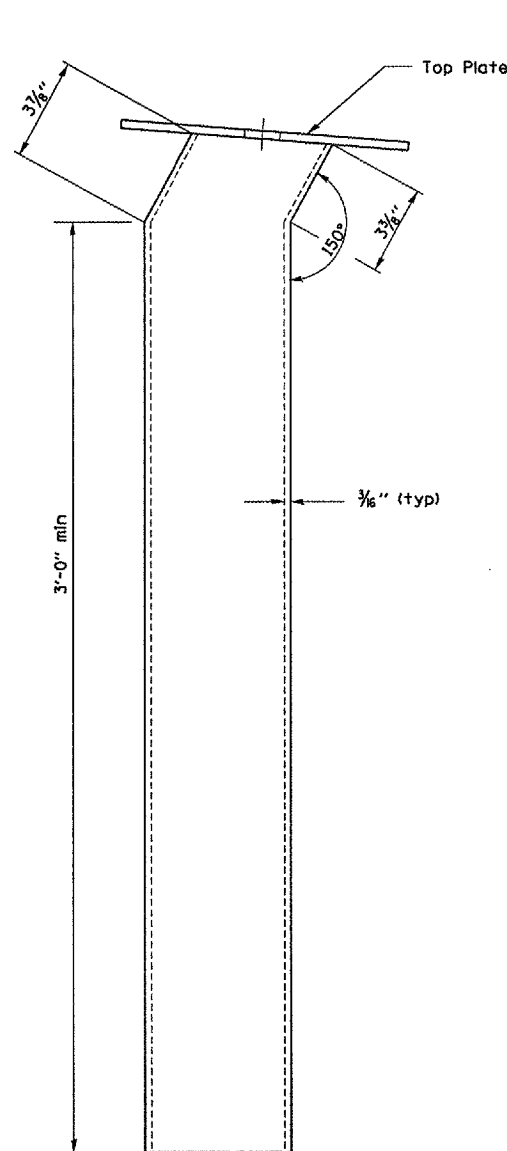
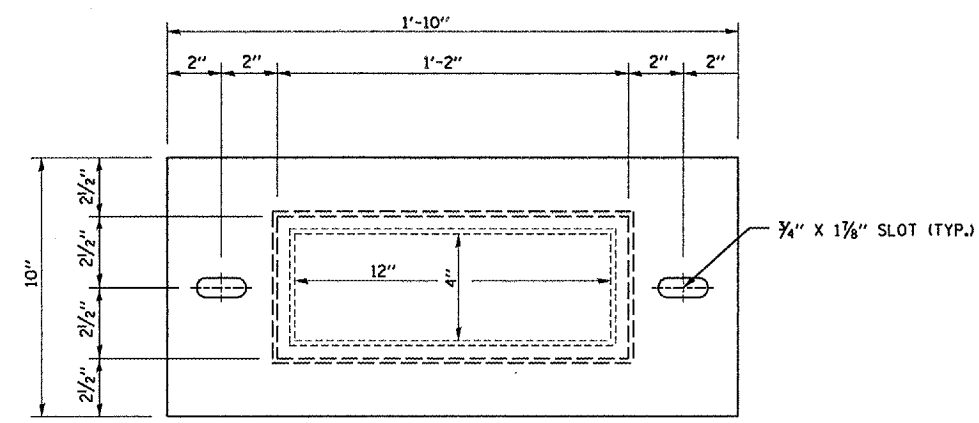


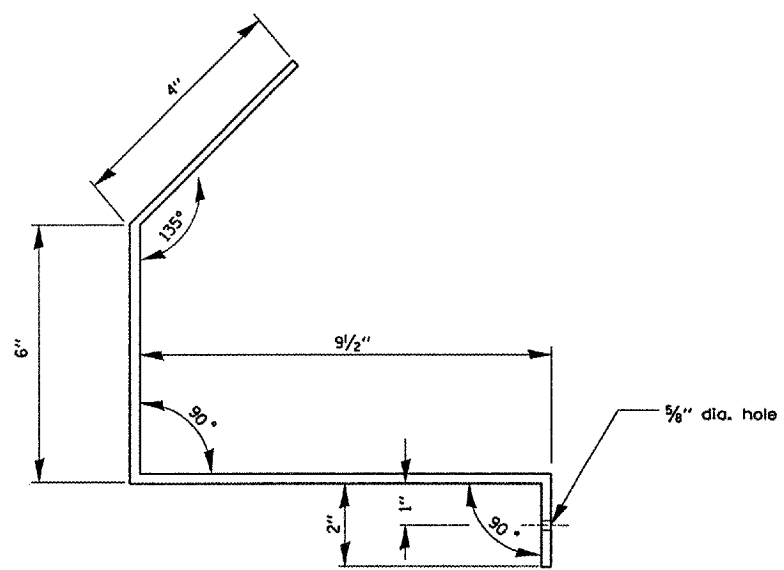
F.A.I. RTE.	SECTION	COUNTY	TOTAL SHEETS	SHEET NO.
412	(50-5B)I	LASALLE	29	22
FED. ROAD DIST. NO. - ILLINOIS		STATE AID PROJECT		



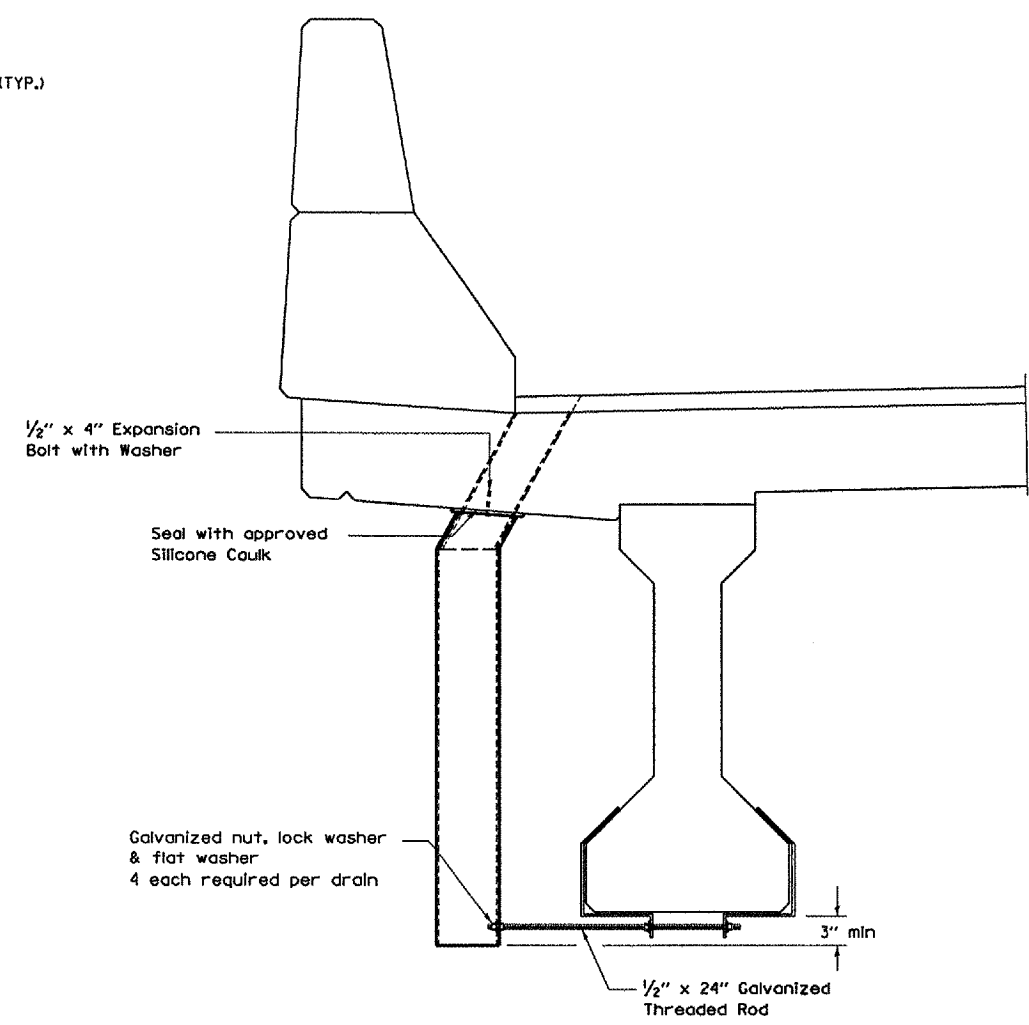
SIDE ELEVATION



PLAN



BRACKET



SECTION AT PARAPET

DECK DRAIN EXTENSION

REVISIONS	
NAME	DATE

ILLINOIS DEPARTMENT OF TRANSPORTATION
DECK DRAIN EXTENSION DETAILS
 F.A.I. 412 SOUTHBOUND
 OVER C. & N.W. RAILROAD
 SECTION (50-5B)I
 STA. 1216 + 43.45
 DATE 04/24/2005
 DRAWN BY RW
 CHECKED BY

MARCH 24, 2005
 C:\PROJETS\CM\IND06\CM302\DETA ILS.DGN