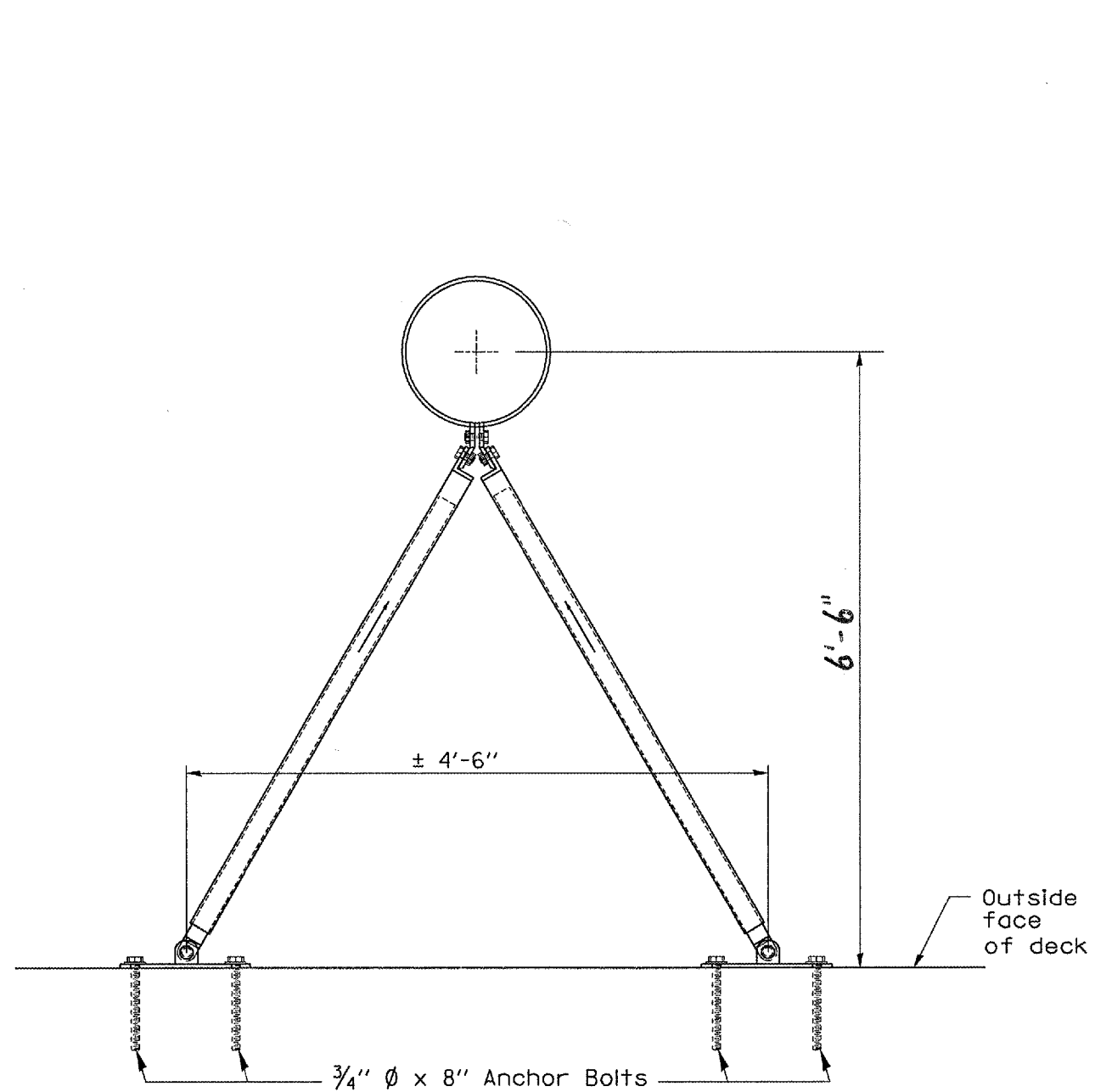
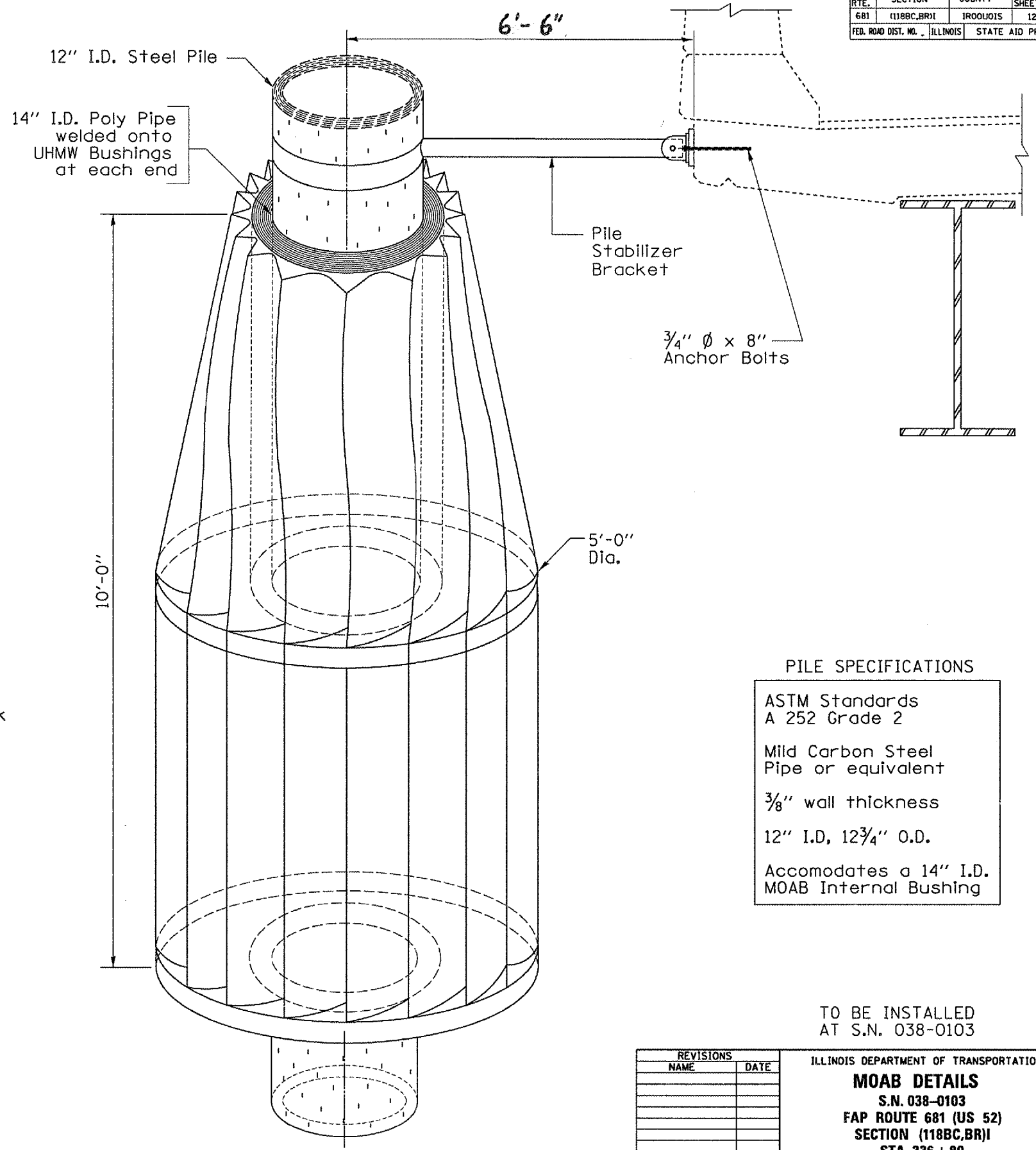


CONTRACT NO. 66572				
F.A.P. RTE.	SECTION	COUNTY	TOTAL SHEETS	SHEET NO.
681	(118BC,BR)I	IROQUOIS	12	6*
FED. ROAD DIST. NO.	ILLINOIS	STATE AID PROJECT		



Epoxy grout anchor bolts in 8" min. holes according to Article 584 of the Standard Specifications.
 Cost of stabilizer bracket, anchor bolts, and installation included with Debris Deflection System, Complete.



PILE SPECIFICATIONS

ASTM Standards
 A 252 Grade 2
 Mild Carbon Steel
 Pipe or equivalent
 3/8" wall thickness
 12" I.D., 12 3/4" O.D.
 Accomodates a 14" I.D.
 MOAB Internal Bushing

GENERAL NOTES

Steel Piling to be driven at the locations and to the elevation shown on plan details.

Steel piling shall be driven according to Section 512 of the Standard Specifications and backfilled with Class SI Concrete.

MOAB, Bracket and installation on piles provided by DEBRIS FREE, INC. OJAI, CA.

TO BE INSTALLED
 AT S.N. 038-0103

REVISIONS	
NAME	DATE

ILLINOIS DEPARTMENT OF TRANSPORTATION
MOAB DETAILS
 S.N. 038-0103
 FAP ROUTE 681 (US 52)
 SECTION (118BC,BR)I
 STA. 336 + 80

DATE 04/01/2005 DRAWN BY RLW

DATE: 04/01/2005
 C:\PROJECTS\CHINA\CHINA\DETAILS.DWG