

CONTRACT NO. 66572				
F.A.P. RTE.	SECTION	COUNTY	TOTAL SHEETS	SHEET NO.
681	(118BC,BR)I	IROQUOIS	12	1

**STATE OF ILLINOIS
DEPARTMENT OF TRANSPORTATION
DIVISION OF HIGHWAYS**

**PROPOSED
HIGHWAY PLANS**

**FAP ROUTE 681 (US 52)
SECTION (118BC,BR)I**

IROQUOIS COUNTY

C - 93 - 078 - 05

MOAB INSTALLATION

(DEBRIS DEFLECTION SYSTEM)

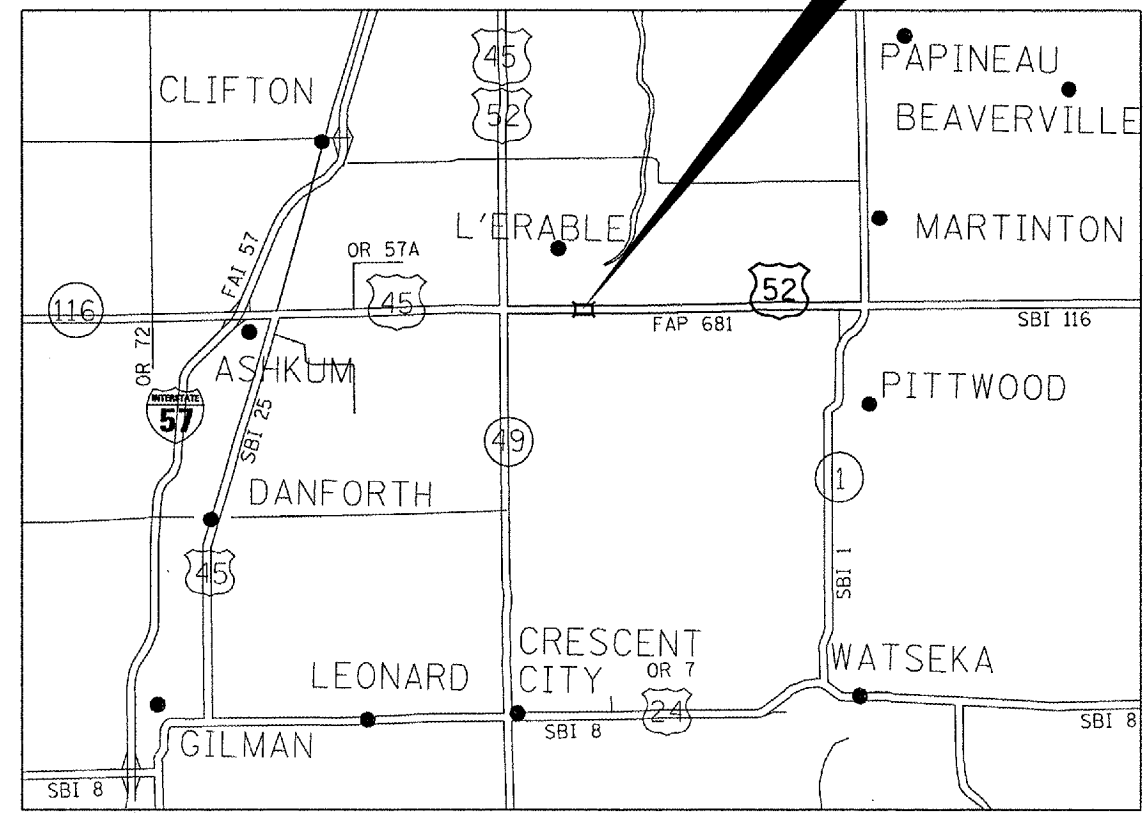
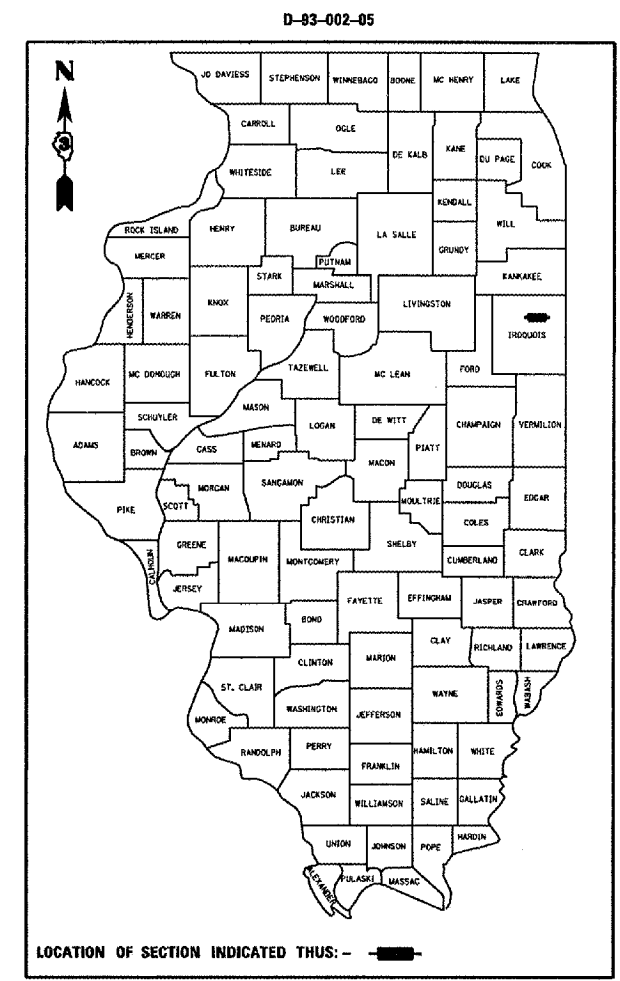
**PROJECT LOCATION
S.N. 038-0103
1.7 MI EAST OF IL ROUTE 49**

INDEX OF SHEETS

1. COVER SHEET
2. GENERAL NOTES
3. SUMMARY OF QUANTITIES
4. PLAN AND ELEVATION
5. PIER DETAILS
6. MOAB DETAILS
7. EXISTING BORING LOGS
8. US ROUTE 52 DETOUR, ROAD CLOSURE DETAILS
9. US ROUTE 52 DETOUR, US 24 & IL 49 INTERSECTION
10. US ROUTE 52 DETOUR, US 52 & US 45/52 INTERSECTION
11. US ROUTE 52 DETOUR, US 52 & IL 1 INTERSECTION
12. US ROUTE 52 DETOUR, US 24 & IL 1 INTERSECTION

STANDARDS

- | | |
|-----------|--|
| 701001-01 | OFF-ROAD OPERATIONS 2L, 2W, MORE THAN 4.5 m (15') AWAY |
| 701006-02 | OFF-ROAD OPERATIONS 2L, 2W, 4.5 m (15') TO 600 mm (24") FROM PAVEMENT EDGE |
| 701301-02 | LANE CLOSURE, 2L, 2W, SHORT TIME OPERATIONS |
| 702001-05 | TRAFFIC CONTROL DEVICES |



**LOCATION MAP
NOT TO SCALE**

MICROFILMED _____
REEL NUMBER _____
AWARDED _____
RESIDENT ENGINEER _____
AS BUILT CHANGES WERE MADE
ON THE FOLLOWING SHEETS _____

J.U.L.I.E.
JOINT UTILITY LOCATION INFORMATION FOR EXCAVATION
1-800-892-0123

DISTRICT 3 NO. (815) 434-6131

PROJECT ENGINEER: TOM HUFNAGEL (815)-434-8418
UNIT CHIEF: RON WOODSHANK (815)-434-8419

CONTRACT NO. 66572

**STATE OF ILLINOIS
DEPARTMENT OF TRANSPORTATION
DIVISION OF HIGHWAYS**

SUBMITTED 5/19 of 20 05
James Marts
DEPUTY DIRECTOR OF HIGHWAYS, REGION ENGINEER

July 1, 2005
Mike Hine
ENGINEER OF DESIGN AND ENVIRONMENT

July 1, 2005
Victor Mader
DIRECTOR OF HIGHWAYS, CHIEF ENGINEER

**PRINTED BY THE AUTHORITY
OF THE STATE OF ILLINOIS**

DATE: 8/27/05
C:\PROJECTS\CHANGES\CHANGES\DETAILS.DWG

CONTRACT NO. 66572				
F.A.P. RTE.	SECTION	COUNTY	TOTAL SHEETS	SHEET NO.
681	(118BC, BR)I	IROQUOIS	12	2
FED. ROAD DIST. NO.	ILLINOIS	STATE AID PROJECT		

GENERAL NOTES

PLAN DIMENSIONS AND DETAILS RELATIVE TO THE EXISTING ROADWAY AND STRUCTURE HAVE BEEN TAKEN FROM EXISTING PLANS AND ARE SUBJECT TO NOMINAL CONSTRUCTION VARIATIONS. IT SHALL BE THE CONTRACTOR'S RESPONSIBILITY TO VERIFY SUCH DIMENSIONS AND DETAILS IN THE FIELD AND TO MAKE NECESSARY APPROVED ADJUSTMENTS PRIOR TO CONSTRUCTIONS OR ORDERING OF MATERIALS. SUCH VARIATIONS SHALL NOT BE CAUSE FOR ADDITIONAL COMPENSATION FOR A CHANGE IN THE SCOPE OF THE WORK, HOWEVER THE CONTRACTOR WILL BE PAID FOR THE QUANTITY FURNISHED AT THE UNIT PRICE BID FOR THE WORK.

THE CONTRACTOR SHALL BE RESPONSIBLE FOR PROTECTING PROPERTY FROM CONSTRUCTION OPERATIONS AS OUTLINED IN ARTICLE 107.31 OF THE STANDARD SPECIFICATIONS. THE "JULIE" NUMBER IS 1-800-892-0123. A MINIMUM OF FORTY-EIGHT (48) HOURS ADVANCE NOTICE IS REQUIRED.

FOR STABILIZATION, ALL TYPE III BARRICADES SHALL REQUIRE A MINIMUM OF FOUR SAND BAGS PER BARRICADE.

WHERE SECTION OR SUBSECTION MONUMENTS ARE ENCOUNTERED, THE ENGINEER SHALL BE NOTIFIED BEFORE SUCH MONUMENTS ARE REMOVED. THE CONTRACTOR SHALL PROTECT AND CAREFULLY PRESERVE ALL MONUMENTS UNTIL AN AUTHORIZED SURVEYOR OR AGENT HAS WITNESSED OR OTHERWISE REFERENCED THEIR LOCATION. THE CONTRACTOR SHALL BE RESPONSIBLE FOR HAVING AN AUTHORIZED SURVEYOR REESTABLISH ANY SECTION OR SUBSECTION MONUMENTS DESTROYED BY HIS OPERATIONS.

ALL ELEVATIONS REFERRING TO U.S.G.S. MEAN SEA LEVEL DATUM.

ANY REFERENCE TO A STANDARD IN THESE PLANS SHALL BE INTERPRETED TO MEAN THE EDITION AS INDICATED BY THE SUBNUMBER LISTED ON THE INDEX OF SHEETS OR THE COPY OF THE STANDARD INCLUDED IN THESE PLANS.

DATE: May 18, 2005

PREPARED BY: *Bruce A. Huchler*
DISTRICT OPERATIONS ENGINEER

EXAMINED BY: *Hubert D. [Signature]*
DISTRICT CONSTRUCTION ENGINEER

Steven B. Chokasz
NOTING DISTRICT STUDIES & PLANS ENGINEER

Kenneth L. [Signature]
DISTRICT MATERIALS ENGINEER

REVISIONS	
NAME	DATE

ILLINOIS DEPARTMENT OF TRANSPORTATION
GENERAL NOTES
S.N. 038-0103
FAP ROUTE 681 (US 52)
SECTION (118BC, BR)I
STA. 336 + 80

DATE 04/01/2005

DRAWN BY RLW

DATE: 04/01/2005
C:\PROJECTS\118BC\BR\118BC.BR\040103.DWG

F.A.P. RTE.	SECTION	COUNTY	TOTAL SHEETS	SHEET NO.
681	(118BC,BR)I	IROUOIS	12	3
FED. ROAD DIST. NO.	ILLINOIS	STATE AID PROJECT		

SUMMARY OF QUANTITIES

CONSTRUCTION CODE TYPE: SFTY-2A

CODE NO.	ITEM	UNIT	RURAL 100% STATE TOTAL QUANTITY
51201000	FURNISHING METAL PILE SHELLS 12"	FOOT	124
51202600	DRIVING AND FILLING SHELLS	FOOT	124
67100100	MOBILIZATION	L SUM	1
70101700	TRAFFIC CONTROL AND PROTECTION	L SUM	1
X0324059	DEBRIS DEFLECTION SYSTEM, COMPLETE	L SUM	1
X7011005	TRAFFIC CONTROL AND PROTECTION FOR TEMPORARY DETOUR	L SUM	1
Z0015500	DEBRIS REMOVAL	L SUM	1

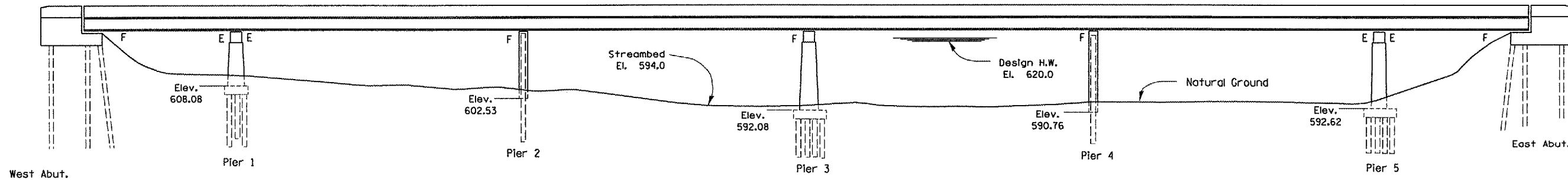
DATE: 04/01/2005
C:\PROJECTS\CHANGES\CHANGES\DETAILS.DGN

REVISIONS	
NAME	DATE

ILLINOIS DEPARTMENT OF TRANSPORTATION
SUMMARY OF QUANTITIES
 S.N. 038-0103
 FAP ROUTE 681 (US 52)
 SECTION (118BC,BR)I
 STA. 336 + 80

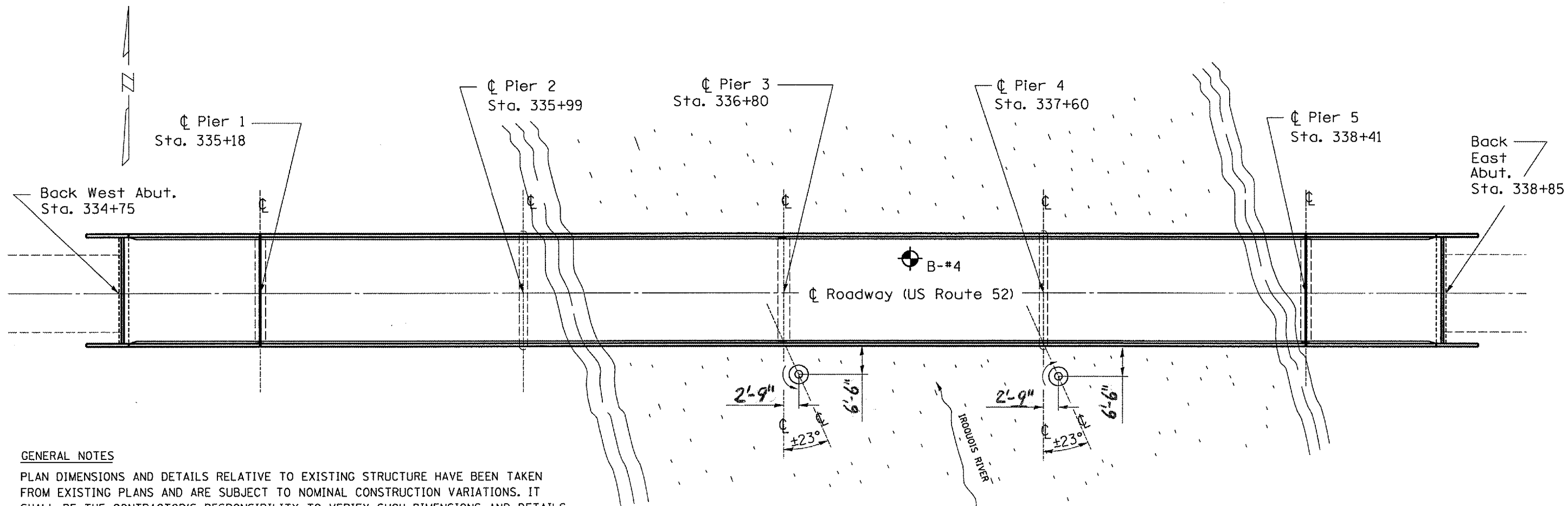
DATE: 04/01/2005 DRAWN BY: RLW

CONTRACT NO. 66572			
F.A.P. RTE.	SECTION	COUNTY	TOTAL SHEET NO.
681	(118BC,BR1)	ILLINOIS	12 4
FED. ROAD DIST. NO.	ILLINOIS	STATE AID PROJECT	



ELEVATION

WATERWAY INFORMATION									
DRAINAGE AREA = 1646 SQ. MI.					LOW GRADE EL. = 624.0 @ STA. 327+00				
FLOOD	FREQ. YEARS	D. C.F.S.	OPENING EXIST.	SO. FT. PROP.	NAT. H.W.E.	HEAD - FT. EXIST. PROP.		HEADWATER EL. EXIST. PROP.	
DESIGN	50	23.06	5655	5340	620	-	0.13	-	620.13
BASE	100	25.3	5990	5672	620.9	-	0.16	-	621.06



GENERAL NOTES

PLAN DIMENSIONS AND DETAILS RELATIVE TO EXISTING STRUCTURE HAVE BEEN TAKEN FROM EXISTING PLANS AND ARE SUBJECT TO NOMINAL CONSTRUCTION VARIATIONS. IT SHALL BE THE CONTRACTOR'S RESPONSIBILITY TO VERIFY SUCH DIMENSIONS AND DETAILS IN THE FIELD AND MAKE NECESSARY APPROVED ADJUSTMENTS PRIOR TO WORK OR THE ORDERING OF MATERIALS. SUCH VARIATIONS SHALL NOT BE CAUSE FOR ADDITIONAL COMPENSATION FOR A CHANGE IN THE SCOPE OF THE WORK. HOWEVER, THE CONTRACTOR WILL BE PAID FOR THE QUANTITY ACTUALLY FURNISHED AT THE UNIT PRICE BID FOR THE PROJECT.

DEBRIS DEFLECTION DEVICES ARE TO BE INSTALLED UPSTREAM FROM PIERS P-3 AND P-4.

**PLAN
S.N. 038-0103**

- COUNTER-CLOCKWISE ROTATION
- CLOCKWISE ROTATION

REVISIONS	
NAME	DATE

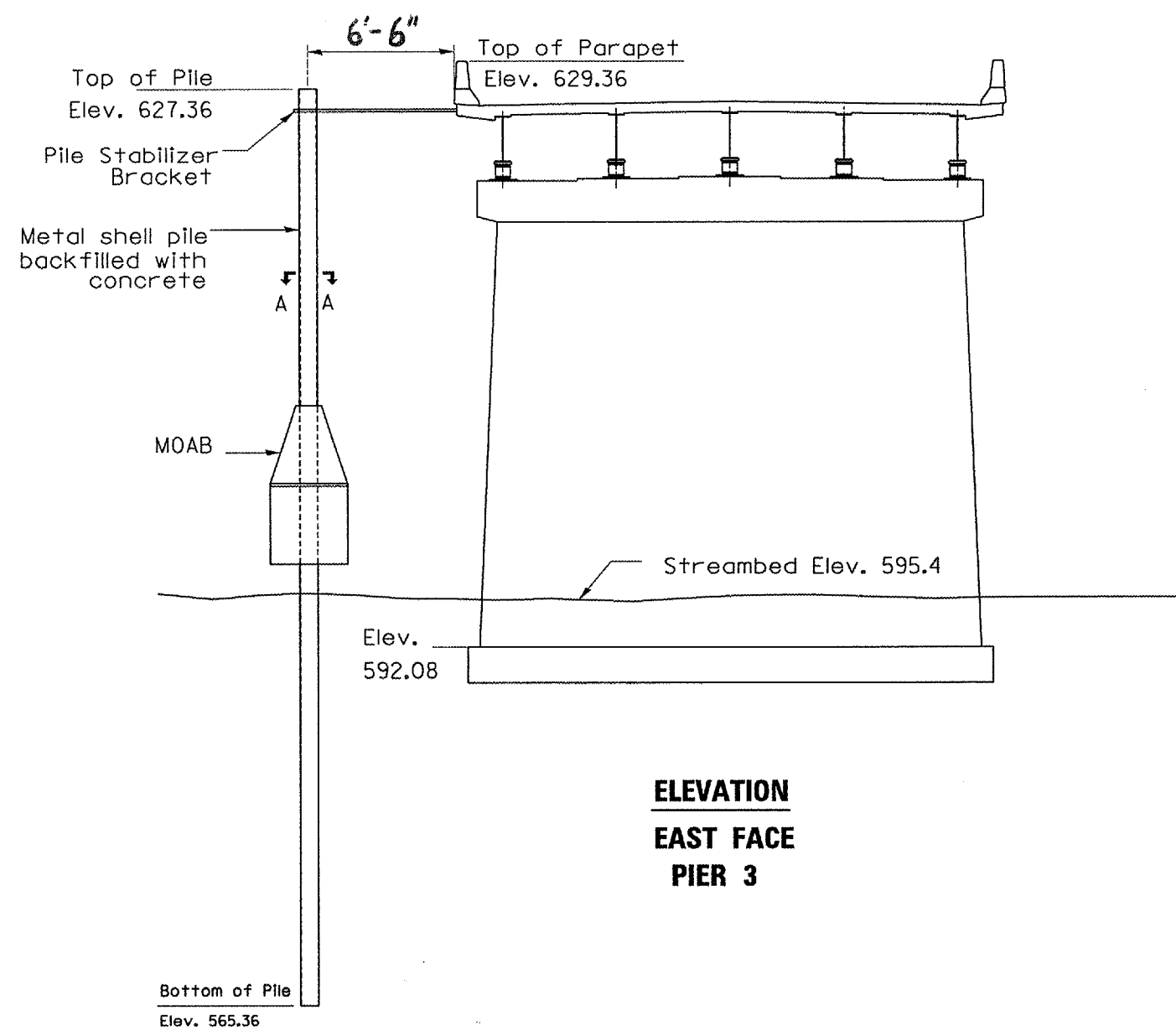
ILLINOIS DEPARTMENT OF TRANSPORTATION
PLAN AND ELEVATION
 S.N. 038-0103
 FAP ROUTE 681 (US 52)
 SECTION (118BC,BR1)
 STA. 336+80

DATE 04/01/2005

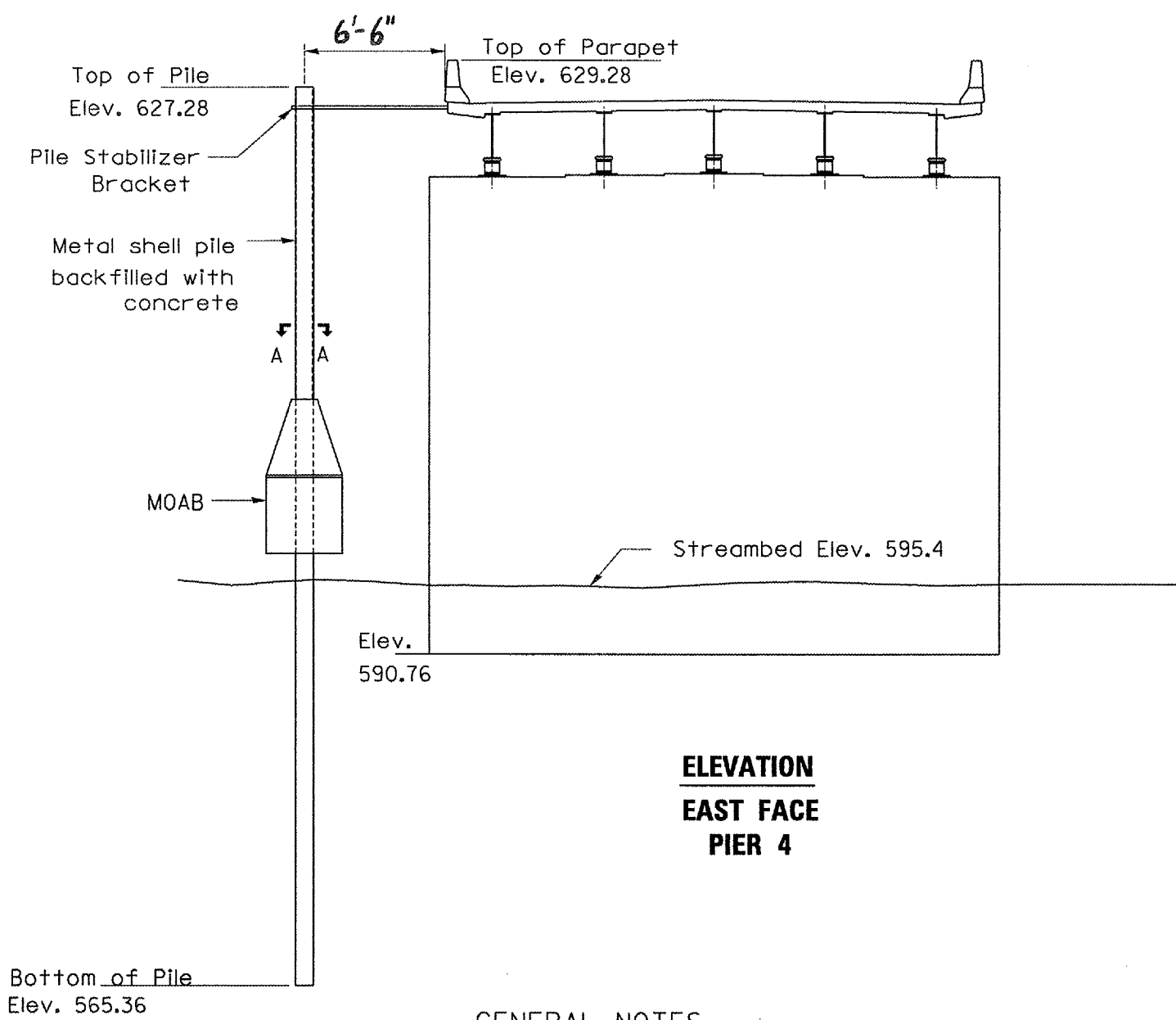
DRAWN BY RLW

DATE: 04/01/2005
 C:\PROJECTS\CHINA\108\CHINA\DETAILS.DWG

CONTRACT NO. 66572				
F.A.P. RTE.	SECTION	COUNTY	TOTAL SHEETS	SHEET NO.
681	(118BC,BR1)	IROQUOIS	12	5
FED. ROAD DIST. NO.	ILLINOIS	STATE AID PROJECT		



**ELEVATION
EAST FACE
PIER 3**



**ELEVATION
EAST FACE
PIER 4**

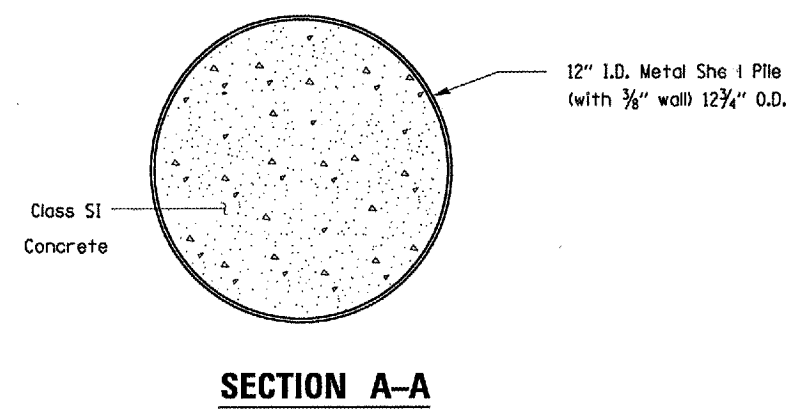
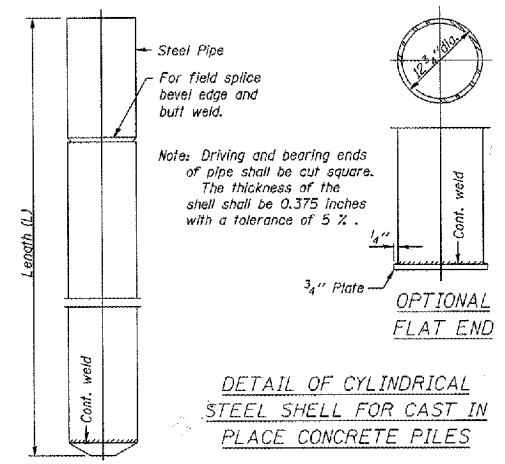
GENERAL NOTES

Steel Piling to be driven at the locations and to the elevation shown on plan details.

Steel piling shall be driven according to Section 512 of the Standard Specifications and backfilled with Class SI Concrete.

MOAB, Bracket and installation on piles provided by DEBRIS FREE, INC. OJAI, CA.

The Contractor shall submit a procedure and proposed equipment placement for driving the piles to the Engineer for approval. This shall include a means, such as crane mats, for distributing the load to the bridge deck and preventing damage to the concrete.



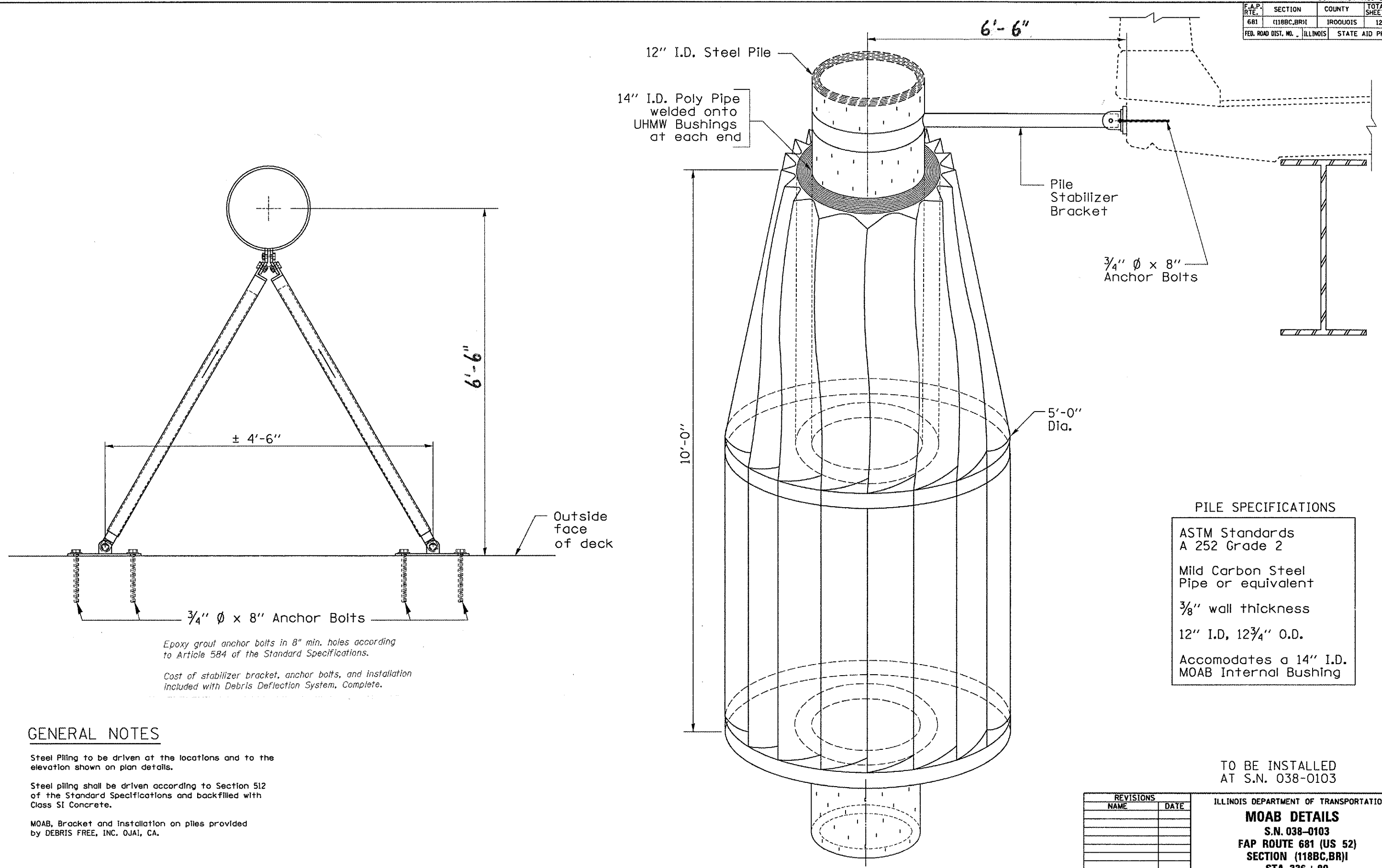
REVISIONS	
NAME	DATE

ILLINOIS DEPARTMENT OF TRANSPORTATION
PIER DETAILS
S.N. 038-0103
FAP ROUTE 681 (US 52)
SECTION (118BC,BR1)
STA. 336 + 80

DATE 04/01/2005 DRAWN BY RLW

DATE: 04/01/2005
DRAWN BY: RLW
PROJECT: IROQUOIS COUNTY BRIDGE DETAILS.DGN

CONTRACT NO. 66572				
F.A.P. RTE.	SECTION	COUNTY	TOTAL SHEETS	SHEET NO.
681	(118BC,BR)I	IROQUOIS	12	6*
FED. ROAD DIST. NO.	ILLINOIS	STATE AID PROJECT		



Epoxy grout anchor bolts in 8" min. holes according to Article 584 of the Standard Specifications.
 Cost of stabilizer bracket, anchor bolts, and installation included with Debris Deflection System, Complete.

PILE SPECIFICATIONS

ASTM Standards
 A 252 Grade 2
 Mild Carbon Steel
 Pipe or equivalent
 3/8" wall thickness
 12" I.D., 12 3/4" O.D.
 Accomodates a 14" I.D.
 MOAB Internal Bushing

GENERAL NOTES

- Steel Piling to be driven at the locations and to the elevation shown on plan details.
- Steel piling shall be driven according to Section 512 of the Standard Specifications and backfilled with Class SI Concrete.
- MOAB, Bracket and installation on piles provided by DEBRIS FREE, INC. OJAI, CA.

TO BE INSTALLED
 AT S.N. 038-0103

REVISIONS	
NAME	DATE

ILLINOIS DEPARTMENT OF TRANSPORTATION
MOAB DETAILS
 S.N. 038-0103
 FAP ROUTE 681 (US 52)
 SECTION (118BC,BR)I
 STA. 336 + 80

DATE 04/01/2005 DRAWN BY RLW

DATE: 04/01/2005
 C:\PROJECTS\MAIN\105\CH386\DETAIL.DWG

F.A.P. RTE.	SECTION	COUNTY	TOTAL SHEETS	SHEET NO.
681	(118BC, BR)1	IROQUOIS	12	7
FED. ROAD DIST. NO.		ILLINOIS	STATE AID PROJECT	



SOIL BORING LOG

Date 6/7/79

ROUTE FA 681 US Rte 52 DESCRIPTION _____ LOGGED BY KW
 SECTION 118BR LOCATION SEC. 21, TWP. 28N, RNG. 13W, 2nd PM
 COUNTY Iroquois DRILLING METHOD Hollow Stem Auger HAMMER TYPE automatic

STRUCT. NO.	Station	BORING NO.	Station	Offset	Ground Surface Elev.	D	B	U	M	Surface Water Elev.	Stream Bed Elev.	Groundwater Elev.:	First Encounter	Upon Completion	After	Hrs.	D	B	U	M
038-0103	336+80	4	337+20	6.00ft Lt	625.90	(ft)	(/6")	(tsf)	(%)	ft	ft	ft	ft	ft	ft		(ft)	(/6")	(tsf)	(%)
Cored through Bridge Deck and hung augers						Cored through Bridge Deck and hung augers														
River Bottom @ 595.4						River Bottom @ 595.4 (continued)														
						595.40						Silty Clay Till								
						593.90						Stiff Gray Silty Clay Till								
												3								
												4 1.8 23.0								
												6 B								
												3								
												4 1.5 25.0								
												6 B								
												4								
												4 1.9 23.0								
												5 B								
												4								



SOIL BORING LOG

Date 6/7/79

ROUTE FA 681 US Rte 52 DESCRIPTION _____ LOGGED BY KW
 SECTION 118BR LOCATION SEC. 21, TWP. 28N, RNG. 13W, 2nd PM
 COUNTY Iroquois DRILLING METHOD Hollow Stem Auger HAMMER TYPE automatic

STRUCT. NO.	Station	BORING NO.	Station	Offset	Ground Surface Elev.	D	B	U	M	Surface Water Elev.	Stream Bed Elev.	Groundwater Elev.:	First Encounter	Upon Completion	After	Hrs.	D	B	U	M
038-0103	336+80	4	337+20	6.00ft Lt	625.90	(ft)	(/6")	(tsf)	(%)	ft	ft	ft	ft	ft	ft		(ft)	(/6")	(tsf)	(%)
Stiff Gray Silty Clay Till (continued)						581.90						Stiff Gray Silty Clay Till (continued)								
						579.40						Medium Gray Silty Clay Loam Till								
						576.90						Very Stiff Gray Loam Till								
						575.90						Dense Gray Clean Medium Gravel								
												15								
												20								
												25								
												5								
						566.90						Stiff Gray Silty Clay Till								
												6 1.5 23.0								
												7 B								
												End of Boring								

REVISIONS	
NAME	DATE

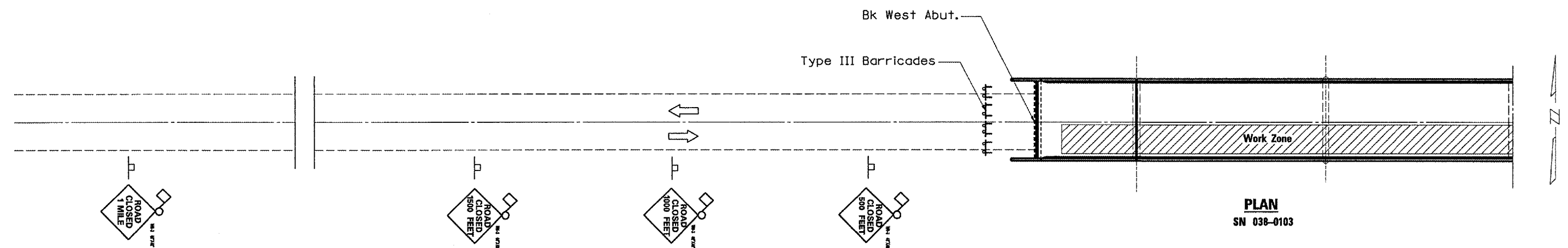
ILLINOIS DEPARTMENT OF TRANSPORTATION
EXISTING BORING LOGS
 S.N. 038-0103
 FAP ROUTE 681 (US 52)
 SECTION (118BC, BR)1
 STA. 336 + 80

DATE 04/01/2005

DRAWN BY RLW

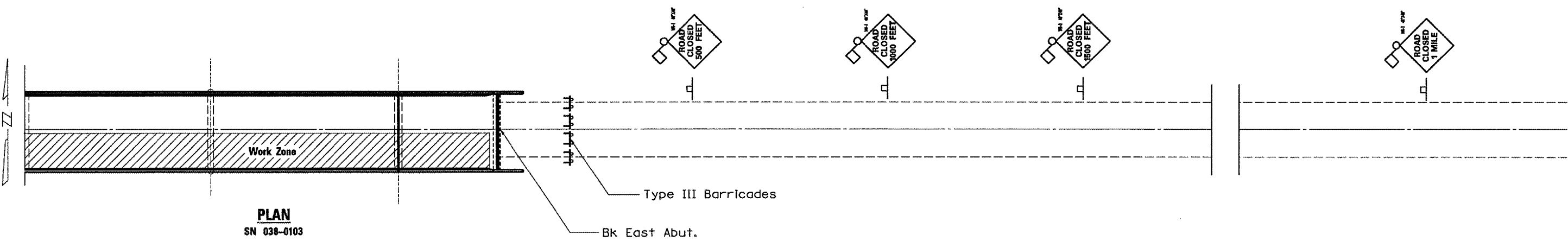
DATE: 04/01/2005 C:\PROJECTS\CHAI\MS\CH395\LE\TALS.DGN

CONTRACT NO. 66572				
F.A.P. RTE.	SECTION	COUNTY	TOTAL SHEETS	SHEET NO.
681	(118BC, BR1)	ILLINOIS	12	8
FED. ROAD DIST. NO.	ILLINOIS	STATE AID PROJECT		



PLAN
SN 038-0103

- SYMBOLS**
- Work area
 - Sign
 - Type III barricade with flashing lights



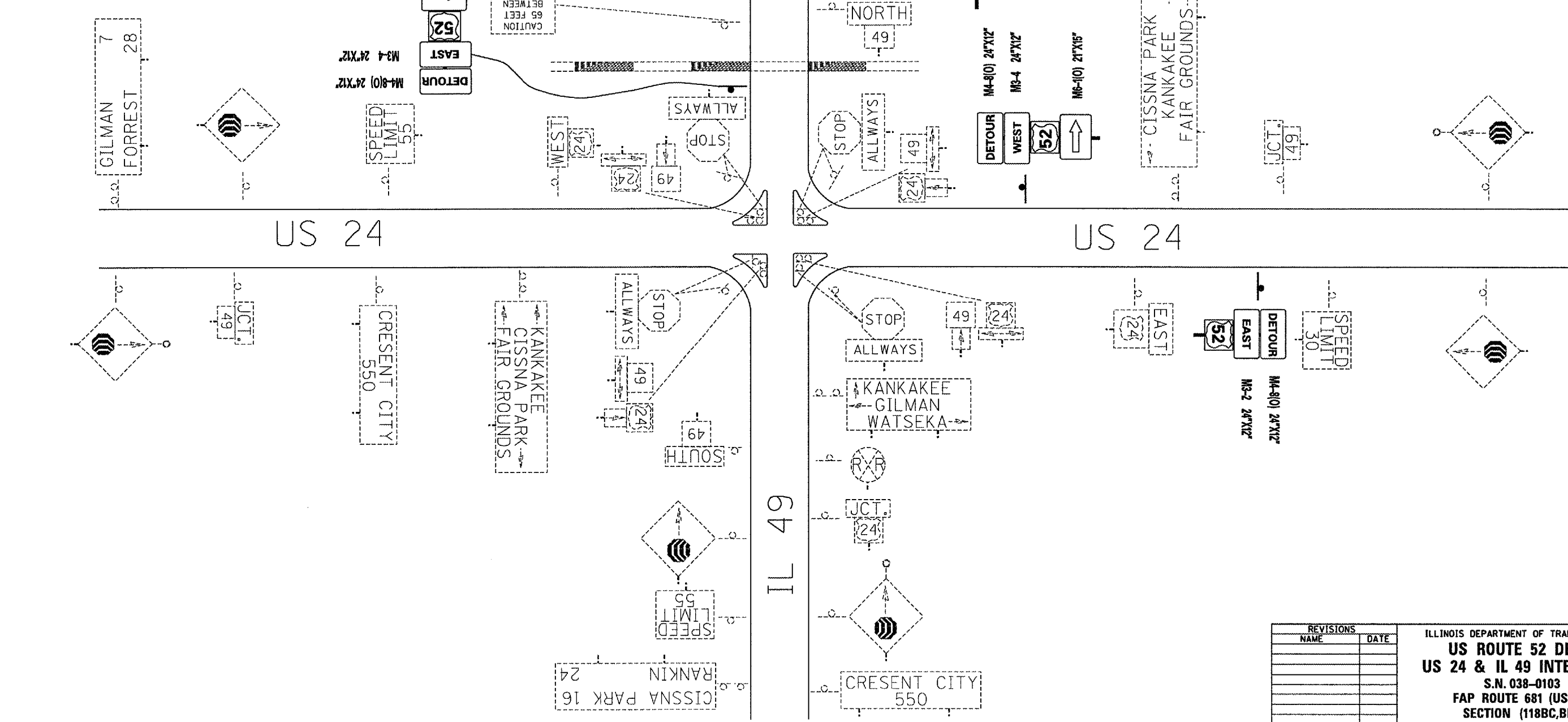
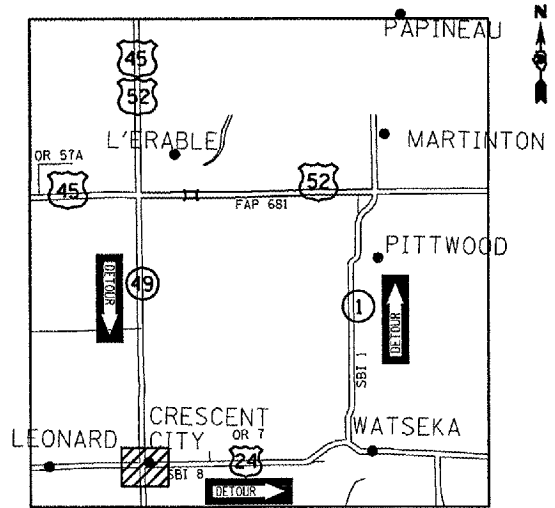
PLAN
SN 038-0103

REVISIONS	
NAME	DATE

ILLINOIS DEPARTMENT OF TRANSPORTATION
US ROUTE 52 DETOUR
ROAD CLOSURE DETAILS
 S.N. 038-0103
 FAP ROUTE 681 (US 52)
 SECTION (118BC, BR1)
 STA. 336 + 80
 DATE 04/26/2005 DRAWN BY RLW

DATE: 04/26/2005
 C:\PROJECTS\118BC\BR1\CH38B\DETAILS.DGN

F.A.I. RTE.	SECTION	COUNTY	TOTAL SHEETS	SHEET NO.
412	(62-2VB)I	MARSHALL	12	9
FED. ROAD DIST. NO.		ILLINOIS	PROJECT	

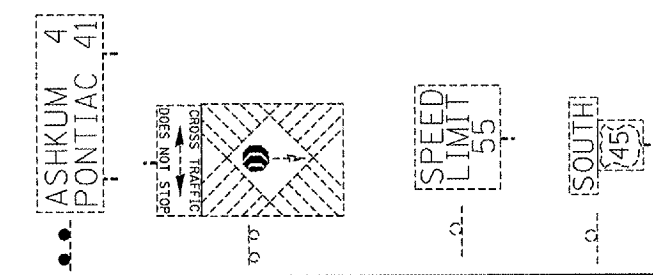
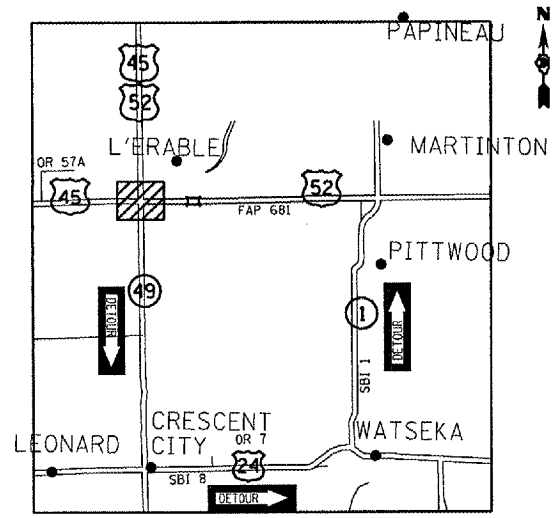


REVISIONS	
NAME	DATE

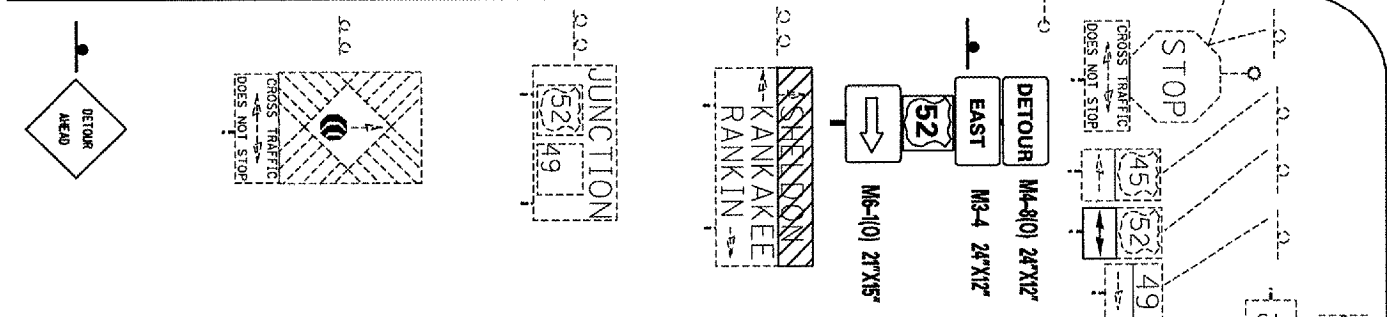
ILLINOIS DEPARTMENT OF TRANSPORTATION
US ROUTE 52 DETOUR
US 24 & IL 49 INTERSECTION
 S.N. 038-0103
 FAP ROUTE 681 (US 52)
 SECTION (118BC, BR)I
 STA. 336 + 80
 DATE 04/26/2005 DRAWN BY RLV

Date: 04/26/2005
 File: cr/projects/main06/cm308/details.dgn

F.A.I. RTE.	SECTION	COUNTY	TOTAL SHEETS	SHEET NO.
412	(62-2VB)1	MARSHALL	12	10
FED. ROAD DIST. NO. .		ILLINOIS	PROJECT	



US 45



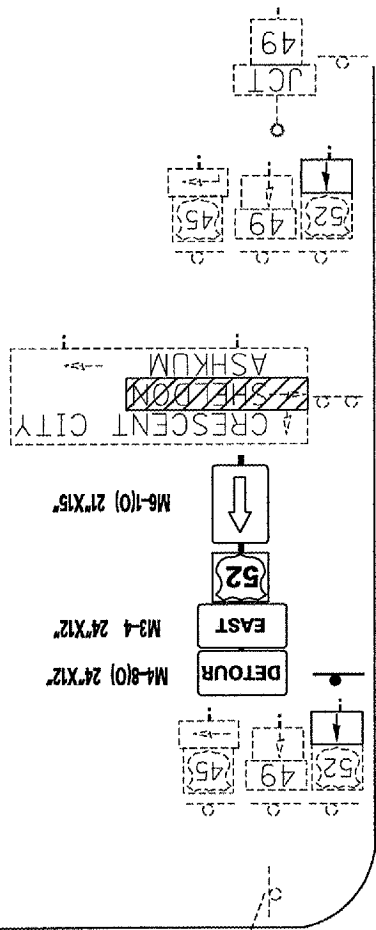
US 52

GENERAL NOTES

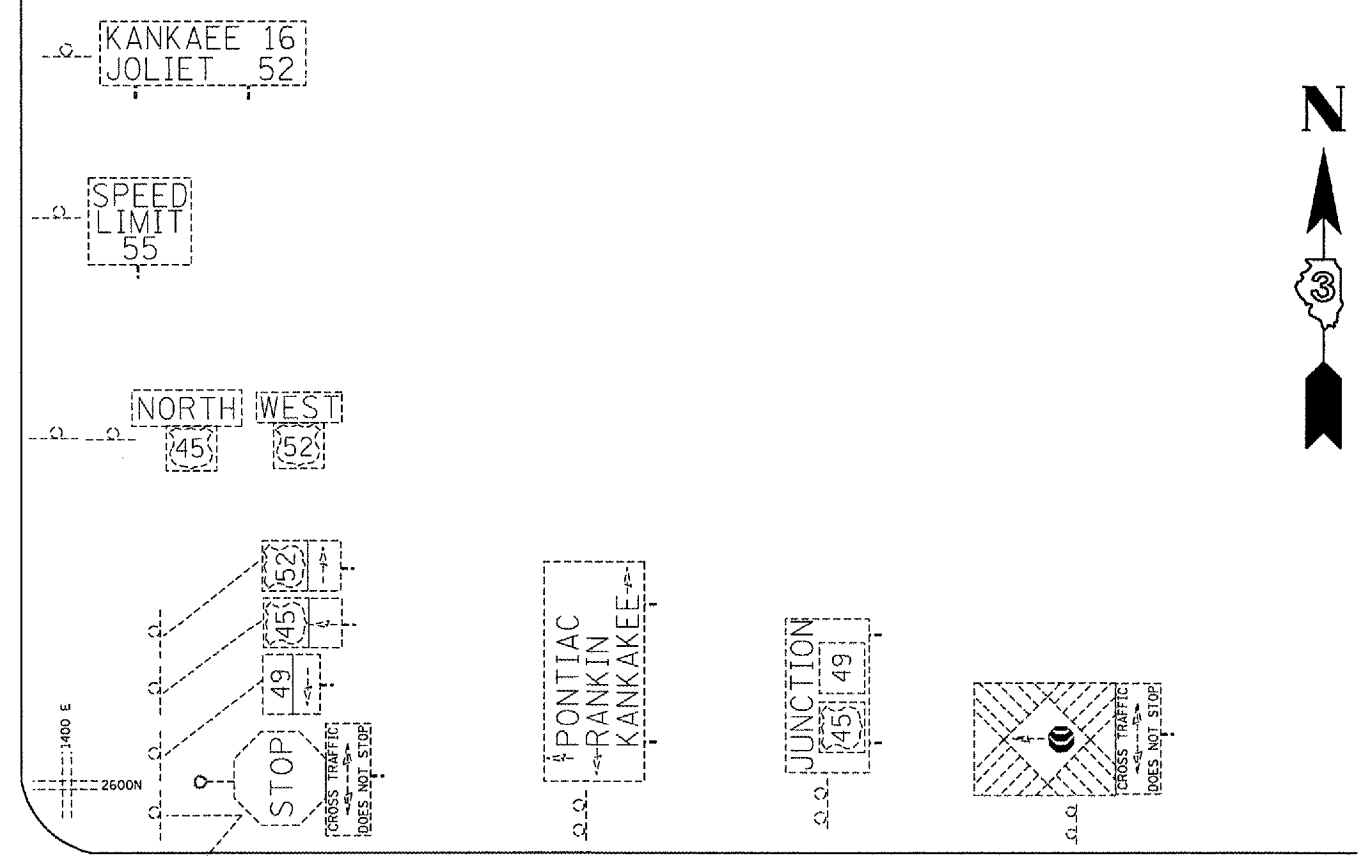
Arrows for Temporary Detour shall be Black Letters on orange sign.

Hatched areas represent existing signs that are to be covered when the temporary detour is in effect.

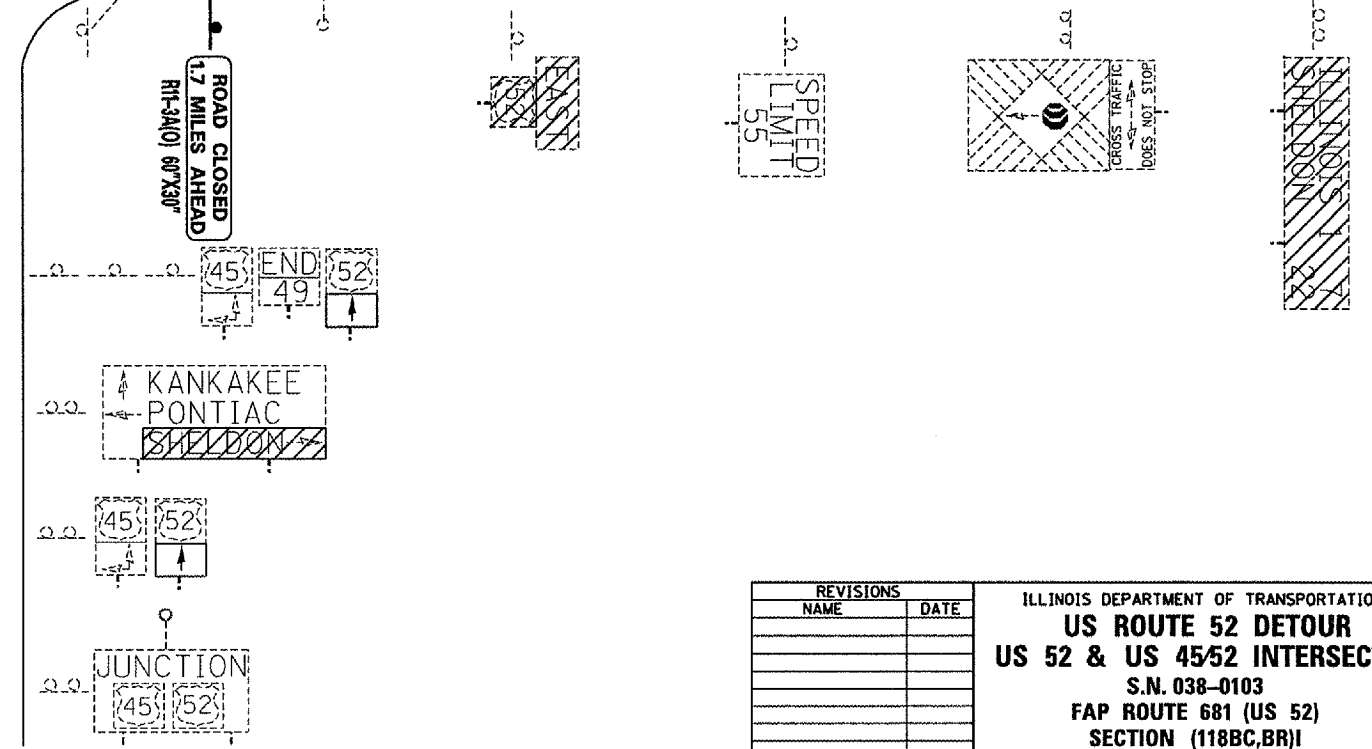
Detour arrows that are to be placed on existing road signs shall replace the existing arrows, and the existing arrows shall be replaced when the temporary detour is no longer in effect.



US 45 / US 52



IL 49

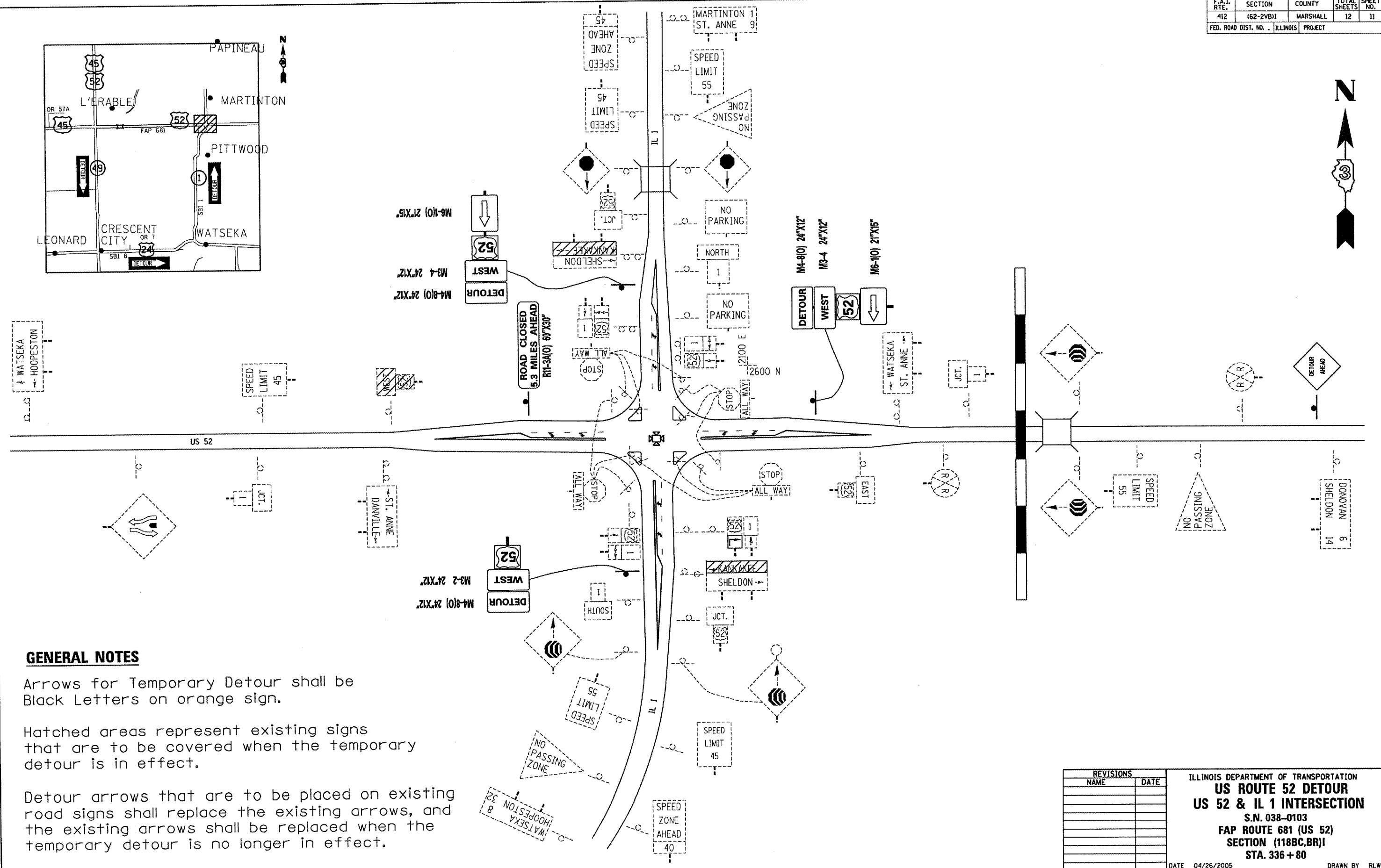
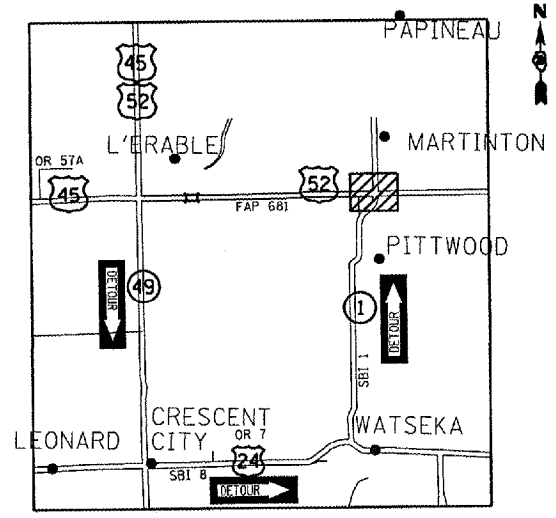


REVISIONS	
NAME	DATE

ILLINOIS DEPARTMENT OF TRANSPORTATION
US ROUTE 52 DETOUR
US 52 & US 45/52 INTERSECTION
 S.N. 038-0103
 FAP ROUTE 681 (US 52)
 SECTION (118BC, BR)I
 STA. 336 + 80
 DATE 04/26/2005 DRAWN BY RLW

Date: 04/26/2005
 File: c:\projects\main06\cm308\details.dgn

F.A.I. RTE.	SECTION	COUNTY	TOTAL SHEETS	SHEET NO.
412	(62-2VB)1	MARSHALL	12	11
FED. ROAD DIST. NO. .		ILLINOIS PROJECT		



GENERAL NOTES

Arrows for Temporary Detour shall be Black Letters on orange sign.

Hatched areas represent existing signs that are to be covered when the temporary detour is in effect.

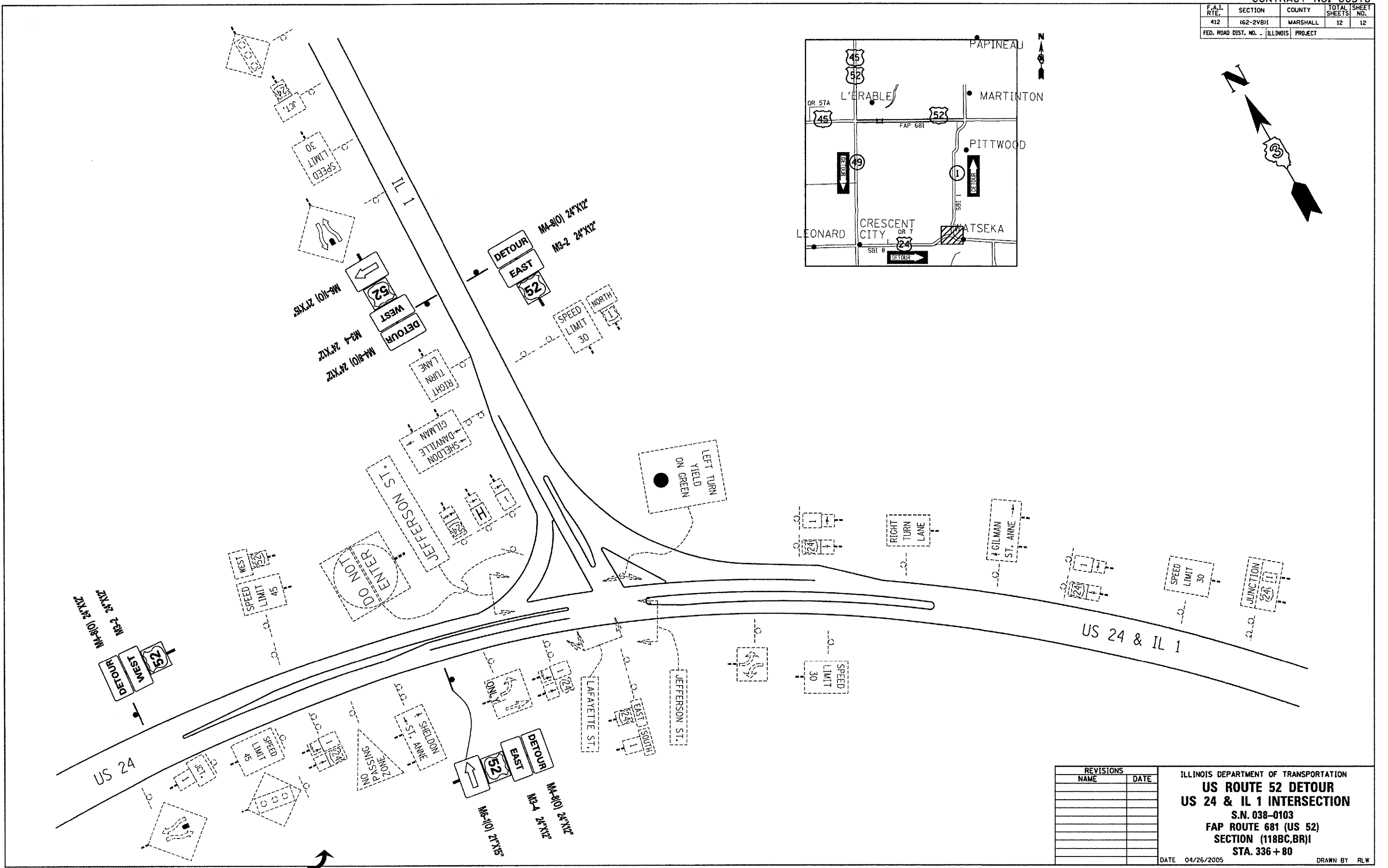
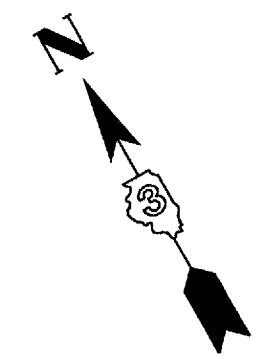
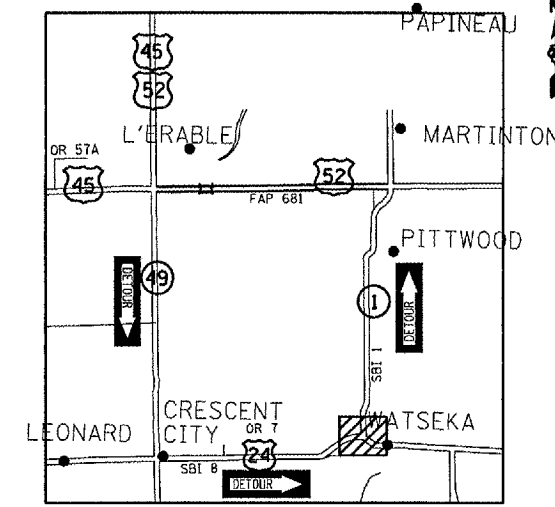
Detour arrows that are to be placed on existing road signs shall replace the existing arrows, and the existing arrows shall be replaced when the temporary detour is no longer in effect.

REVISIONS	
NAME	DATE

ILLINOIS DEPARTMENT OF TRANSPORTATION
US ROUTE 52 DETOUR
US 52 & IL 1 INTERSECTION
 S.N. 038-0103
 FAP ROUTE 681 (US 52)
 SECTION (118BC,BR)1
 STA. 336 + 80
 DATE 04/26/2005 DRAWN BY RLW

Date: 04/26/2005
 File: c:/projects/cm308/cn308/details.dgn

F.A.I. RTE.	SECTION	COUNTY	TOTAL SHEETS	SHEET NO.
412	162-2VB1	MARSHALL	12	12
FED. ROAD DIST. NO. - ILLINOIS PROJECT				



Date: 04/26/2005
 File: c:\projects\main06\cm308\detolls.dgn

REVISIONS	
NAME	DATE

ILLINOIS DEPARTMENT OF TRANSPORTATION
US ROUTE 52 DETOUR
US 24 & IL 1 INTERSECTION
 S.N. 038-0103
 FAP ROUTE 681 (US 52)
 SECTION (118BC, BR)I
 STA. 336 + 80
 DATE 04/26/2005 DRAWN BY RLW