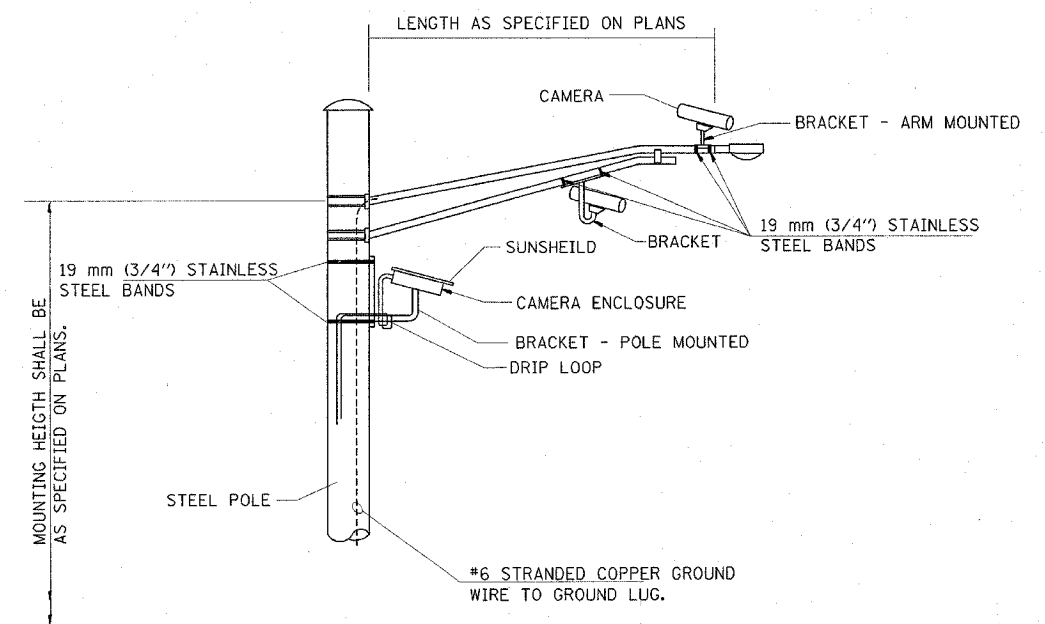
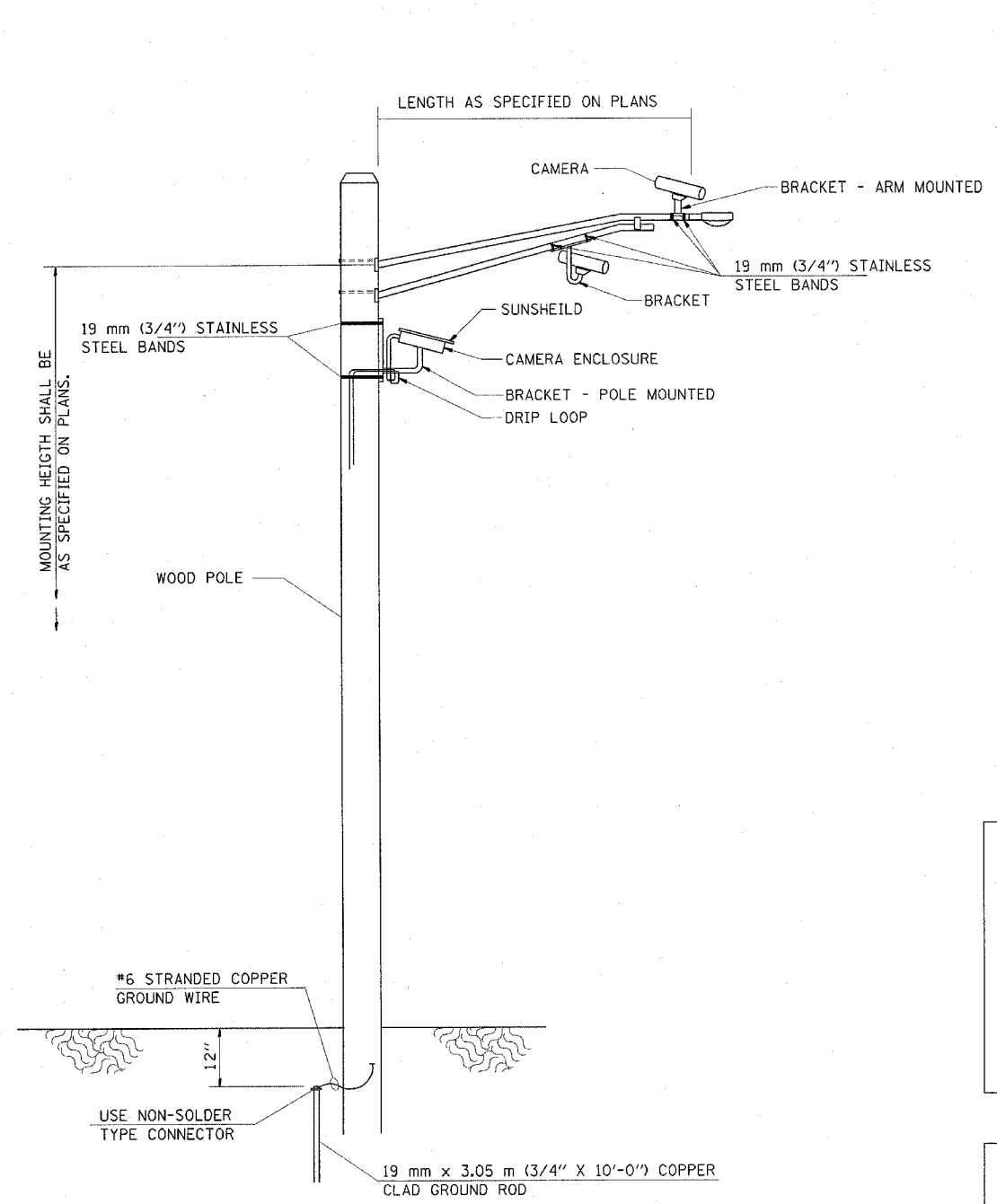
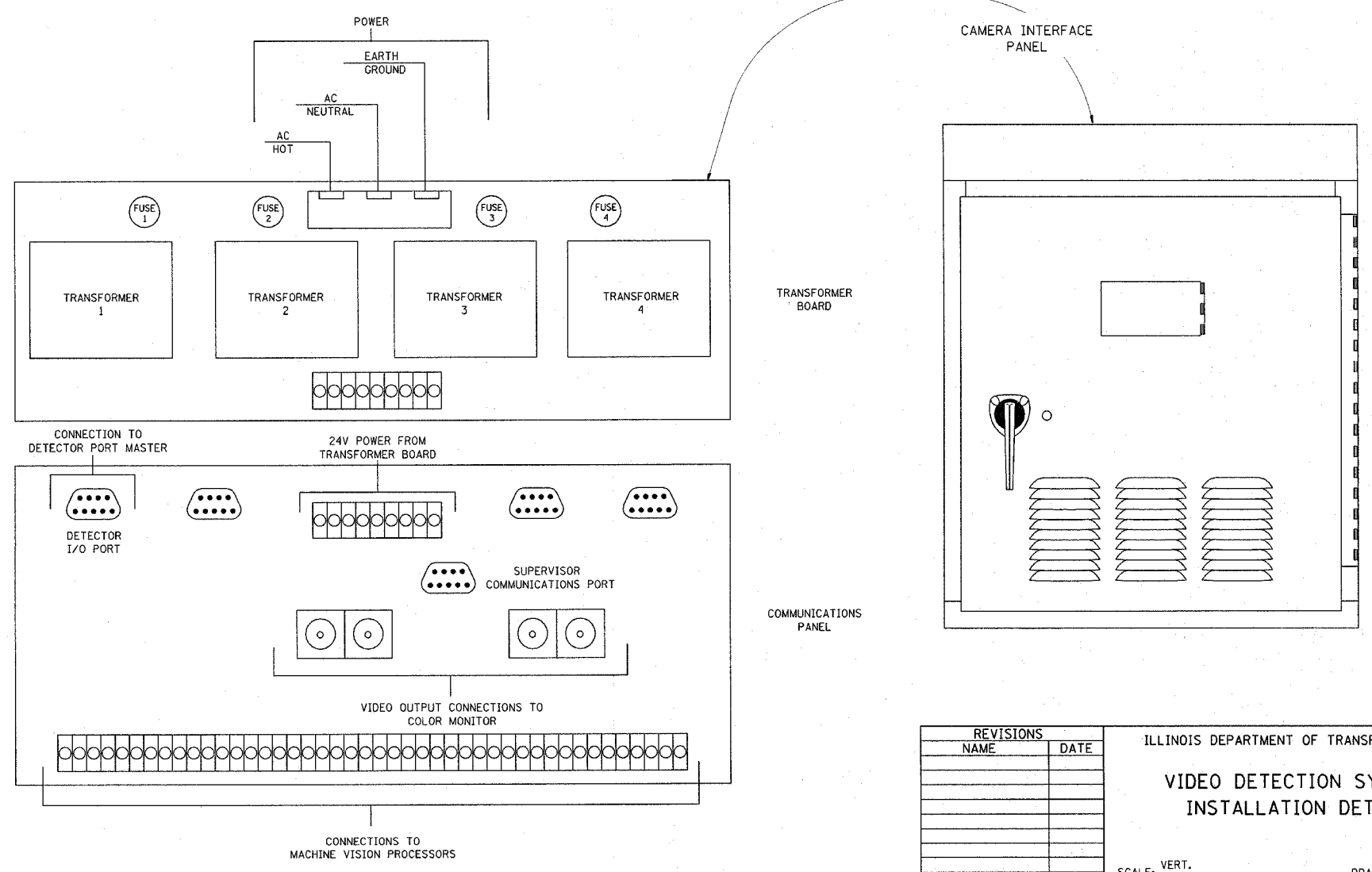


F.A.P. RTE.	SECTION	COUNTY	TOTAL SHEETS	SHEET NO.
663	(17X)TS-1	SANGAMON	10	7
STA.		TO STA.		
FED. ROAD DIST. NO.		ILLINOIS FED. AID PROJECT		



**VIDEO DETECTION SYSTEM INSTALLATION
ARM MOUNTED OR POLE MOUNTED CAMERA**



REVISIONS	
NAME	DATE

ILLINOIS DEPARTMENT OF TRANSPORTATION
**VIDEO DETECTION SYSTEM
INSTALLATION DETAIL**
SCALE: VERT. / HORIZ.
DATE
DRAWN BY KDA
CHECKED BY

PLOT DATE = 3/31/2003
FILE NAME = c:\projects\4651595\ts_sheets.dgn
PLOT SCALE = 20,000% / IN
REFERENCE = #REF#