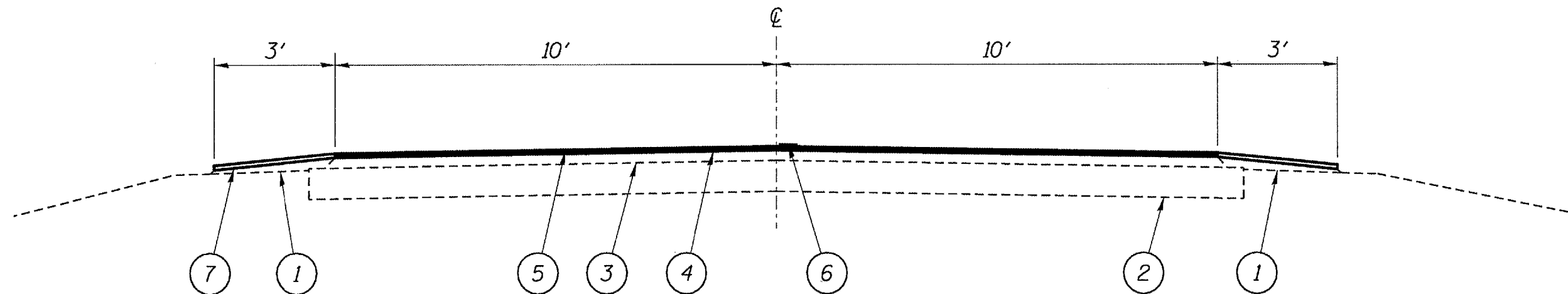
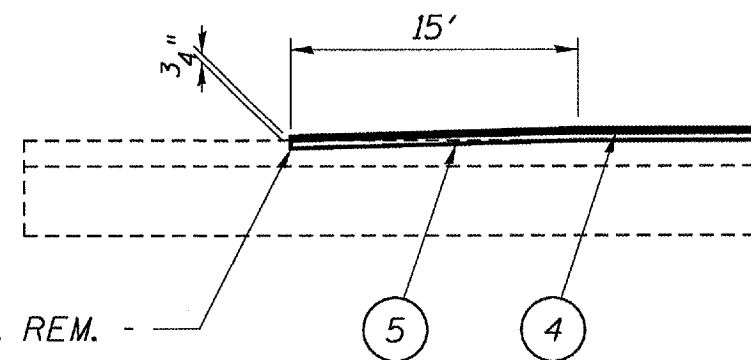


STA. 1669+96.00 TO 1801+01.61
STA. EQ. 1801+01.61bk=1001+01.61ah



STA. 1001+01.61 TO 1013+80.66
STA. EQ. 1013+80.66bk=1113+80.66ah
STA. 1113+80.66 TO 1131+99.00



ST. 1669+96 TO 1670+11
STA. 1131+84 TO 1131+99

LEGEND

- 1 - EXIST. AGGREGATE SHOULDERS, TYPE B
- 2 - EXIST. STABILIZED BASE COURSE
- 3 - EXIST. BITUMINOUS SURFACE
- 4 - PROP. BITUMINOUS SURFACE TREATMENT (PREVENTIVE MAINTENANCE)
- 5 - PROP. LEVELING BINDER (MACHINE METHOD) SUPERPAVE, N50 3/4"
- 6 - PROP. PAINT PAVEMENT MARKING - LINE 5"
- 7 - PROP. AGGREGATE SHOULDER, TYPE B

TYPICALS
FAS 1768 (I-55 E FRONTAGE RD)
SECTION (68-2)Q-2
MONTGOMERY COUNTY