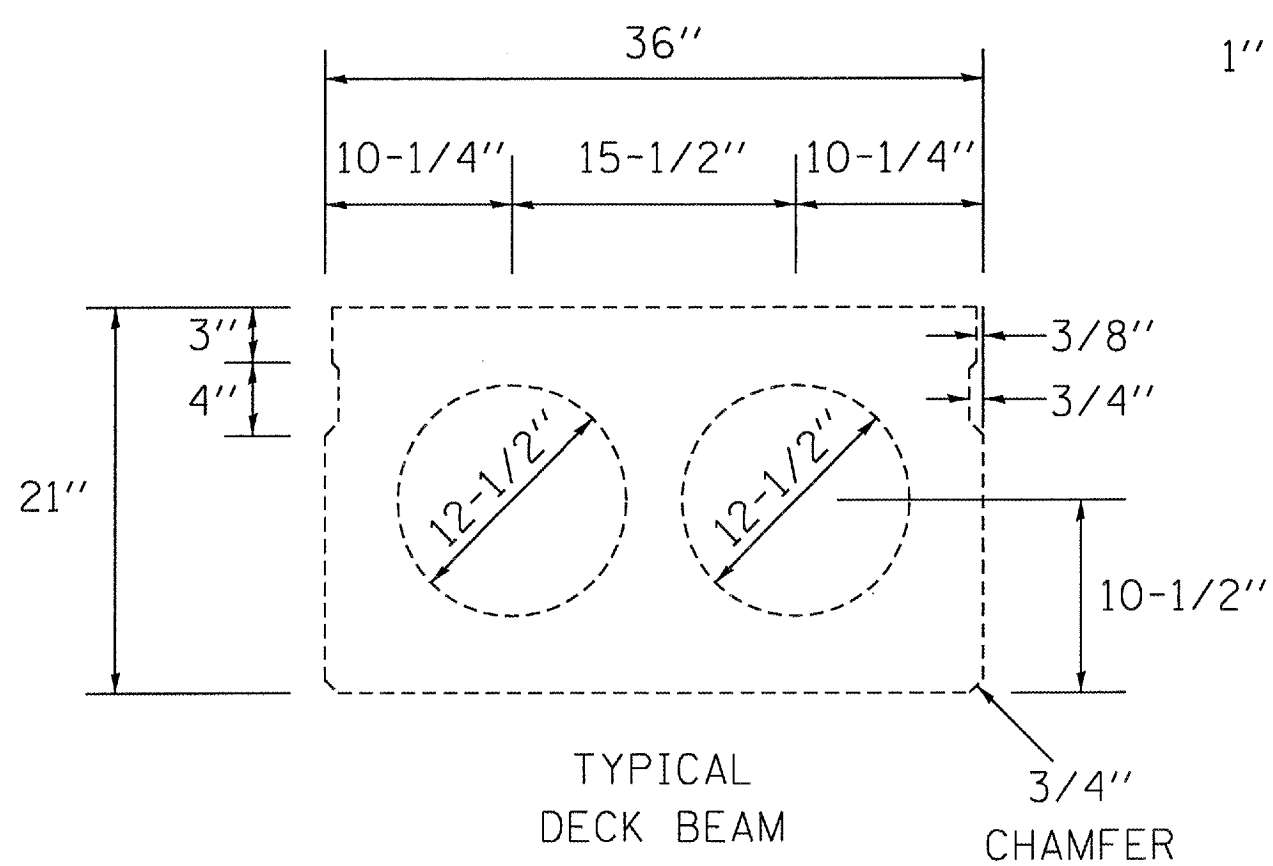


EXISTING VAR. DEPTH BIT. SURF. &
 WATER-PROOFING MEMBRANE TBR

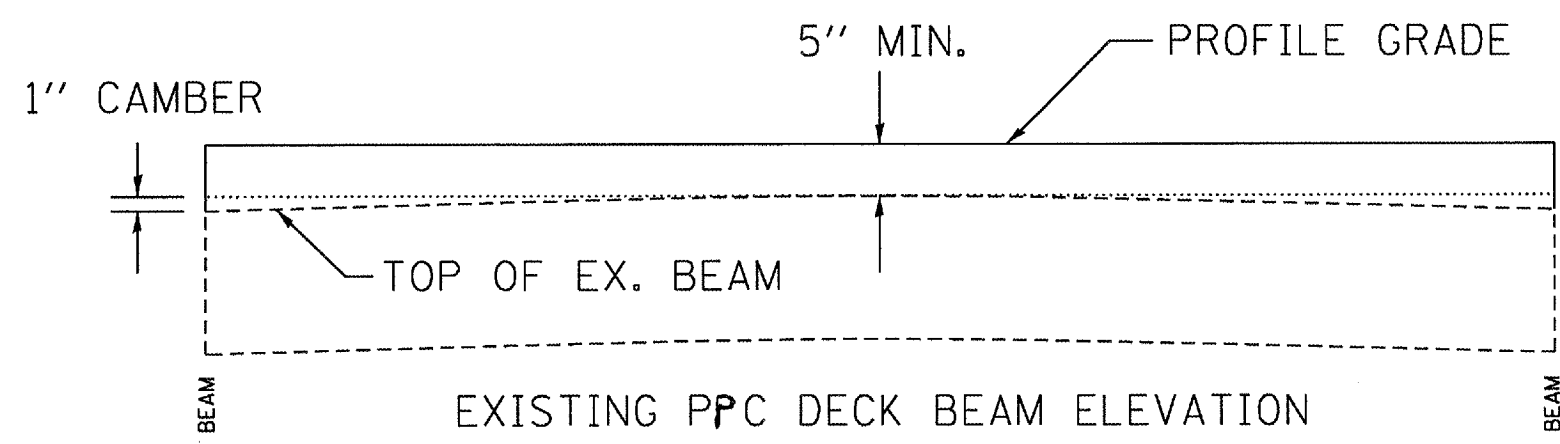
EXISTING PPC
 DECK BEAMS

EXISTING
 BEARING PADS



TYPICAL
 DECK BEAM

3/4"
 CHAMFER



NOTE: THE THICKNESS OF THE PCC OVERLAY VARIES
 AS REQUIRED TO ADJUST FOR THE EXISTING PROFILE
 GRADE AND BEAM CAMBER (NOT TO SCALE)

EXISTING CROSS SECTION
 FAP 614 (IL 78)
 SECTION (144BR-3)D
 CASS COUNTY