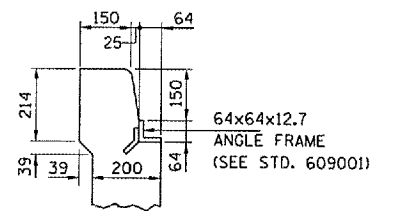
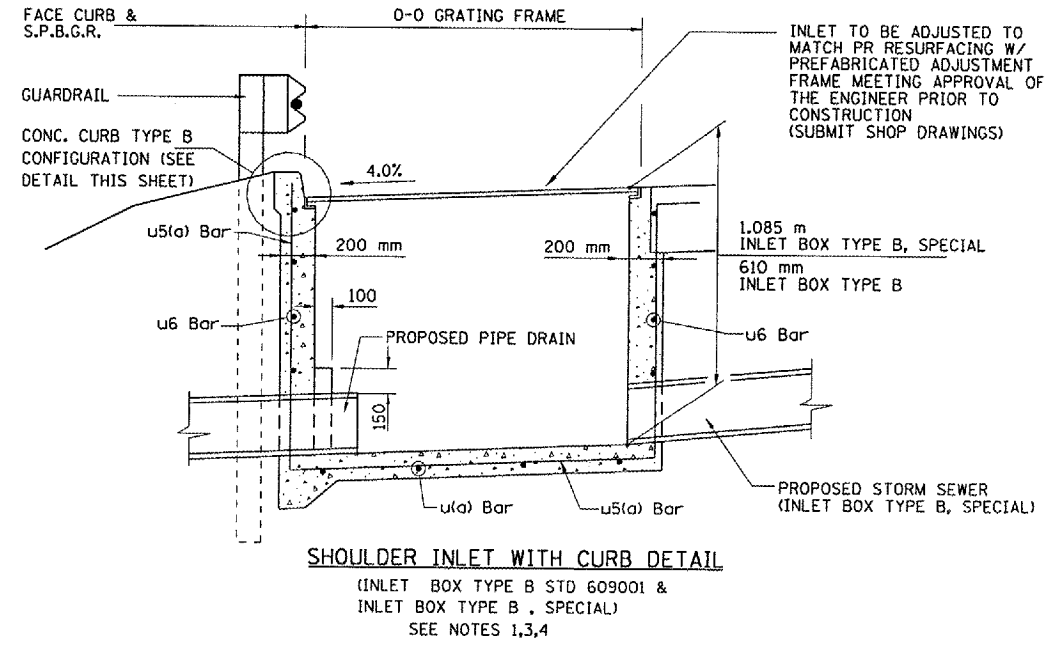
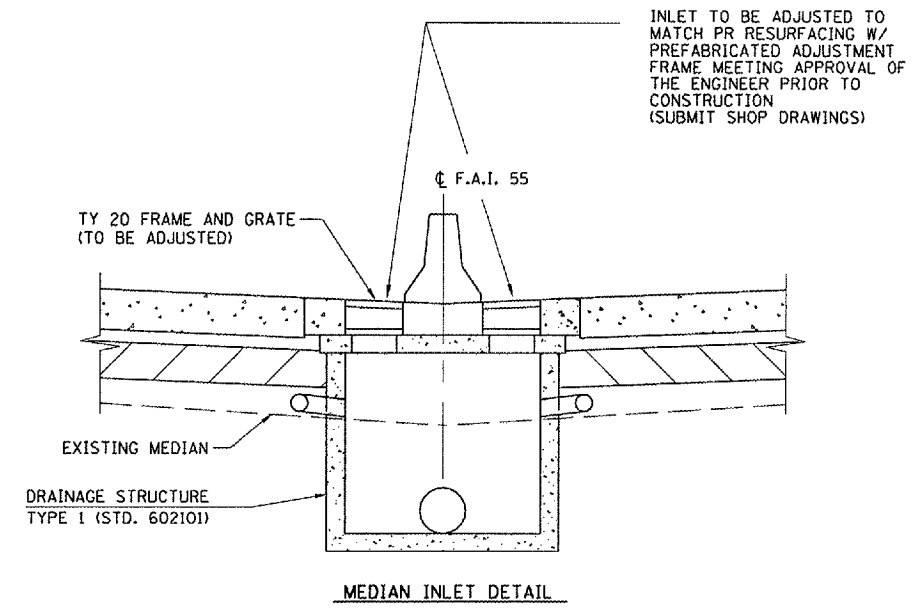


72908

FBI NO.	SECTION	COUNTY	TOTAL SHEETS	SHEET NO.
55	84-4B-1	SANGAMON	8	7
FED. ROAD DIST. NO.	ROUTE	FED. AID PROJECT		



CONCRETE CURB DETAIL

NOTE:
PROVIDE CURB DETAIL ON ALL TYPE B INLETS, BOTH SPECIAL AND STANDARD. CURB TO MATCH CURB ON ADJACENT SHOULDER PAVEMENT.

- NOTES
1. INLET DETAILS SHOWN ARE FROM THE ORIGINAL CONSTRUCTION PLANS AND ARE PROVIDED TO SHOW INLETS TO BE ADJUSTED.
 2. GRATES OF ALL SHOULDER INLETS SHALL BE MECHANICALLY FASTENED TO THE STRUCTURE TO THE SATISFACTION OF THE ENGINEER. THE COST OF THIS WORK SHALL BE INCLUDED IN THE COST OF THE INLET ADJUSTMENT.
 3. SEE STANDARDS FOR DIMENSIONS & DETAILS NOT SHOWN

LAYOUT	JAD	04/07/06
DRAWN	SRP	08/02/06
REVIEWED	JMM	04/07/06
LAYOUT	NLH	07/06/98
DRAWN	CLG	07/06/98
REVIEWED	JMM	07/06/98

ILLINOIS DEPARTMENT OF TRANSPORTATION
 F.A.I. 55
 SECTION 84-4B-1
 SANGAMON COUNTY

DRAINAGE DETAILS

JOB NO.
DATE
5/27/2005