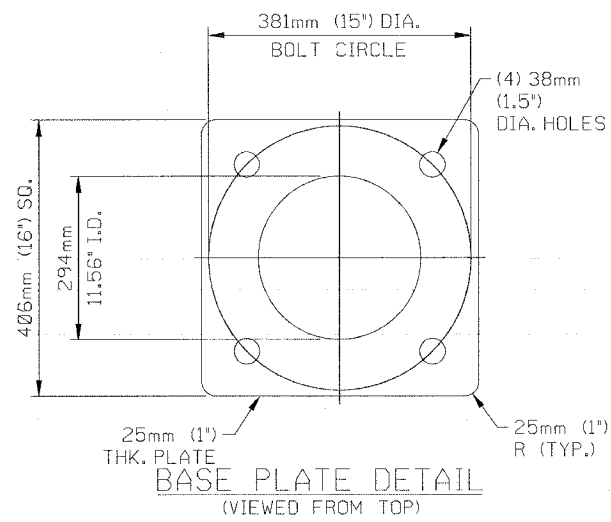
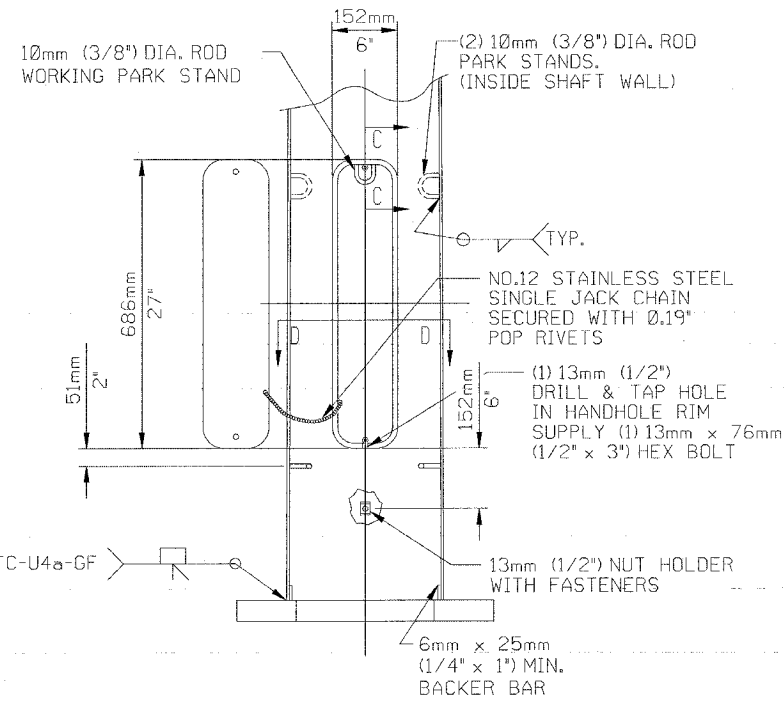
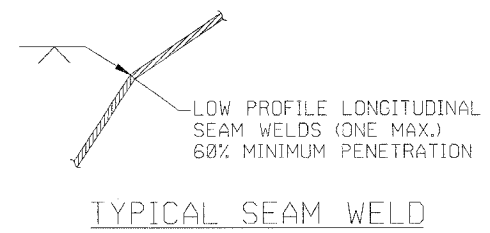
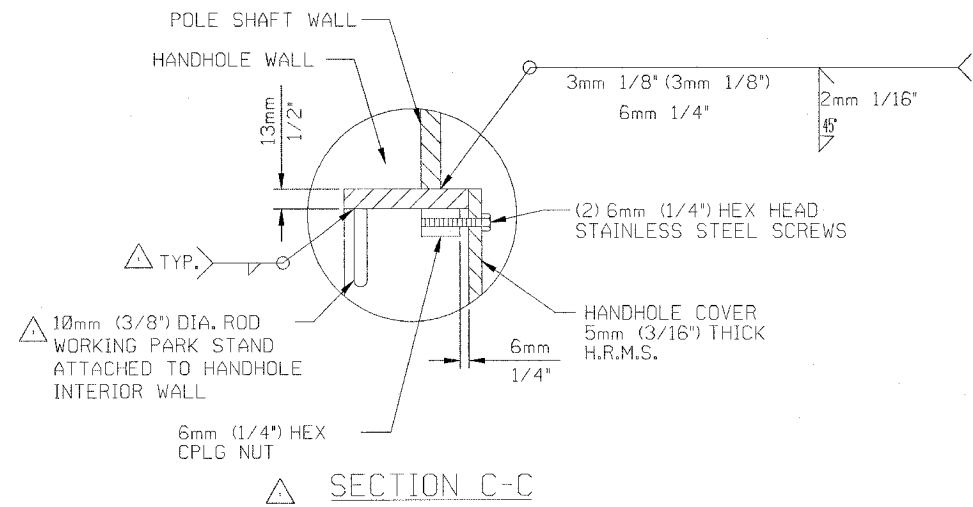
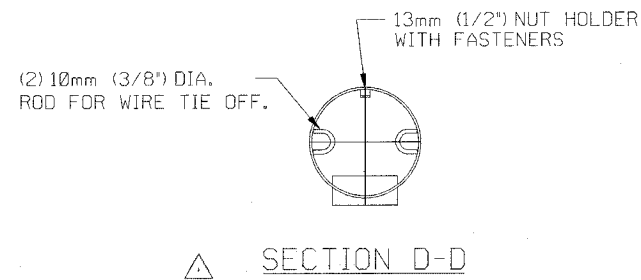


ROUTE	SECTION	COUNTY	TOTAL SHEETS	SHEET NO.
•	••	•••	25	8
STA. _____		TO STA. _____		
FED. ROAD DIST. NO. _____		ILLINOIS FED. AID PROJECT ••••		

• FAI 55/70 CONTRACT# 76966
 •• DIST 8 ITS 2006-1
 ••• MADISON & ST. CLAIR



△ 6x27 HANDHOLE DETAIL



△ SECTION D-D

REVISIONS	
NAME	DATE

ILLINOIS DEPARTMENT OF TRANSPORTATION
 POLE MOUNTED CCTV DETAIL WITH
 CAMERA LOWERING DEVICE 3 OF 3
 FAI 55/70
 SECTION DIST 8 ITS 2006-1
 MADISON AND ST. CLAIR COUNTY

SCALE: _____ DRAWN BY MAM
 DATE 05/02/05 CHECKED BY CAF