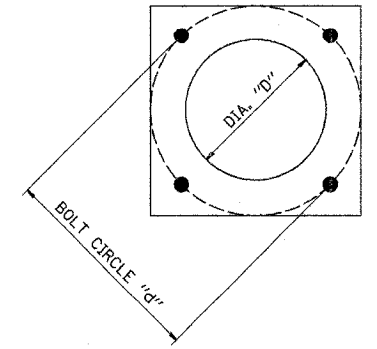


P.A. NO.	SECTION	COUNTY	TOTAL SHEETS	SHEET NO.
1569	02-00025-00-LT	COOK	14	11
STA.	TO STA.			
FED. ROAD DIST. NO.	BLINDS	FED. AID PROJECT		
CONTRACT NO. - 83711				

NOTES:

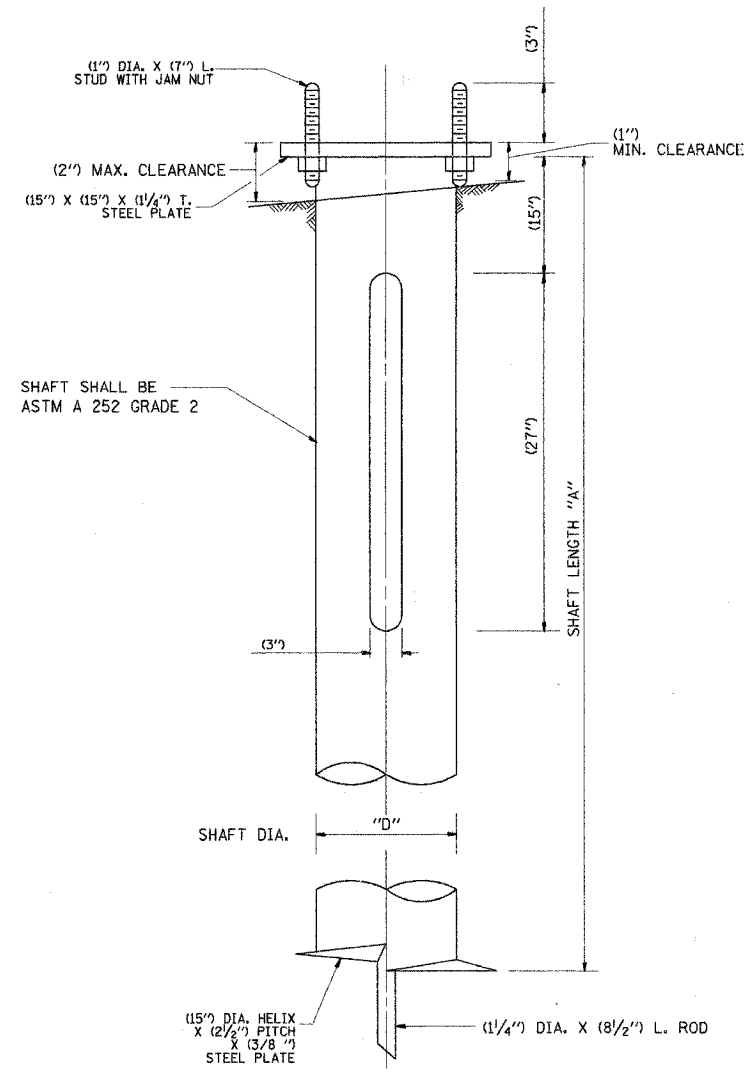
1. THE HELIX FOUNDATION SHAFT BASE PLATES, HELICAL PLATE, HELIX SCREW, PILOT POINT, AND STOCK BAR SHALL BE ASTM A36 STRUCTURAL STEEL OR BETTER.
2. ALL WELDS SHALL BE CONTINUOUS AND NOT LESS THAN (1/4 ") FILLET WELDS. THE WELDED FOUNDATION SHALL BE CAPABLE OF WITHSTANDING (10,000 FT/LBS) OF INSTALLATION TORQUE APPLIED ABOUT THE AXIS OF THE FOUNDATION.
3. THE ENTIRE HELIX FOUNDATION SHALL BE HOT DIPPED GALVANIZED AFTER FABRICATION IN ACCORDANCE WITH ASTM A123, GRADE B. NO TOUCH-UP WILL BE PERMITTED.
4. THE HARDWARE, STUDS, JAM NUTS, AND HEX NUTS SHALL BE ASTM A325 STEEL OR BETTER FLAT AND LOCK WASHERS SHALL BE OF STEEL. THE ANCHOR BOLTS, NUTS, AND WASHERS SHALL BE HOT DIPPED GALVANIZED IN ACCORDANCE WITH ASTM A153. HEX NUTS SHALL BE IN CONFORMANCE WITH ASTM A563, GRADE A AND WASHERS SHALL BE IN CONFORMANCE WITH ASTM F436.
5. THE HELIX FOUNDATION SHAFT SHALL BE INSTALLED VERTICAL AND THE BASE PLATE SHALL BE IN LEVEL. THE BREAKAWAY COUPLINGS AND HARDWARE SHALL NOT BE USED TO ALIGN THE POLE INSTALLATION.
6. THE CABLE TRENCH SHALL BE BACKFILLED AND FIRMLY COMPACTED BEFORE THE INSTALLATION OF THE LIGHT POLE.
7. ANCHOR BOLTS SHALL BE (1-INCH) DIAMETER AND SHALL COMPLY WITH THE REQUIREMENTS OF ASTM DESIGNATION A687.
8. THE CONTRACTOR SHALL COORDINATE EXTENSION OF ANCHOR BOLTS ABOVE TOP OF FOUNDATION WITH THE BREAKAWAY DEVICE MANUFACTURER'S REQUIREMENTS.
9. CONTRACTOR SHALL FILL HOLLOW FOUNDATION WITH DENSELY PACKED SAND AS SPECIFIED.



FOUNDATION DESIGN TABLE

TYPE OF SOIL	DESIGN DEPTH OF FOUND'N		REINFORCEMENT IN FOUNDATION			
	SINGLE ARM D	TWIN ARM D	SINGLE ARM		TWIN ARM	
			VERT BARS	SPIRAL	VERT BARS	SPIRAL
SOFT CLAY	13'-0"	15'-0"	8-#6 X 12'-6"	#3 X 122'	8-#6X14'X3'	#3 X 141'
MEDIUM CLAY	9'-6"	10'-9"	8-#6 X 9'-0"	#3 X 90'	8-#6 X 10'-0"	#3 X 100'
STIFF CLAY	7'-0"	8'-0"	8-#6 X 6'-6"	#3 X 66'	8-#6 X 7'-6"	#3 X 76'
LOOSE SAND	9'-0"	10'-0"	8-#6 X 8'-6"	#3 X 85'	8-#6 X 9'-6"	#3 X 94'
MEDIUM SAND	8'-3"	9'-0"	8-#6 X 8'-0"	#3 X 78'	8-#6 X 8'-6"	#3 X 85'
DENSE SAND	7'-9"	9'-0"	8-#6 X 7'-6"	#3 X 73'	8-#6 X 8'-6"	#3 X 85'
ROCK OR SOLIDIFIED SLAG	5'-0"	5'-0"	NONE	NONE	NONE	NONE

(FROM IDOT STANDARD FOUNDATION DRAWING)



HELIX FOUNDATION SIZE

POLE MOUNTING HEIGHT	BOLT CIRCLE "d"	SHAFT LENGTH "A"		SHAFT DIA. "D"
		ON FLAT GROUND	ON 2:1 OR STEEP SLOPE	
(47-1/2 FT.)	(15")	(10'-0")	(10'-0")	(10")
(40 FT.)	(15")	(6'-0")	-	(8")

METAL FOUNDATION DETAIL

REVISIONS	
NAME	DATE

ILLINOIS DEPARTMENT OF TRANSPORTATION
73rd STREET (FAU 1569)
VILLAGE OF BEDFORD PARK
LIGHT POLE FOUNDATION, METAL

SCALE: NONE
DATE **DATE**

DRAWN BY DB
CHECKED BY

DATE-TIME
DGN-SPEC
VI-BE20