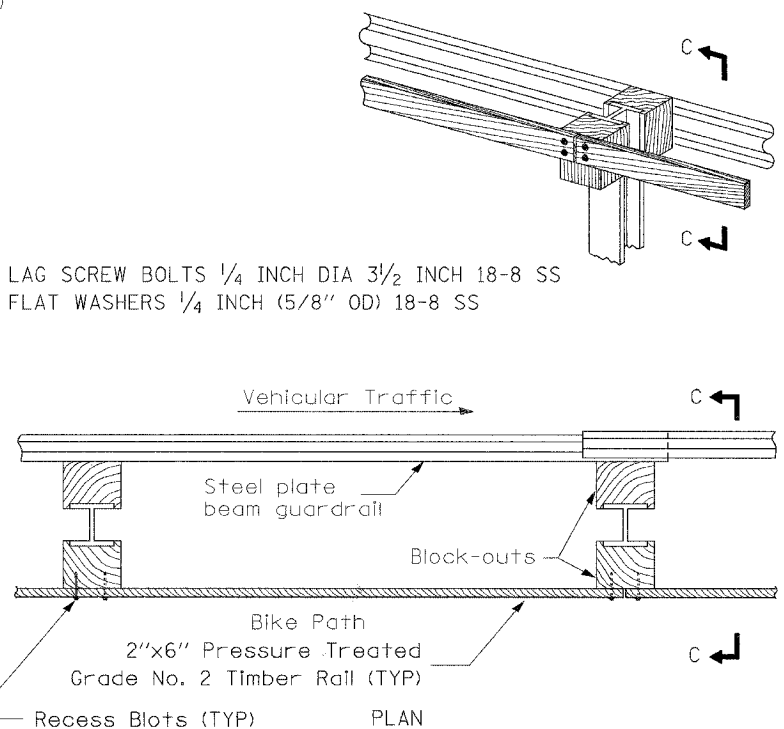
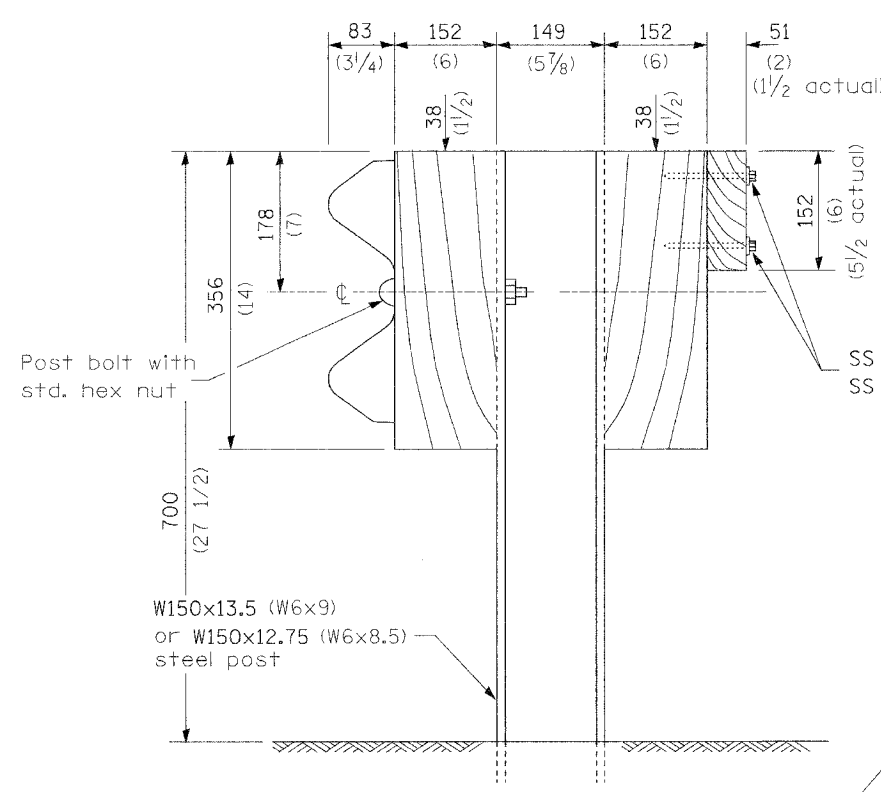
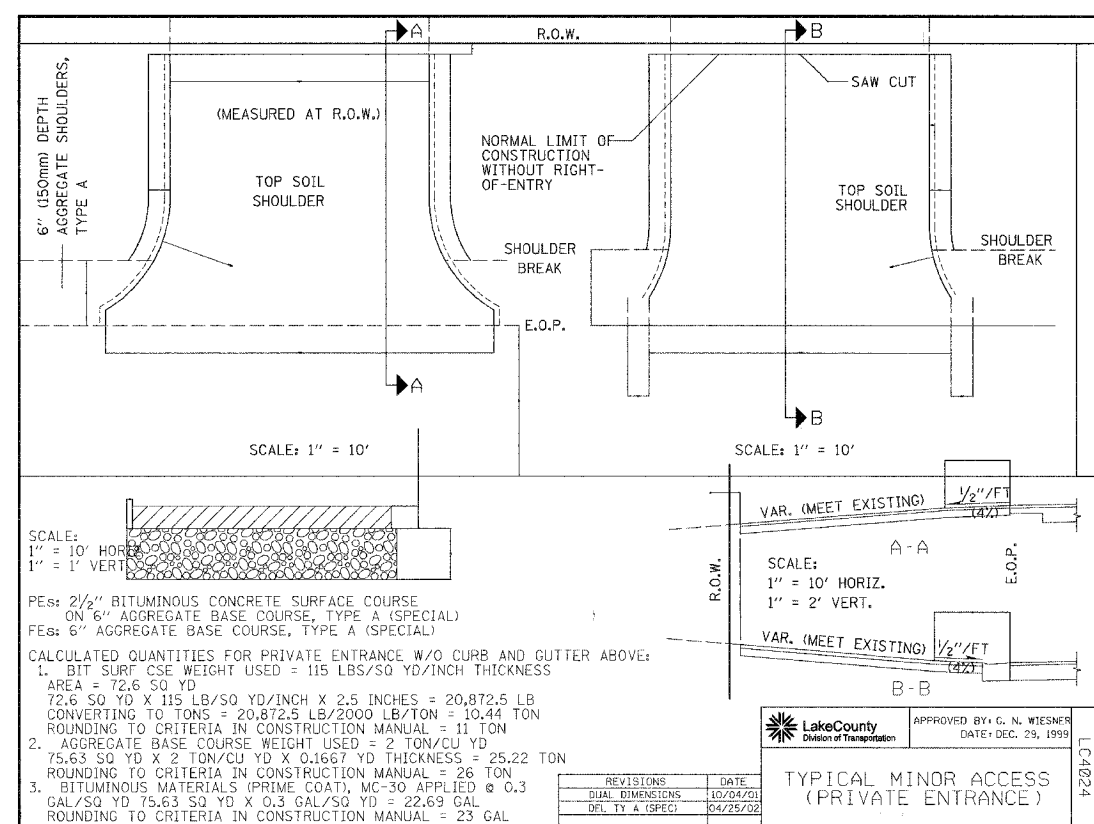


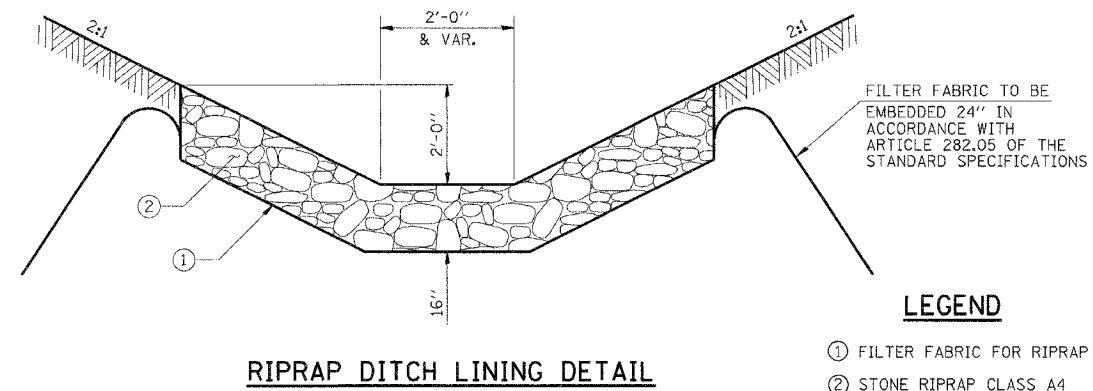
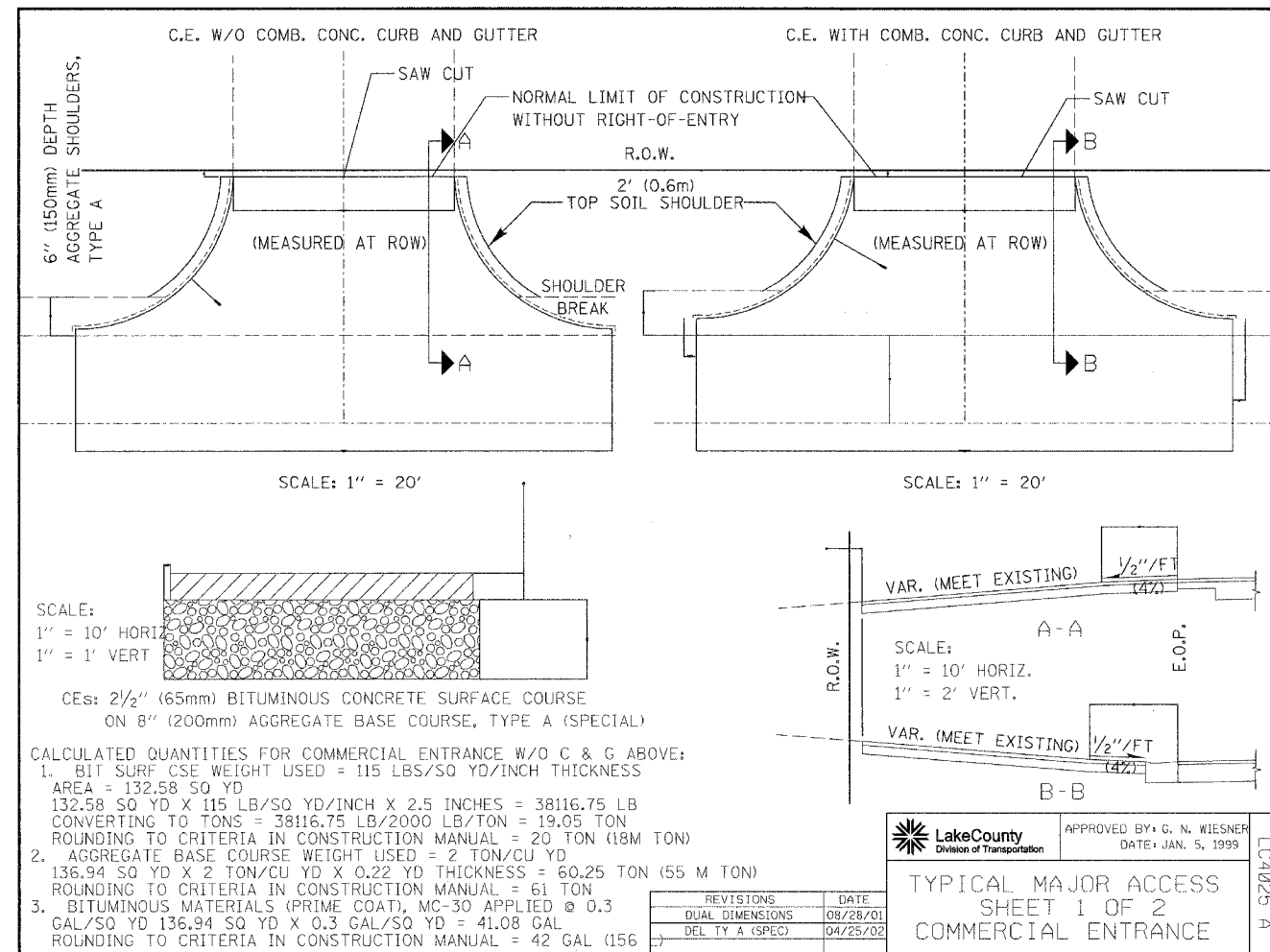
ROUTE NO.	SECTION	COUNTY	SHEET NO.	TOTAL SHEETS
C.H. 14	99-00076-11-BR	LAKE	66	11
FED. ROAD DIST. NO.		ILLINOIS	FED. AID PROJECT-	

CONTRACT NO: 83763



TIMBER RAIL DETAIL "C-C"
STEEL POST CONSTRUCTION

TIMBER RAIL
Steel plate beam guardrail and bike path rail



RIPRAP DITCH LINING DETAIL

- LEGEND**
- ① FILTER FABRIC FOR RIPRAP
 - ② STONE RIPRAP CLASS A4

	Rice, Berry and Associates A Division of Hampton, Lenzini and Renwick, Inc. Civil & Structural Engineers 801 S. Durkin Drive Springfield, Illinois 62704 217-546-3400	MISCELLANEOUS DETAILS SECTION 99-00076-11-BR C.H. 14 / MILLBURN ROAD LAKE COUNTY
	Account Number 12-07-0043-1 Date: 06/28/04 DESIGNED: S.W.M. CHECKED: L.F.S. DRAWN: W.J.S.	