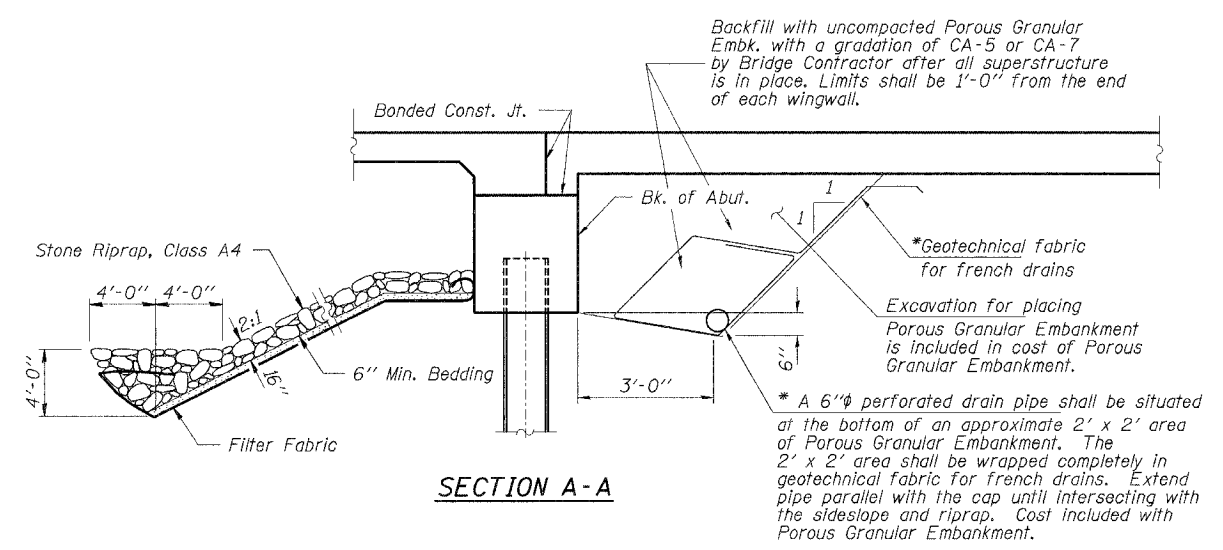
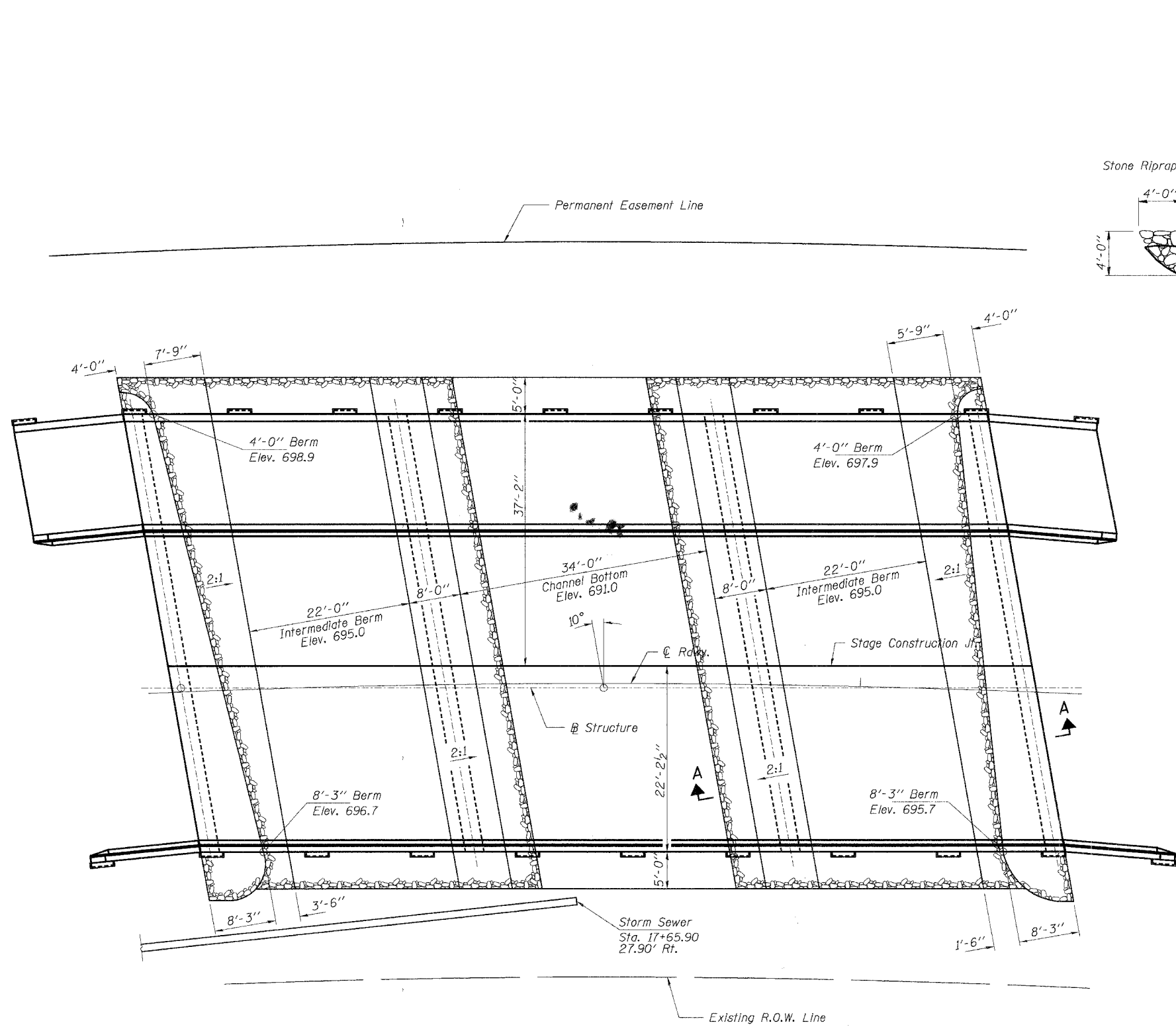


ROUTE NO. C.H. 14	SECTION 99-00076 -11-BR	COUNTY LAKE	SHEETS 66	SHEET 23
FED. ROAD DIST. NO.		ILLINOIS	FED. AID PROJECT	

CONTRACT NO: 83763



SECTION A-A

PLAN

	Rice, Berry and Associates A Division of Hampton, Lenzini and Renwick, Inc. Civil & Structural Engineers 801 S. Durkin Drive Springfield, Illinois 62704 217-546-3400	RIPRAP LAYOUT MILLBURN ROAD / CH 14 SECTION 99-00076-11-BR LAKE COUNTY STATION 17+65
	Account Number 12-07-0043-1 Date: 05/23/05 DESIGNED: S.M.S. CHECKED: S.W.M. DRAWN: D.B.	