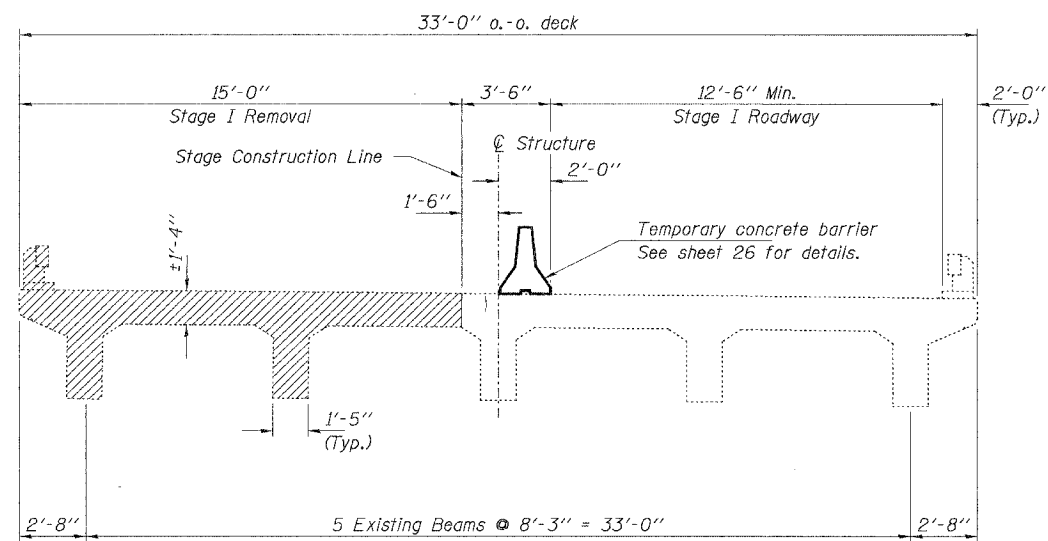
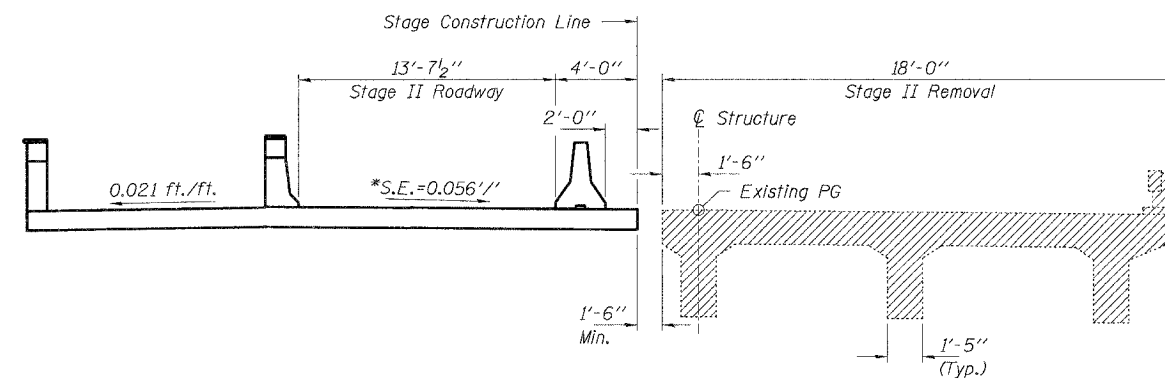


ROUTE NO.	SECTION	COUNTY	TOTAL SHEETS	SHEET NO.
C.H. 14	99-00076 -II-BR	LAKE	66	24
FED. ROAD DIST. NO.	ALIGNMENT	FED. AID PROJECT		

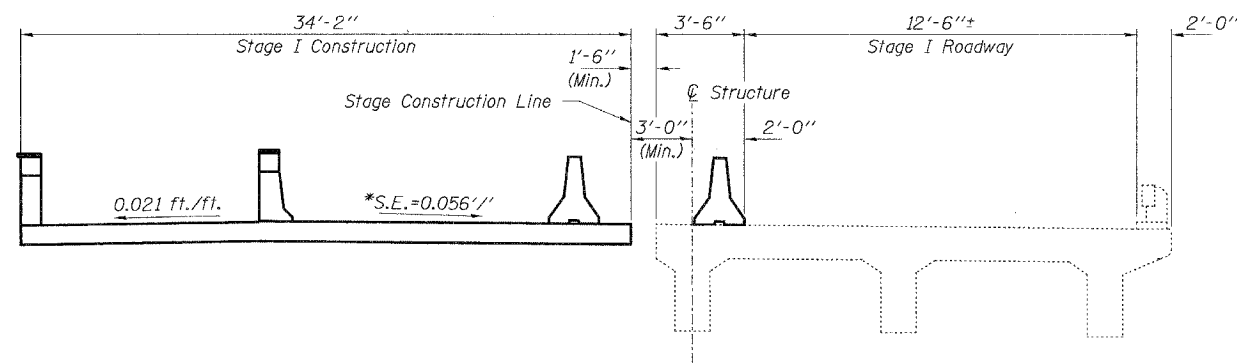
CONTRACT NO: 83763



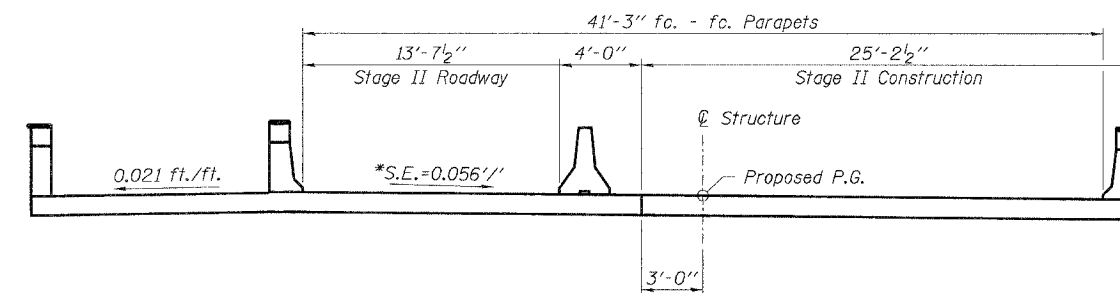
**STAGE I REMOVAL**  
(Looking East)



**STAGE II REMOVAL**  
(Looking East)



**STAGE I CONSTRUCTION**  
(Looking East)



**STAGE II CONSTRUCTION**  
(Looking East)

**HLR**  
Rice, Berry and Associates  
A Division of Hampton,  
Lenzini and Renwick, Inc.  
Civil & Structural Engineers  
801 S. Durkin Drive  
Springfield, Illinois 62704  
217-546-3400  
P.O. Box 1036  
DuQuoin, Illinois 62832  
618-790-4637  
Account Number  
12-07-0043-1  
Date: 7-22-04  
DESIGNED: S.W.M. CHECKED: M.G.B. DRAWN: D.T.M.

**ROADWAY STAGE DETAILS**  
MILLBURN ROAD / CH 14  
SECTION 99-00076-II-BR  
LAKE COUNTY  
STATION 17+65