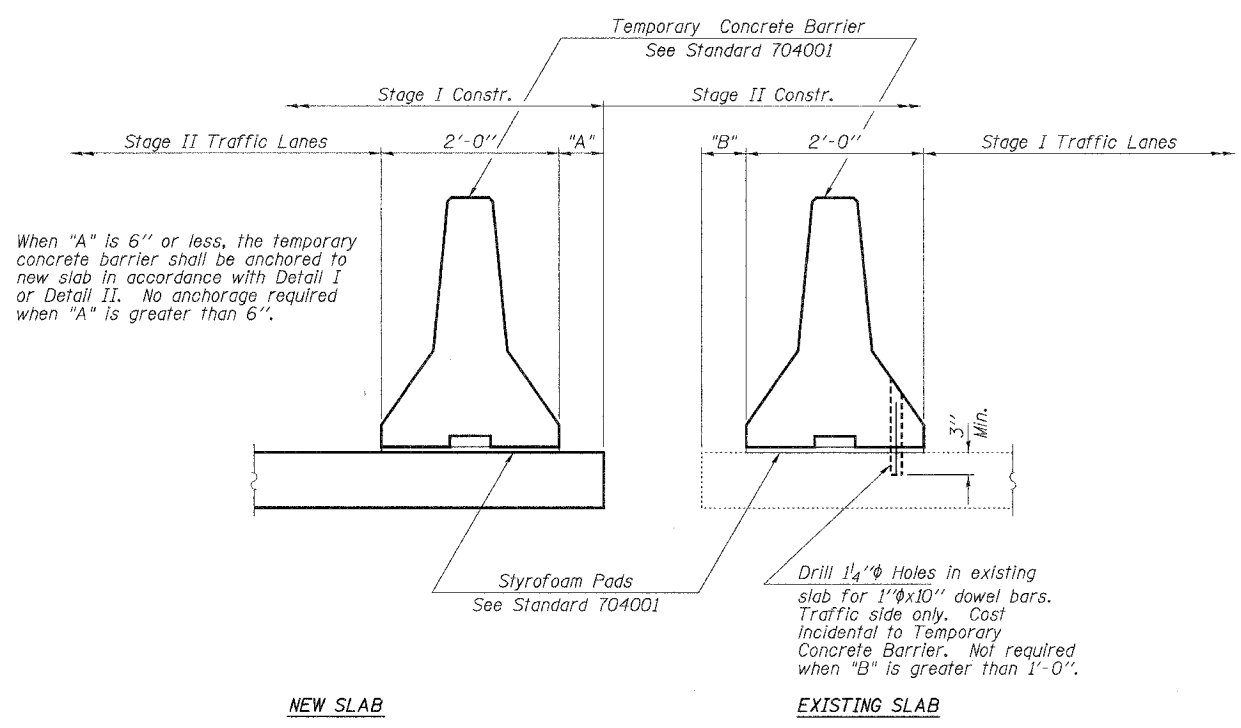


ROUTE NO.	SECTION	COUNTY	TOTAL SHEETS	SHEET NO.
C.H. 14	99-00076 -II-BR	LAKE	66	25
FED. ROAD DIST. NO.	ILLINOIS	FED. AID PROJECT		

CONTRACT NO: 83763



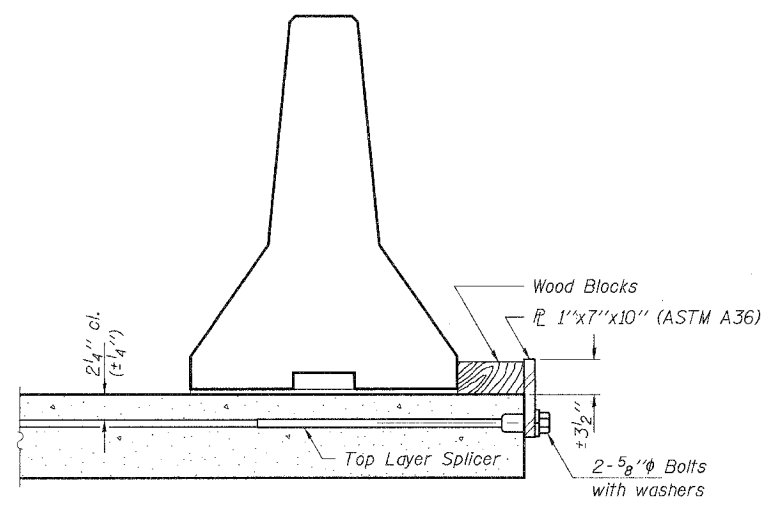
**SECTIONS THRU SLAB**

**NOTES**

Detail I - With Bar Splicer or Couplers:  
Connect one (1) 1" x 7" x 10" steel  $\bar{P}$  to the top layer of couplers with 2-5/8"  $\phi$  bolts screwed to coupler at approximate  $\bar{C}$  of each 10'-0" barrier panel.

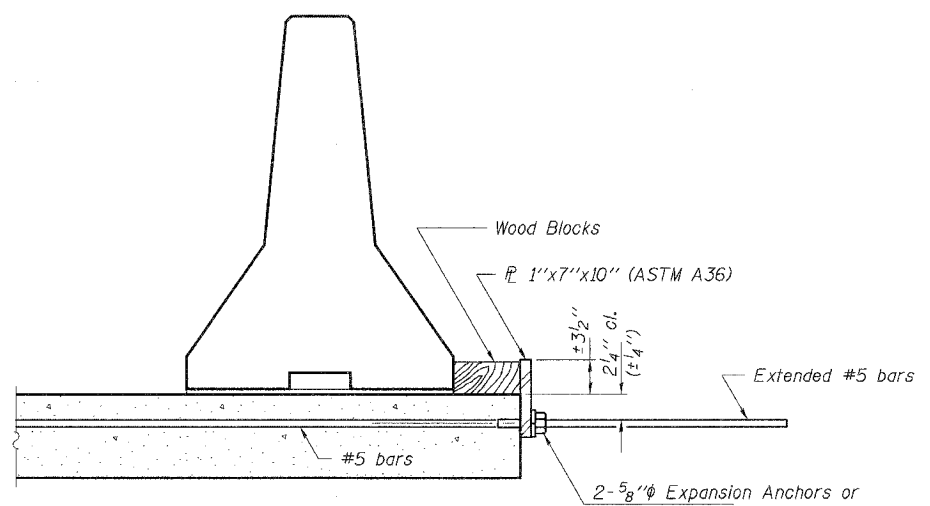
Detail II - With Extended Reinforcement Bars:  
Connect one (1) 1" x 7" x 10" steel  $\bar{P}$  to the concrete slab with 2-5/8"  $\phi$  Expansion Anchors or cast in place inserts spaced between the top layer of reinforcement at approximate  $\bar{C}$  of each 10'-0" barrier panel.

Cost of anchorage is incidental to Temporary Concrete Barrier.



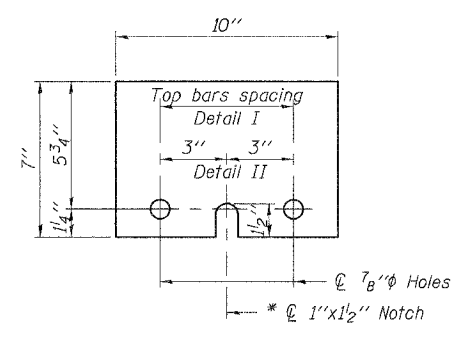
**DETAIL I**

The 1" x 7" x 10" Plate shall not be removed until Stage II Construction forms and reinforcement bars are in place.



**DETAIL II**

The 1" x 7" x 10" Plate shall not be removed until Stage II Construction forms and all reinforcement bars are in place and the concrete is ready to be placed.



**1" x 7" x 10"**

\* Required only with Detail II

	Rice, Berry and Associates A Division of Hampton, Lenzini and Renwick, Inc. Civil & Structural Engineers 801 S. Durkin Drive Springfield, Illinois 62704 217-546-3400	<b>TEMPORARY CONCRETE BARRIER FOR STAGE CONSTRUCTION</b> MILLBURN ROAD / CH 14 SECTION 99-00076-II-BR LAKE COUNTY STATION 17-65
	Account Number 02-07-0043-1 Date: 7-22-04 DESIGNED: S.W.M.    CHECKED: M.G.B.    DRAWN: D.T.M.	