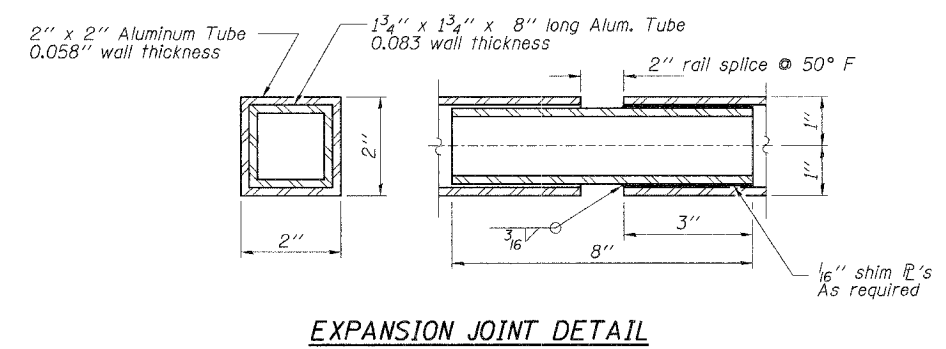
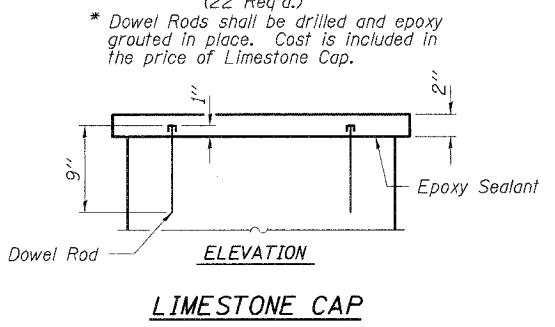
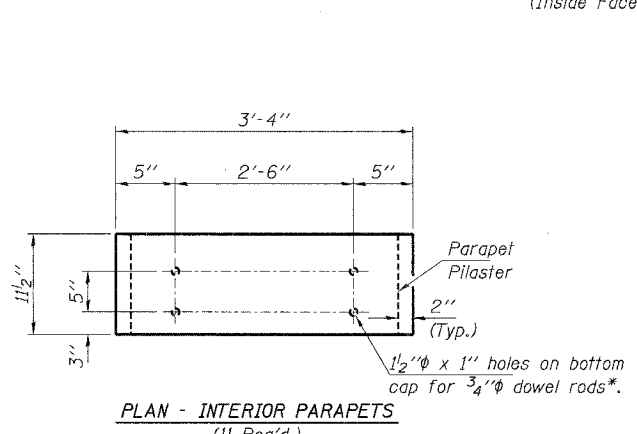
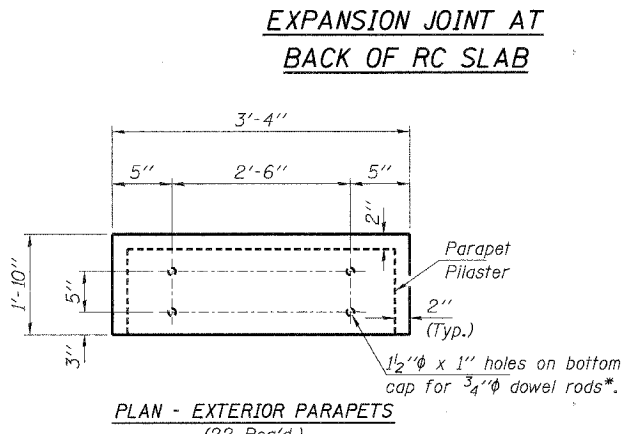
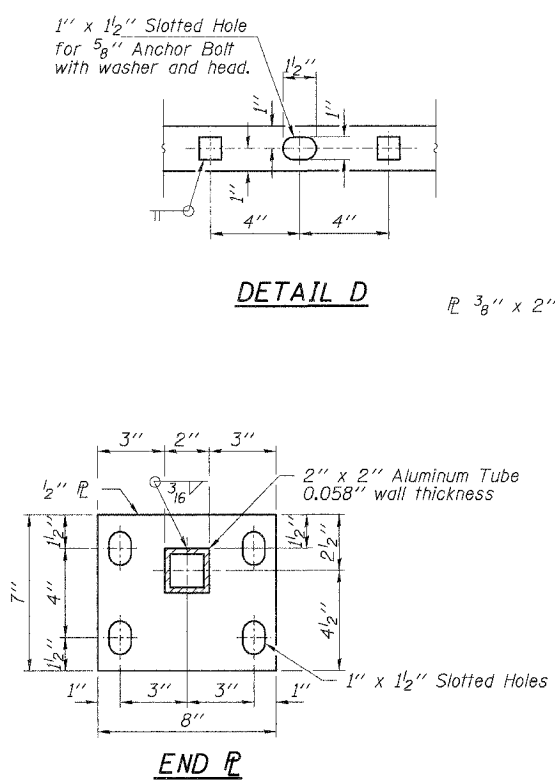
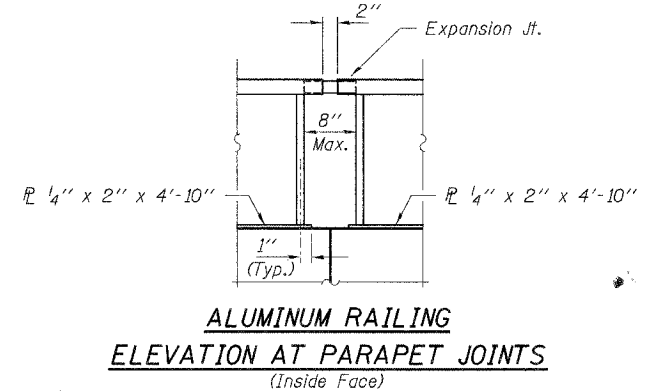
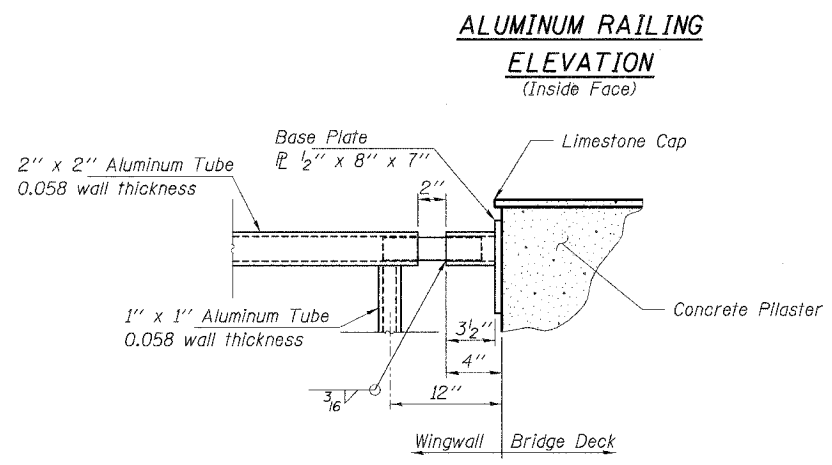
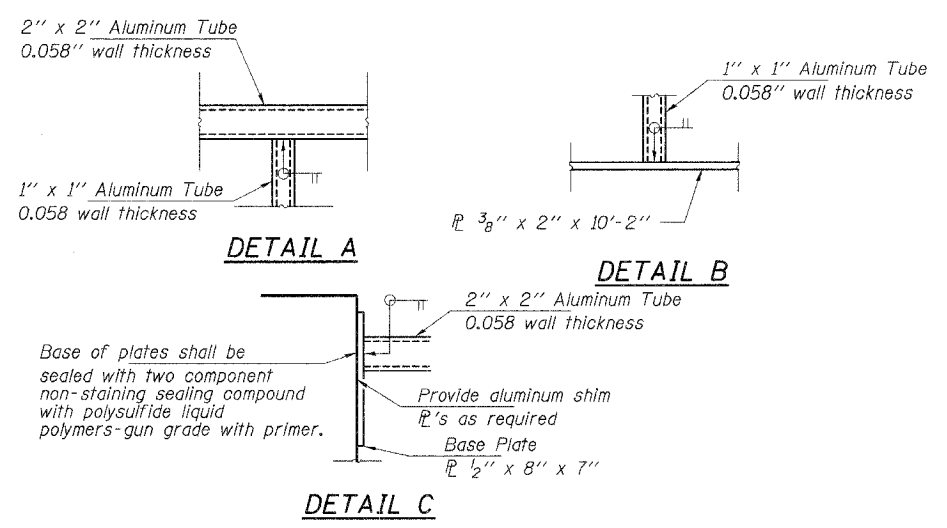
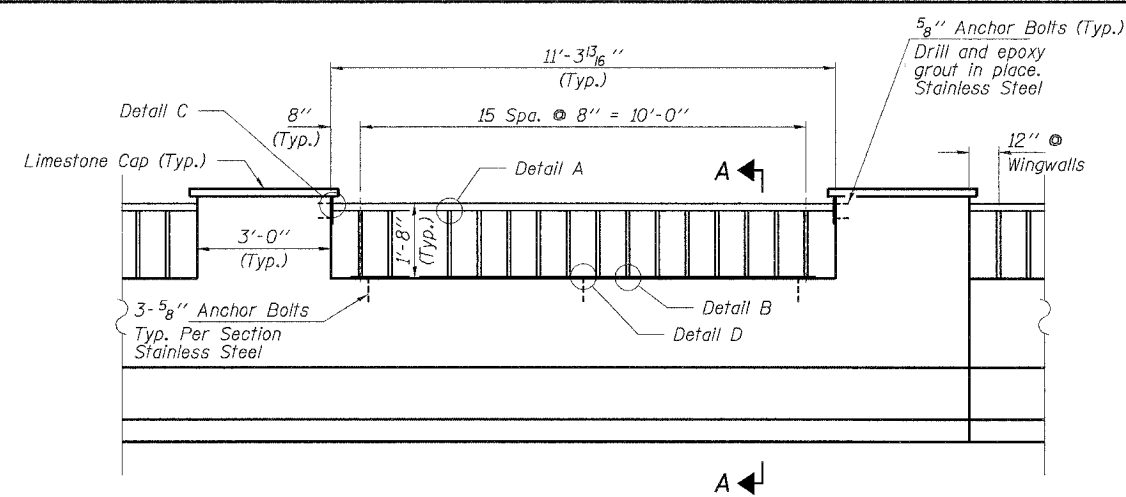


| | | | | |
|---------------------|----------------|--------|------------------|--------------|
| PROJECT NO. | SECTION | COUNTY | SHEET | TOTAL SHEETS |
| C.H. 14 | 99-00076-11-BR | LAKE | 66 | 32 |
| FED. ROAD DIST. NO. | ILLINOIS | | FED. AID PROJECT | |

CONTRACT NO: 83763



NOTES

Railing shall be according to Section 509 of the Standard Specifications, except as noted, and will be paid for at the Contract Unit Price per foot for Aluminum Railing.

Hollow structural sections and plates shall conform to the requirements of ASTM designation B 221 alloy 6061-T6 or 635-T5 with min. yield 35 ksi, min. tensile 38 ksi, and elongation of 10% in 2", structural aluminum tubing.

The Parapet Railing, furnished and installed shall be included in the unit bid price for Concrete Superstructure.

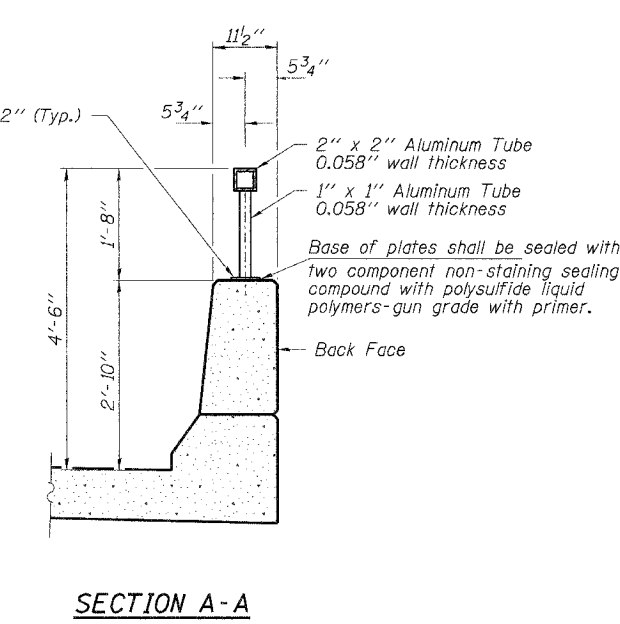
If the option of drilling and epoxy grouting the anchor rods is chosen, the Contractor shall use the capsule or the adhesive cartridge type anchor rods that have been previously tested and given a prior approval by the Department. The Contractor shall install these anchor rods in pre-drilled holes according to the manufacturer's recommendations and procedures. The capsule or the adhesive cartridge shall be sealed with pre-measured amounts of the adhesive chemical.

Space reinforcement to miss anchor rods.

All post, railing, splices, anchor devices, and bent plates shall be powder coated with a black semi-gloss finish after fabrication.

All anchor bolts, nuts, and washers shall be Stainless Steel. After installation the stainless steel materials shall be cleaned and painted to match the Aluminum Railing in accordance with Section 506 of the Standard Specifications. Price of the anchor assemblies and paint shall be included with Aluminum Railing.

Minimum wall thickness for Aluminum tubing is 0.058 inches.



BILL OF MATERIAL

| Item | Unit | Quantity |
|------------------|------|----------|
| Aluminum Railing | Foot | 344 |
| Limestone Cap | Each | 33 |

HLR Rice, Berry and Associates
 A Division of Hampton, Lenzini and Renwick, Inc.
 Civil & Structural Engineers
 801 S. Durkin Drive
 Springfield, Illinois 62704
 217-546-3400
 P.O. Box 1036
 DuQuoin, Illinois 62832
 618-790-4637

Account Number 12-07-0043-1
 Date: 05/23/05
 DESIGNED: S.M.S. CHECKED: S.W.M. DRAWN: D.B.

CAP STONE & RAILING DETAILS
 MILLBURN ROAD / CH 14
 SECTION 99-00076-11-BR
 LAKE COUNTY
 STATION 17+65