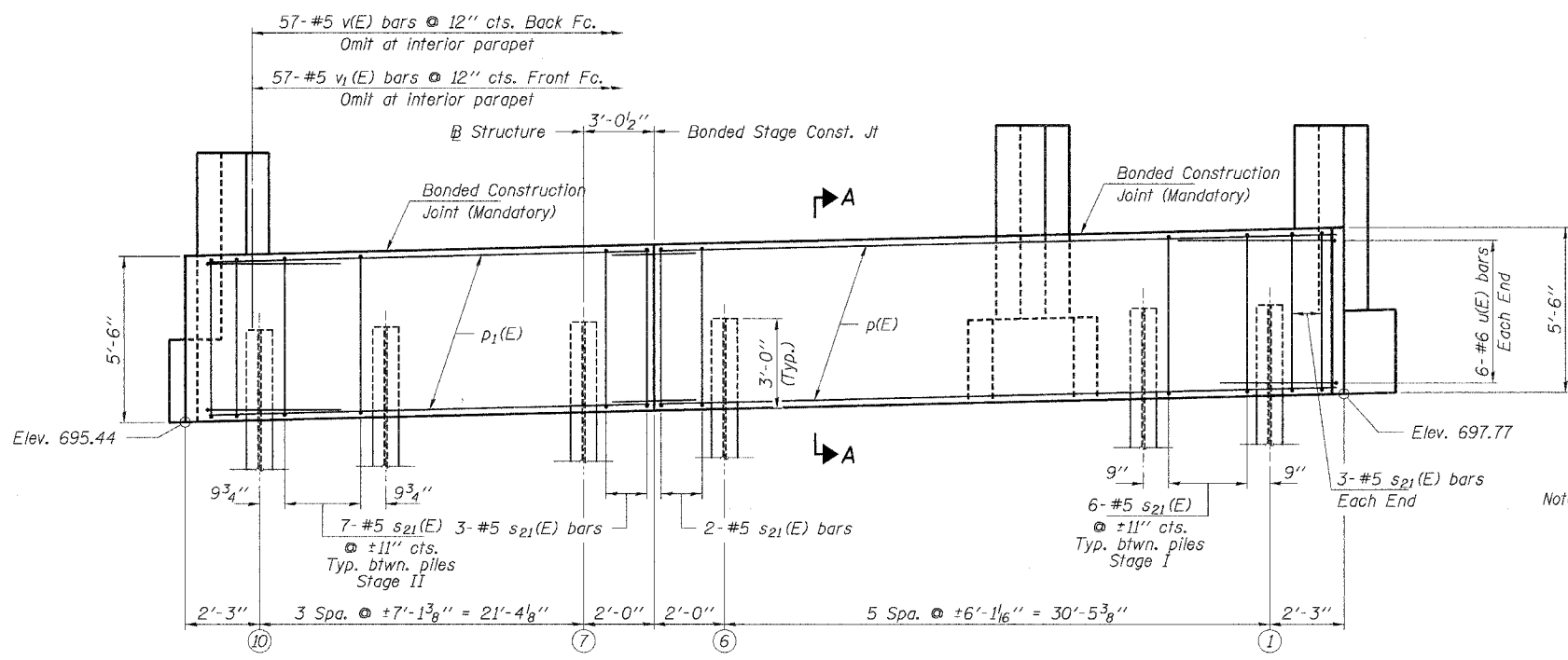
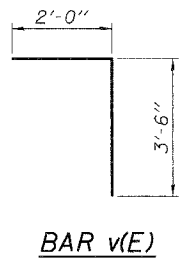
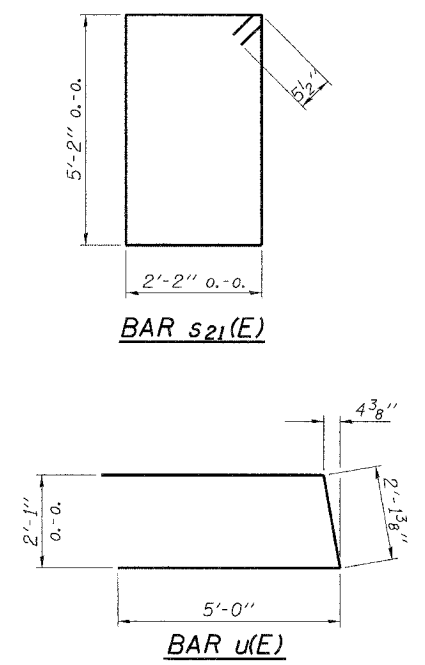
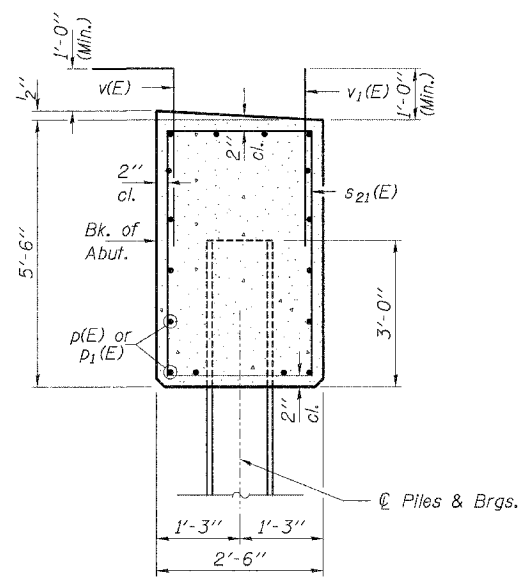
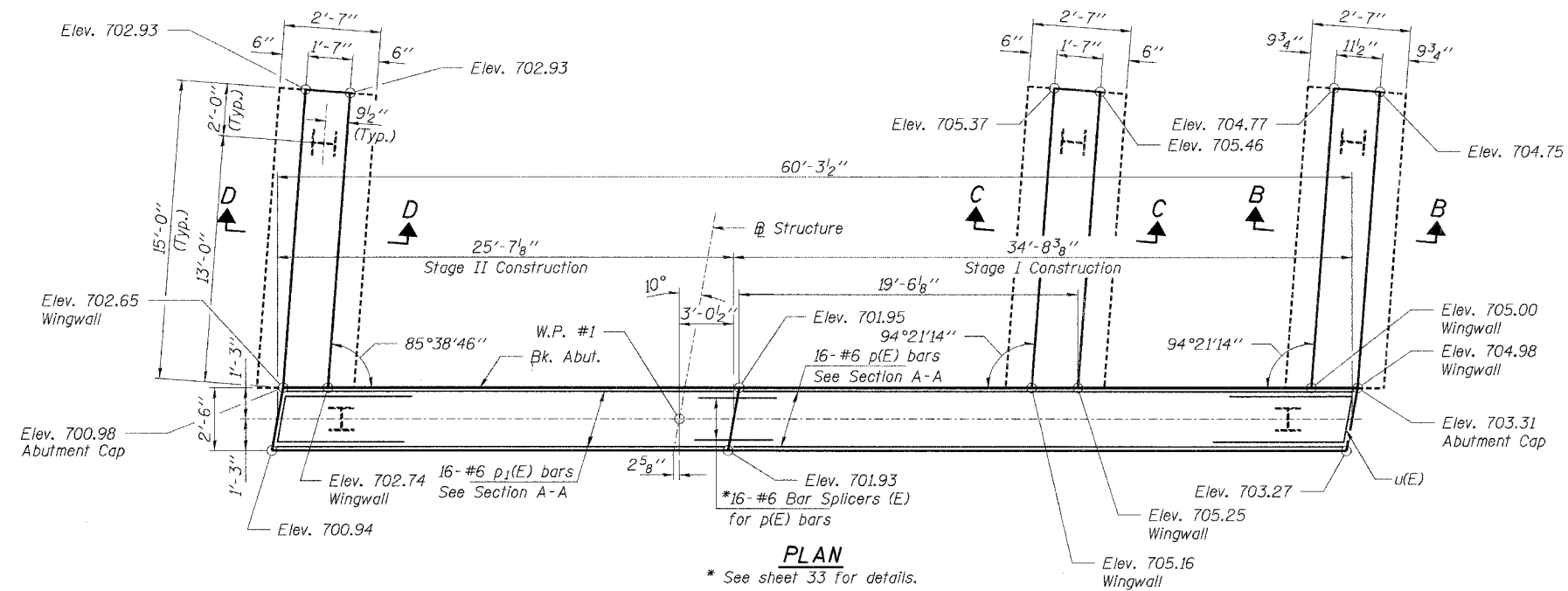


CONTRACT NO: 83763



Notes:
All reinforcement bars shall be epoxy coated.
See sheet 36 for Section B-B and wingwall reinforcement.
Pile spacing may be adjusted up to a 9'-0" spacing in order to span the existing gas line along the north ROW line. Only as approved by the Engineer.

BILL OF MATERIAL - W. ABUT.

BAR	NO.	SIZE	LENGTH	SHAPE
d ₆ (E)	28	#4	5'-9"	—
d ₇ (E)	62	#5	4'-9"	—
h(E)	30	#5	14'-8"	—
h ₁ (E)	36	#5	9'-0"	—
p(E)	16	#6	34'-4"	—
p ₁ (E)	16	#6	25'-3"	—
s ₂₁ (E)	62	#5	15'-7"	□
s ₂₂ (E)	48	#5	9'-9"	□
u(E)	12	#6	12'-2"	—
v(E)	57	#5	5'-6"	—
v ₁ (E)	57	#5	3'-6"	—
v ₂ (E)	96	#5	8'-4"	—
w(E)	30	#5	14'-8"	—
Concrete Structures			Cu. Yd.	52.8
Reinf. Bars, Epoxy Coated			Pound	6,190
Steel Piles HP12x53			Foot	720
Test Pile Steel HP12x53			Each	1
Bar Splicers			Each	16

TOP PILE ELEVATIONS

Pile	10	9	8	7	6	5	4	3	2	1
Elevation	698.53	698.80	699.08	699.35	699.50	699.74	699.98	700.21	700.45	700.68

WINGWALLS
Type: Steel HP12x53
No. Req'd. (Wings): 3
Capacity: 20 Tons/Pile
Est. Length: 30 Ft./Pile @ W. Abut.

CAP
Type: Steel HP12x53
No. Req'd.: 10
Capacity: 63 Tons/Pile
Est. Length: 70 Ft./Pile @ W. Abut.

* Includes one test pile to be driven in a permanent location at the West Abutment.

FLR
Rice, Berry and Associates
A Division of Hampton, Lenzini and Renwick, Inc.
Civil & Structural Engineers
801 S. Durkin Drive
Springfield, Illinois 62704
217-546-3400

Account Number 12-07-0043-1
Date: 05/23/05

P.O. Box 1036
DuQuoin, Illinois 62832
618-790-4637

DESIGNED: S.M.S. CHECKED: S.W.M. DRAWN: D.B.

WEST ABUTMENT
MILLBURN ROAD / CH 14
SECTION 99-00076-II-BR
LAKE COUNTY
STATION 17+65