

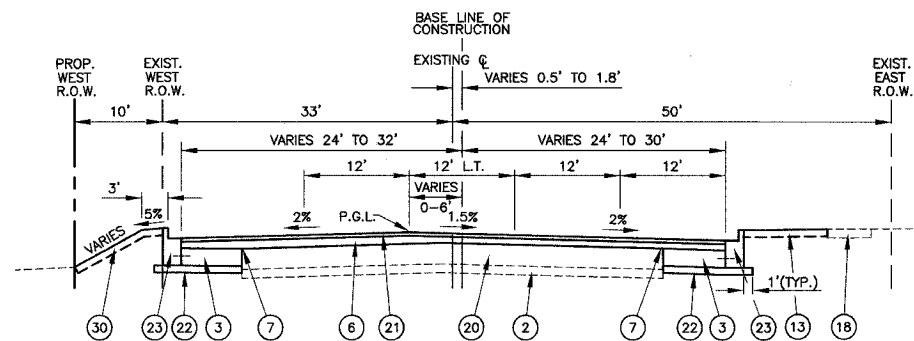
FED. DIST. NO.	SECTION	COUNTY	TOTAL SHEETS	SHEET NO.
1346	*	COOK/DUPAGE	84	7

PROPOSED TYPICAL SECTIONS—WOOD DALE RD. & TONNE RD.  
 FED. ROAD DISTRICT NO. 7 ILLINOIS FED. AID PROJECT M-7003(857)

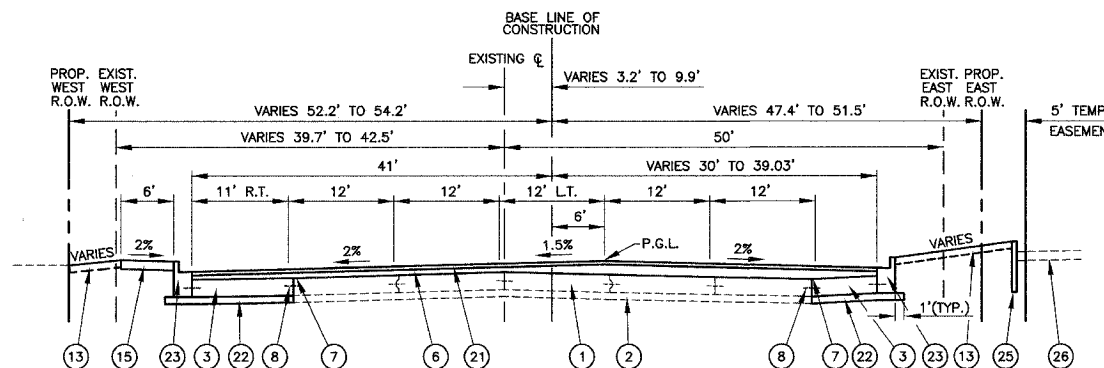
\*ELK GROVE VILLAGE SECTION 98-00041-00-CH  
 CONTRACT NO. 85766

**LEGEND**

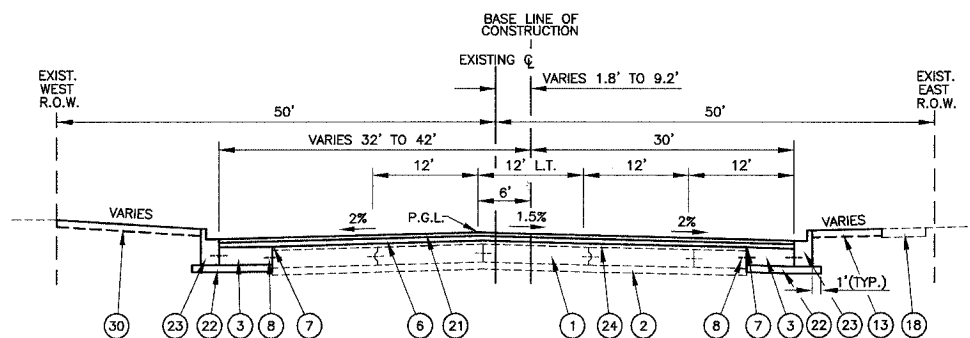
- 1 EXISTING CONCRETE PAVEMENT (TO REMAIN IN PLACE)
  - 2 EXISTING GRANULAR SUB-BASE (TO REMAIN IN PLACE)
  - 3 PROPOSED P.C. CONCRETE BASE COURSE 10"
  - 4 PROPOSED SUB-BASE GRANULAR MATERIAL, TYPE B 6"
  - 5 PROPOSED POLYMERIZED BITUMINOUS CONCRETE BINDER COURSE, SUPERPAVE, IL-19.0, N90 (VAR. THICKNESS, MIN. 2.5")
  - 6 PROPOSED BITUMINOUS CONCRETE BINDER COURSE, SUPERPAVE, IL-19.0, N70 (VAR. THICKNESS, MIN. 2.5")
  - 7 PROPOSED STRIP REFLECTIVE CRACK CONTROL TREATMENT
  - 8 PROPOSED #6 TIE BAR, 24" LONG @ 24" C-C (DRILLED & GROUTED)
  - 9 PROPOSED POLYMERIZED BITUMINOUS CONCRETE SURFACE COURSE, SUPERPAVE, MIX "F", N90 (2")
  - 10 PROPOSED COMBINATION CONCRETE CURB & GUTTER, TYPE B-6.24
  - 11 PROPOSED COMBINATION CONCRETE CURB & GUTTER, TYPE M-2.12 (FLAG DEPTH = 13.75")
  - 12 PROPOSED STABILIZED MEDIAN SURFACE 12"
  - 13 PROPOSED 4" TOPSOIL & SODDING
  - 14 NOT USED
  - 15 PROPOSED P.C. CONCRETE SIDEWALK 5", SPECIAL
  - 16 PROPOSED COMBINATION CONCRETE CURB & GUTTER, TYPE M-2.12
  - 17 PROPOSED CONCRETE MEDIAN, TYPE SB-6.12
  - 18 EXISTING CONCRETE SIDEWALK (TO REMAIN IN PLACE)
  - 19 PROPOSED COMBINATION CONCRETE CURB & GUTTER, TYPE B-6.24 (FLAG DEPTH 13.75")
  - 20 EXISTING BITUMINOUS PAVEMENT (TO REMAIN IN PLACE)
  - 21 PROPOSED BITUMINOUS CONCRETE SURFACE COURSE, SUPERPAVE, MIX "D", N70 (2")
  - 22 PROPOSED SUB-BASE GRANULAR MATERIAL, TYPE B 4"
  - 23 PROPOSED COMBINATION CONCRETE CURB & GUTTER, TYPE B-6.18
  - 24 EXISTING BITUMINOUS SURFACE (TO REMAIN IN PLACE)
  - 25 PROPOSED SAW CUT
  - 26 EXISTING BITUMINOUS PARKING LOT PAVEMENT (TO REMAIN IN PLACE)
  - 27 REMOVAL & DISPOSAL OF UNSUITABLE MATERIAL
  - 28 PROPOSED GEOTECHNICAL FABRIC FOR GROUND STABILIZATION
  - 29 PROPOSED POROUS GRANULAR EMBANKMENT, SUBGRADE
  - 30 PROPOSED 4" TOPSOIL & SEEDING, CLASS 2A WITH EROSION CONTROL BLANKET
  - 31 PROPOSED STRIP REFLECTIVE CRACK CONTROL TREATMENT, SPECIAL
- P.G.L. PROPOSED PROFILE GRADE LINE



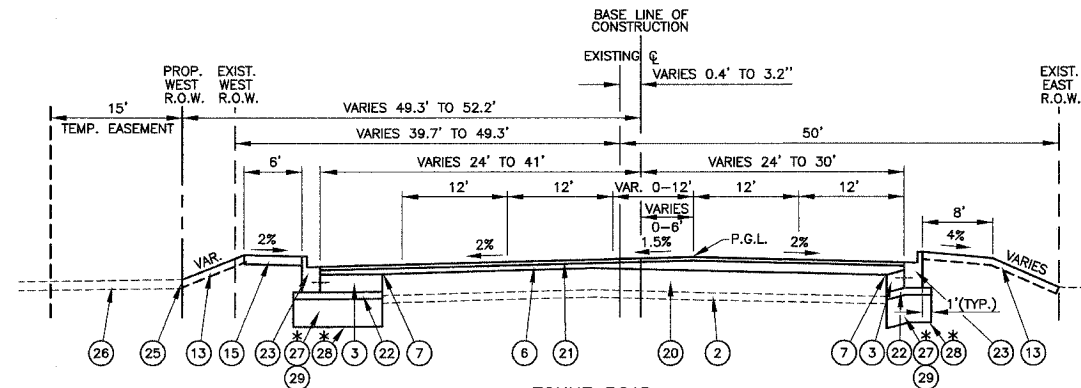
**WOOD DALE ROAD**  
 STA. 304+47.68 TO STA. 308+64.40



**TONNE ROAD**  
 STA. 312+59.85 TO STA. 314+13.10



**WOOD DALE ROAD**  
 STA. 308+64.40 TO STA. 310+34.75



**TONNE ROAD**  
 STA. 314+13.10 TO STA. 317+91.42

\*STA. 314+39 TO STA. 317+50 - 16" DEPTH (AS DIRECTED BY THE ENGINEER)

**SOILS NOTE:**

POROUS GRANULAR EMBANKMENT, SUBGRADE (PGES) HAS BEEN PROVIDED AT THE LOCATIONS INDICATED FOR SOILS WHICH TEND TO BE UNSTABLE WHEN WET. THE ACTUAL NEED FOR REMOVAL AND REPLACEMENT WITH PGES WILL BE DETERMINED IN THE FIELD AT THE TIME OF CONSTRUCTION BY THE ENGINEER (BY USE OF A CONE PENETROMETER IN CONJUNCTION WITH THE IDOT SUBGRADE MANUAL). IF UNSTABLE SOILS ARE ENCOUNTERED, THE SOILS SHALL BE REMOVED AND REPLACED WITH PGES. IF UNSTABLE SOILS ARE NOT ENCOUNTERED, THEN THE QUANTITY WILL BE DEDUCTED AND NO ADDITIONAL COMPENSATION WILL BE DUE THE CONTRACTOR.

THE LIMITS OF UNSTABLE SOILS ARE AT THE APPROXIMATE LOCATIONS AS FOLLOWS:

STA. TO STA.	ESTIMATED UNDERCUT BELOW DESIGN SUBGRADE
314+39 TO 317+50	16" UNDER PROP. WIDENING

REVISIONS	
NAME	DATE

ILLINOIS DEPARTMENT OF TRANSPORTATION

**PROPOSED TYPICAL SECTIONS**  
 WOOD DALE ROAD  
 & TONNE ROAD

NOT TO SCALE

CHECKED BY: RJK  
 DATE: 12/30/04