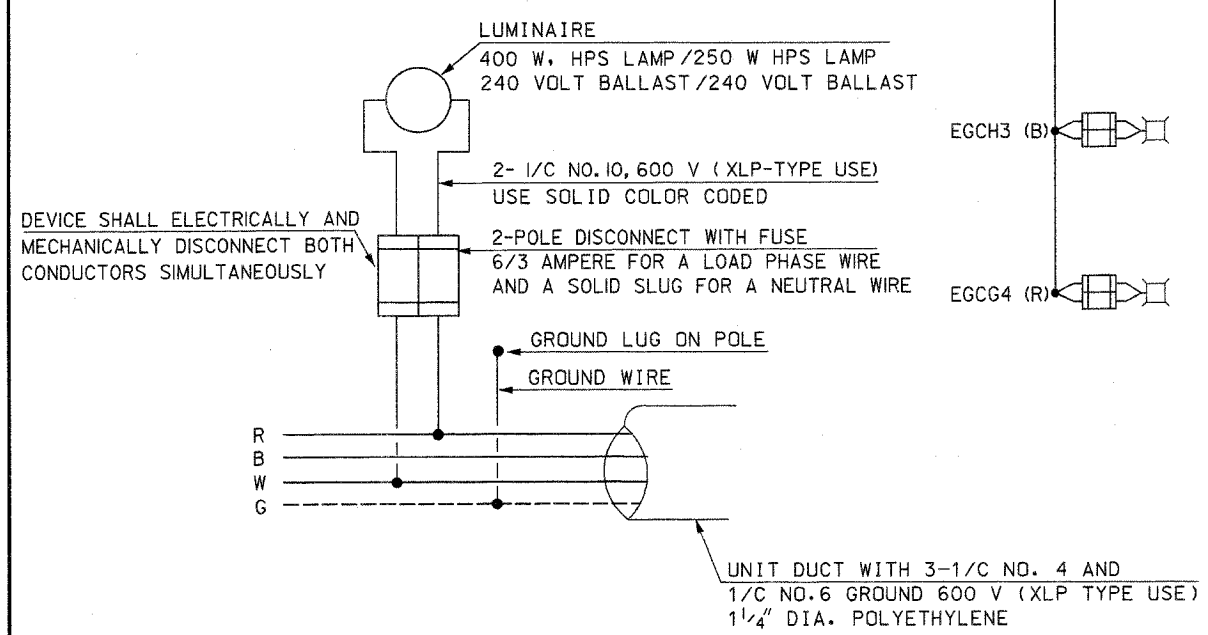
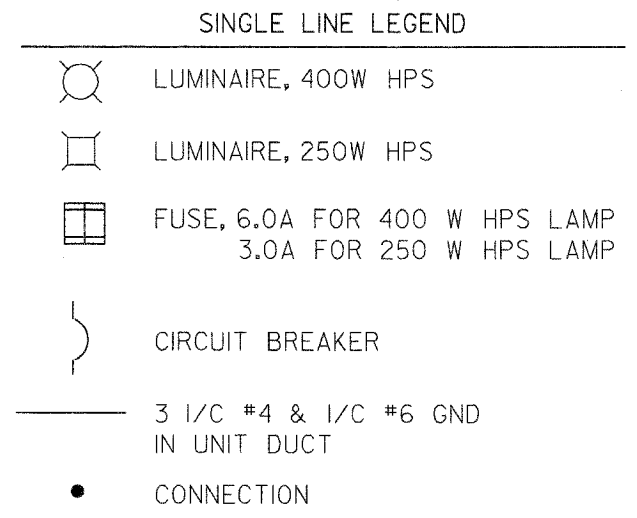
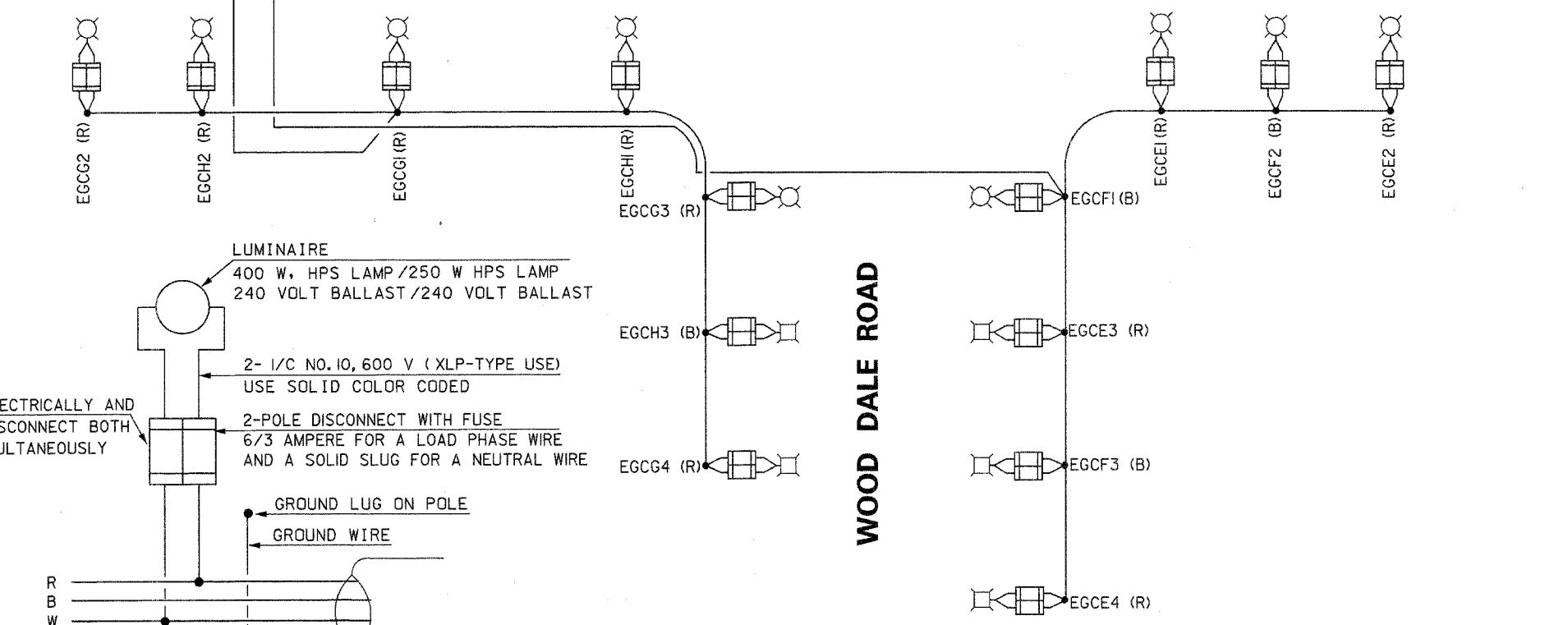
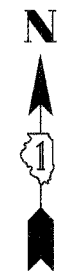


CIRCUIT LOAD

CIRCUIT (R)	LOAD		CIRCUIT (B)	LOAD	
	AMPERE	WATTS		AMPERE	WATTS
A	6.6	1,566	B	5.3	1,261
C	7.3	1,739	D	6.6	1,566
E	6.6	1,566	F	5.3	1,261
G	7.3	1,739	H	5.3	1,261
SPARE			SPARE		
SPARE			SPARE		
TOTAL	27.8	6,610	TOTAL	22.5	5,349



Sunjoy Inc.  
Area Lighting  
212 TIMBERCREST DRIVE  
SCHAUMBURG, ILLINOIS  
60193-1572

ILLINOIS DEPARTMENT OF TRANSPORTATION  
ELK GROVE VILLAGE  
DEVON AVENUE @ WOOD DALE ROAD/TONNE ROAD

**ONE LINE CIRCUIT DIAGRAM  
LIGHTING CONTROLLER "EGV"**

SCALE: DATE: 04-25-04  
DRAWN BY: HMQ  
CHECKED BY: JS

REVISION 09-11-04

C:\sunjoy\projects\devon\_wooddale\ Nov 25, 2004 09:55:48