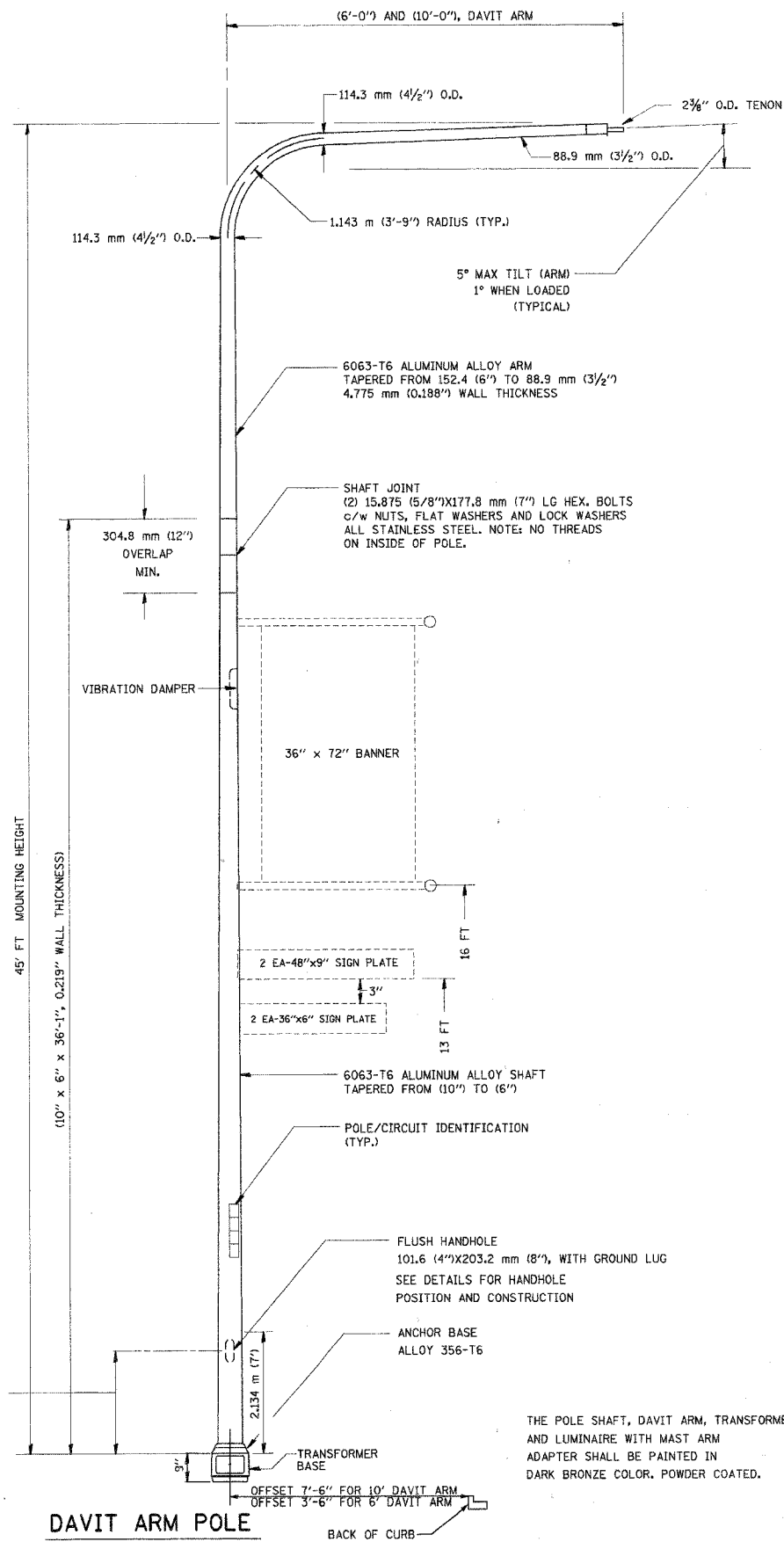


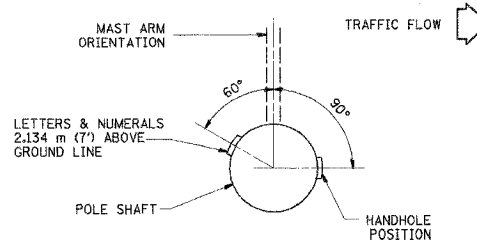
P.A.L. PLS	SECTION	COUNTY	TOTAL SHEETS	SHEET NO
1346	*	COOK/DUPAGE	84	43
STA.	TO STA.			
FED. ROAD DIST. NO. 1	ILLINOIS	FED. AID PROJECT M-7003 (857)		

* ELK GROVE VILLAGE 89-00041-00-CH
CONTRACT NO. 83766



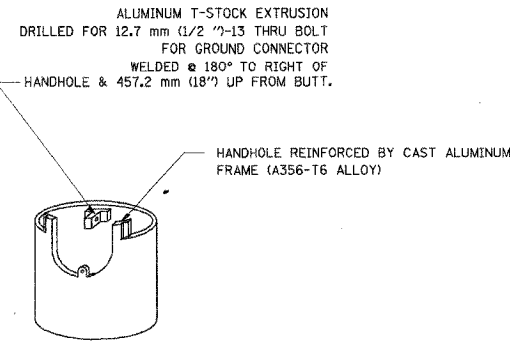
E G ELK GROVE VILLAGE
C CONTROLLER DESIGNATION
G BRANCH CIRCUIT BREAKER
2 POLE NUMBER

POLE NUMBERING TYP.

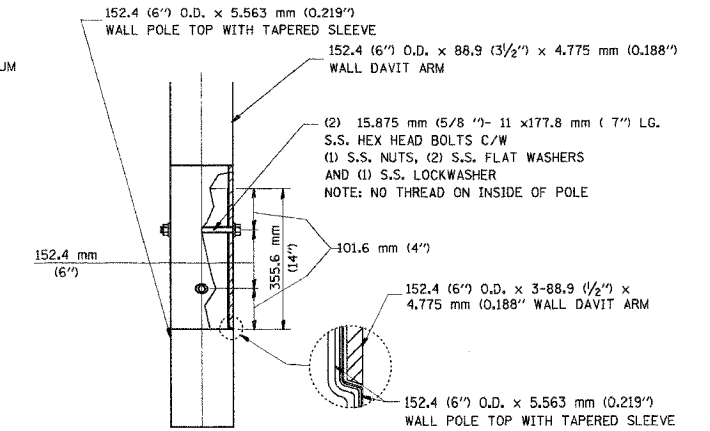


POSITION OF HANDHOLE AND POLE NUMBER FOR SINGLE MAST ARM POLES

* IDENTIFICATION DECALS- LETTER AND NUMERALS SHALL BE IN REFLECTIVE WHITE ON PRESSURE SENSITIVE REFLECTIVE BRONZE SHEETING

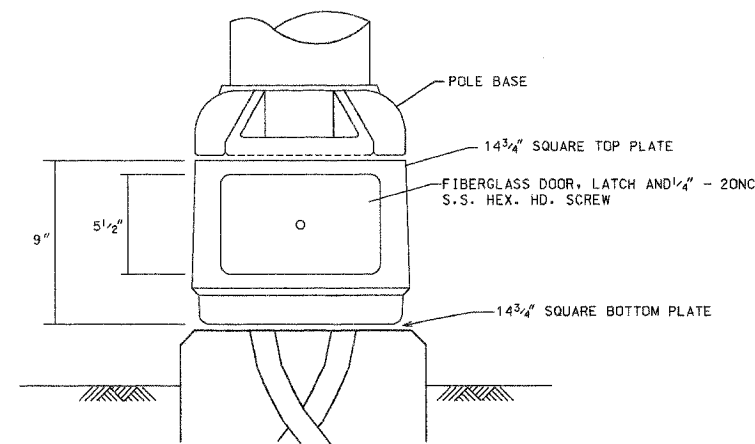


HANDHOLE AND GROUND LUG DETAIL



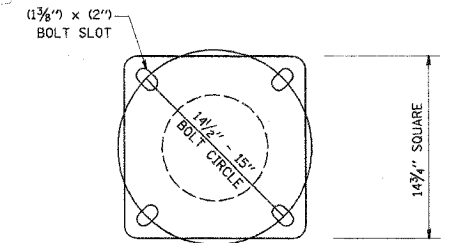
DAVIT ARM CONNECTION

[355.6 mm (14 inches) OVERLAP SHOWN]

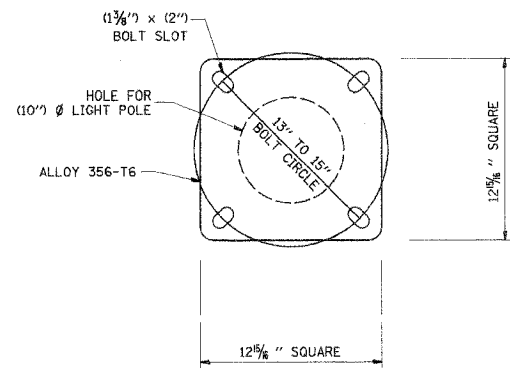


BREAKAWAY DEVICE, TRANSFORMER BASE

THE BREAKAWAY TRANSFORMER BASE SHALL HAVE A LISTING OF APPROVAL BY FHWA COMPLIANCE TO 1985 AASHTO REQUIREMENTS.



TOP/BOTTOM DETAIL TRANSFORMER BASE



LIGHT POLE BASE PLATE DETAIL

NOTES:

1. MOUNTING HEIGHT IS DEFINED AS THE DISTANCE FROM THE CENTERLINE OF THE TENON TO THE BOTTOM OF THE ANCHOR BASE.
2. BOLT SLOTS WILL BE 34.925 (1 3/8 inches) X 50.8 mm (2 inches) CENTERED.
3. TWO PIECE SHAFT WILL BE MATCH MARKED AND INTERCHANGABLE BETWEEN DIFFERENT UNITS. STUD BOLT WILL BE 15.875 mm (5/8 inch) DIA. WITH NUT, FLAT WASHER, AND LOCK WASHER. THERE WILL BE NO THREADS ON THE BOLT INSIDE THE POLE SHAFT.
4. THE LIGHT POLE SHALL MEET A.A.S.H.T.O. DESIGN CRITERIA

THE POLE SHAFT, DAVIT ARM, TRANSFORMER BASE, AND LUMINAIRE WITH MAST ARM ADAPTER SHALL BE PAINTED IN DARK BRONZE COLOR, POWDER COATED.

	ILLINOIS DEPARTMENT OF TRANSPORTATION ELK GROVE VILLAGE DEVON AVENUE @ WOOD DALE ROAD/TONNE ROAD
	DAVIT LIGHT POLE 45' MOUNTING HEIGHT
SCALE: NONE DATE: 04-25-04	DRAWN BY: LEY CHECKED BY:

REVISED 11-25-04

DATE-TIME
DGN-SPEC
VI-BE11