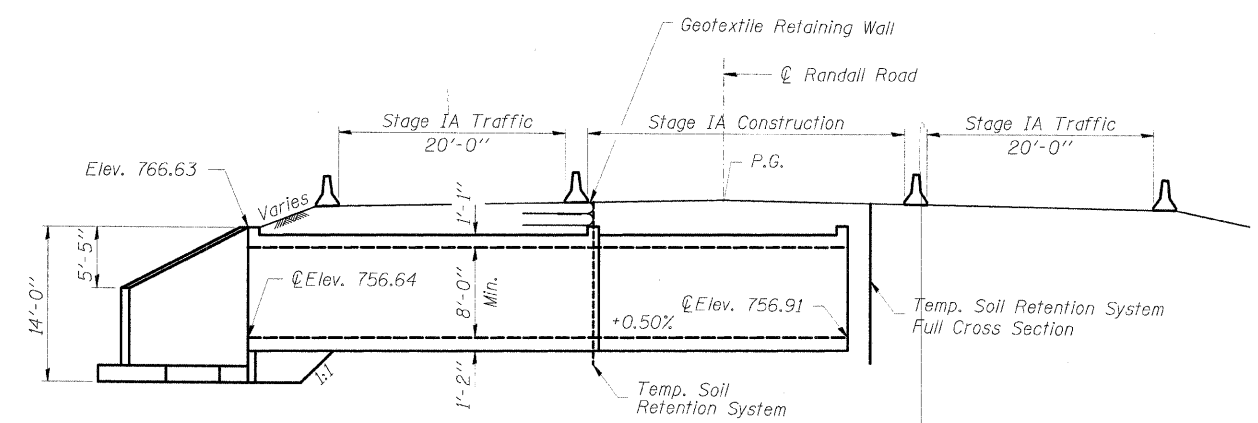
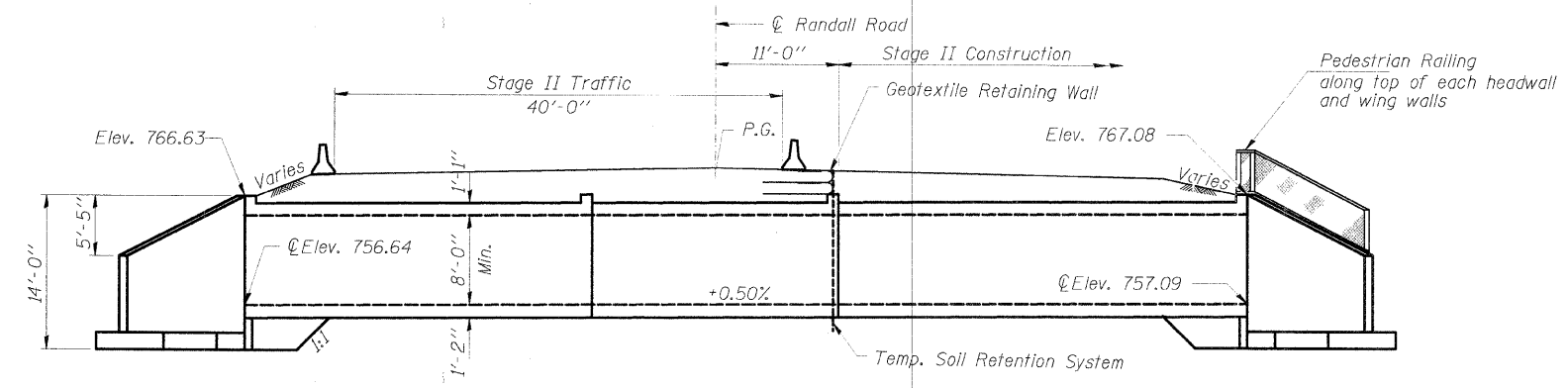


**STAGE I CONSTRUCTION**



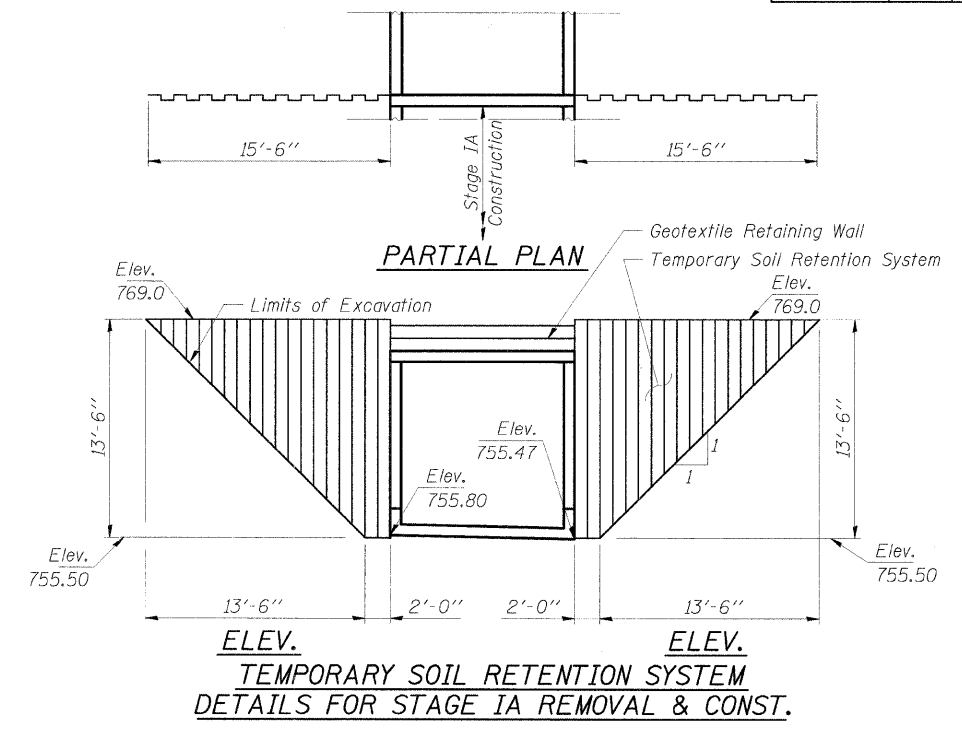
**STAGE IA CONSTRUCTION**



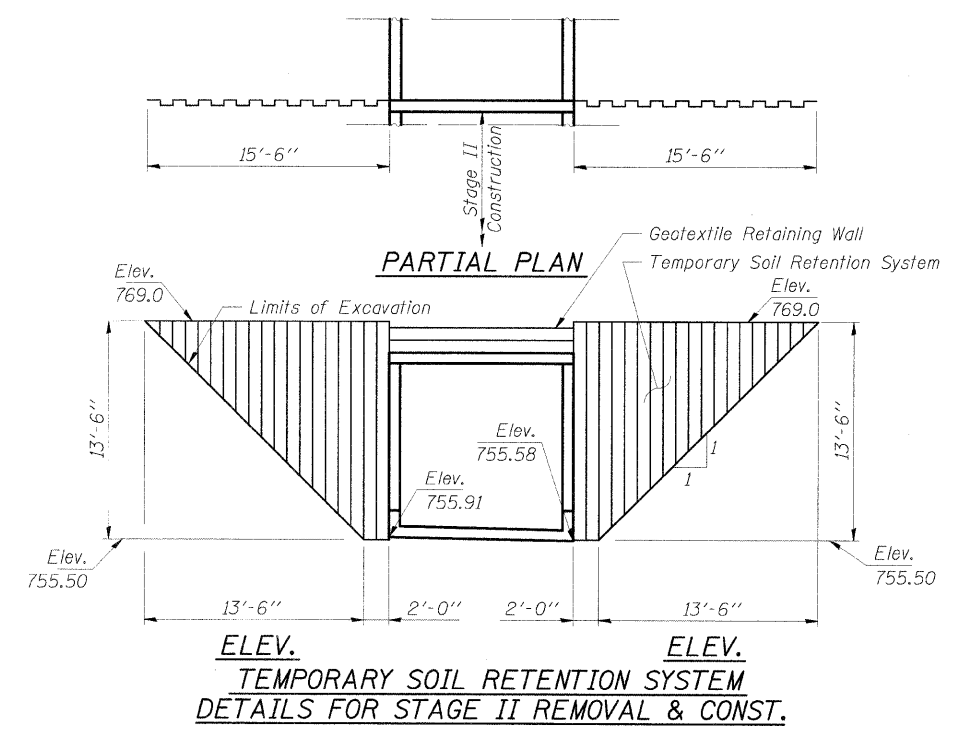
**STAGE II CONSTRUCTION**

Note:  
 "A cantilevered sheet piling design does not appear feasible and additional members or other retention systems may be necessary. The contractor shall submit a temporary soil retention system design including plan details and calculations for review and acceptance by the Engineer."

Note:  
 Boulders were encountered at Elev. 758.2 at Boring #1



**ELEV. TEMPORARY SOIL RETENTION SYSTEM DETAILS FOR STAGE IA REMOVAL & CONST.**



**ELEV. TEMPORARY SOIL RETENTION SYSTEM DETAILS FOR STAGE II REMOVAL & CONST.**

**HLR**  
 Rice, Berry and Associates  
 A Division of Hampton, Lenzini and Renwick, Inc.  
 Civil & Structural Engineers  
 801 S. Durkin Drive  
 Springfield, Illinois 62704  
 217-546-3400  
 P.O. Box 1036  
 DuQuoin, Illinois 62832  
 618-790-4637  
 Account Number 03-05-0181-1  
 Date: 6-09-04  
 DESIGNED: P.S.L. CHECKED: J.L.B. DRAWN: D.S.S.

**STAGING**  
**SECTION 99-00243-00-PV**  
**BIKE PATH UNDER RANDALL ROAD**  
**KANE COUNTY**  
**STATION 11+25**