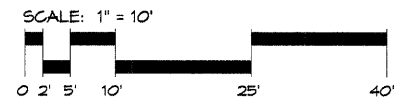
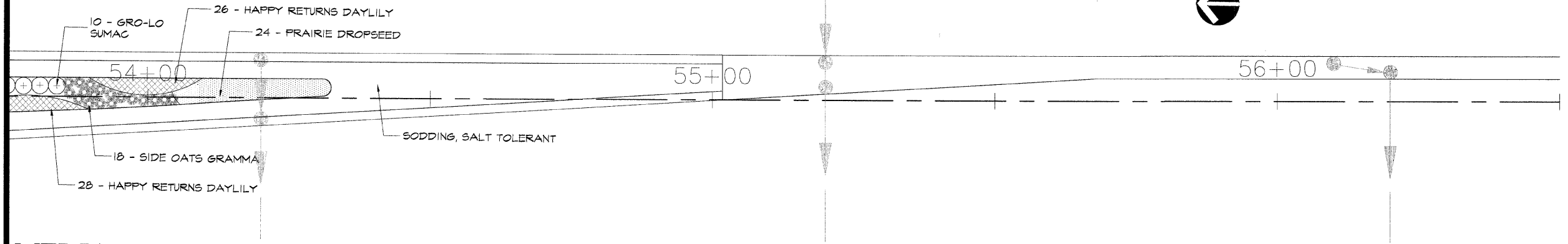


F.A.P. ROUTE	COUNTY SECTION	COUNTY	TOTAL SHEET
336	99-00243-00-PV	KANE	268
CONTRACT NO.	SHITS. NO.		
83782	187		
LANDSCAPING PLANS			
F.H.W.A. REG.5 ILLINOIS PROJECT F-0336(008)			



SEE DRAWING L-1.5
MATCHLINE STA. 53+75



MEDIAN PLANTER SEGMENT MP-3.05

SCALE: 1" = 10'-0"

HAYDEN BULIN LARSON

HAYDEN BULIN LARSON
Design Group Ltd.
750 North Franklin Street, Suite 205
Chicago, Illinois 60610
312.943.3234 FAX 312.943.3302

RANDALL ROAD MEDIANS

City of St. Charles
St. Charles, Illinois

HBL Submittal: Dec. 23, 2004
HBL Project No.: 04-001.01
CADD File: *r-medians.dwg*
Drawn By: J.E.
Approved By: J.E.
Revisions:

LANDSCAPE MEDIAN PLANTERS

Drawing	Sheet
L-1.6	187