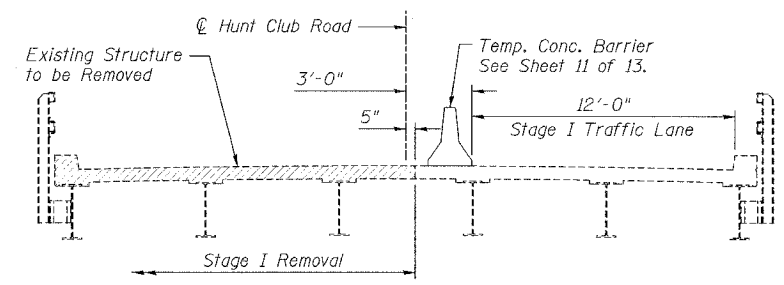
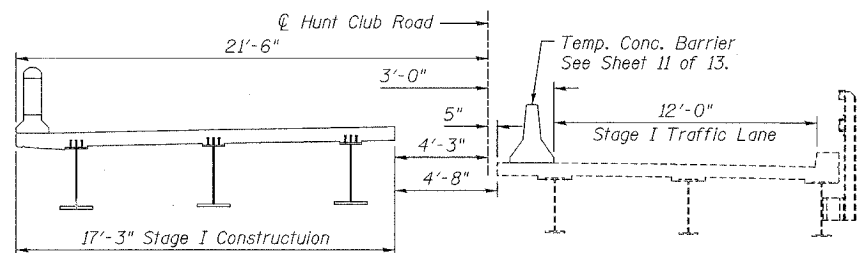


F.A.W. RTE.	SECTION	COUNTY	TOTAL SHEETS	SHEET NO.
2661	00-00095-II-BR	LAKE	28	II
STAGE CONSTRUCTION DETAILS				
C-91-89-00	ILLINOIS			

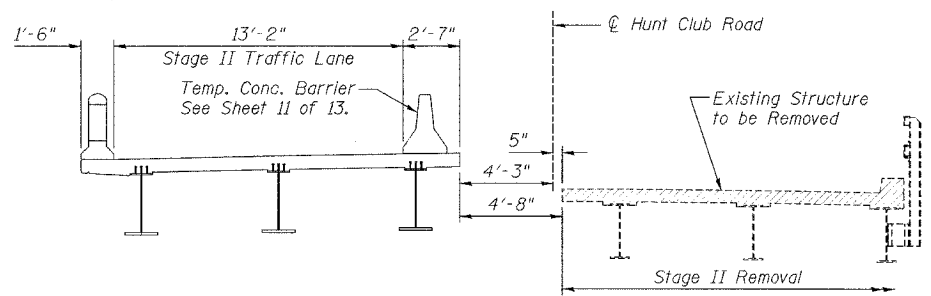
CONTRACT NO.: 83769



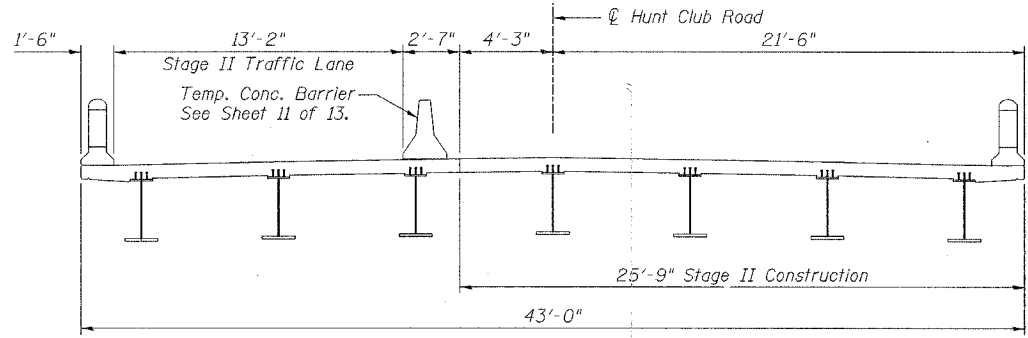
STAGE I REMOVAL



STAGE I CONSTRUCTION

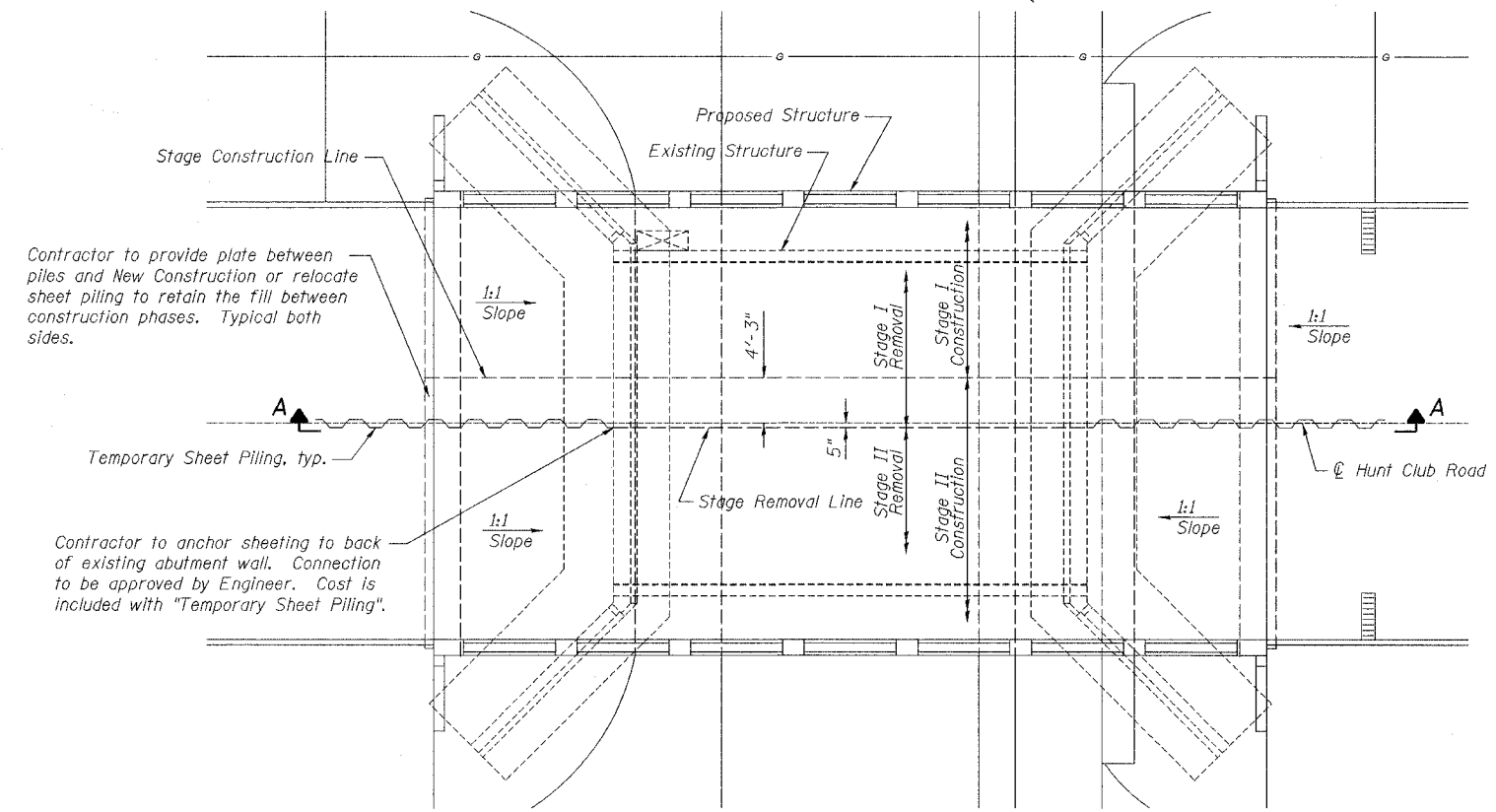


STAGE II REMOVAL

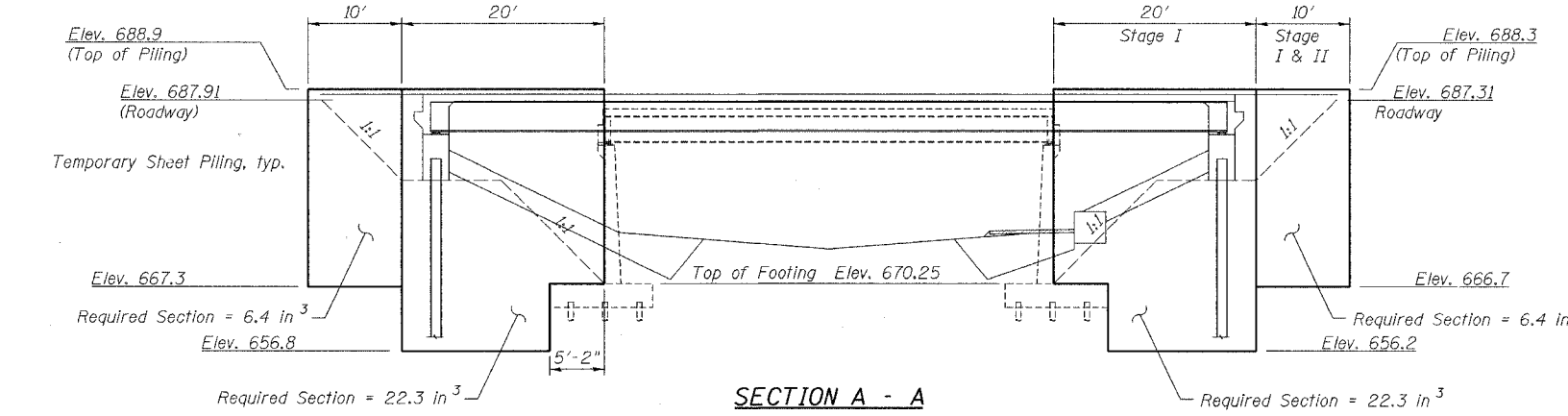


STAGE II CONSTRUCTION

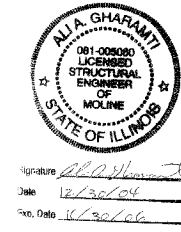
All views looking North.



PLAN



SECTION A - A



Signature: *Ali A. Gharani*
 Date: 12/30/04
 Exp. Date: 12/30/06

NOTE:
 If the Contractor chooses to alter the temporary cantilevered sheet piling design requirements shown on the plans for lesser design requirements, then full design submittals with the required seals will be expected by the Engineer, for review and approval.
 The Existing Structure shall be removed in accordance with Article 501 of the Standard Specifications.

STAGE CONSTRUCTION DETAILS
HUNT CLUB ROAD OVER
MILL CREEK
SECTION 00-00095-II-BR
LAKE COUNTY
STATION 116+60.00
STRUCTURE NO. 049-3072