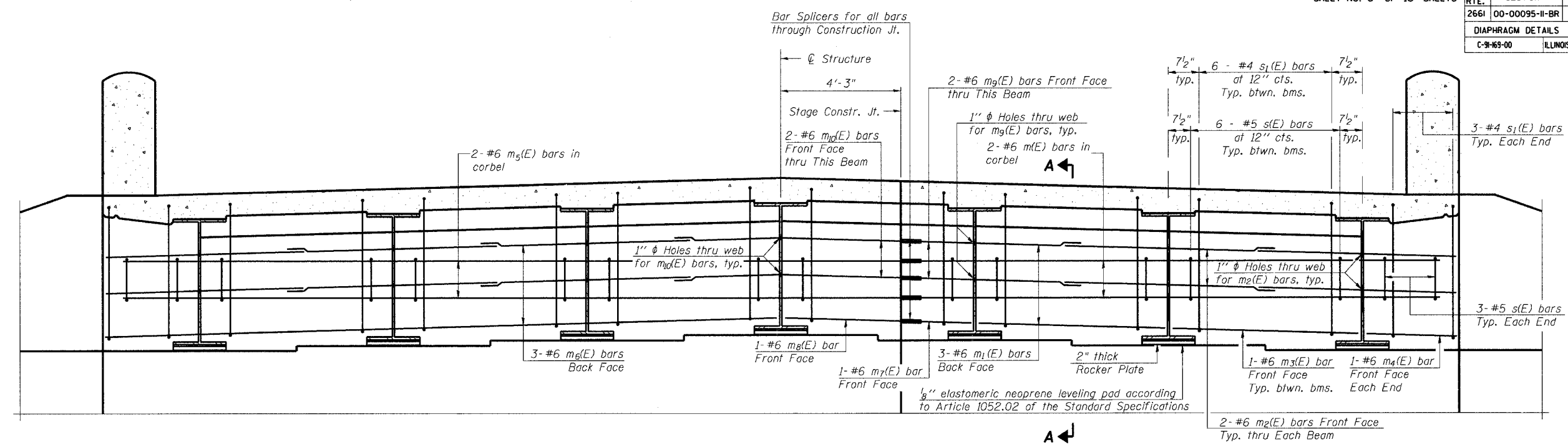
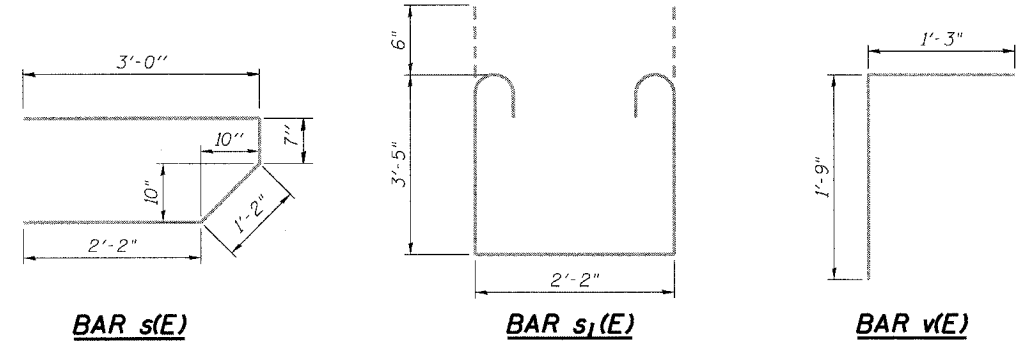


F.A.U. RTE.	SECTION	COUNTY	TOTAL SHEETS	SHEET NO.
2661	00-00095-II-BR	LAKE	28	15
DIAPHRAGM DETAILS				
C-9-69-00	ILLINOIS			
CONTRACT NO.: 83789				

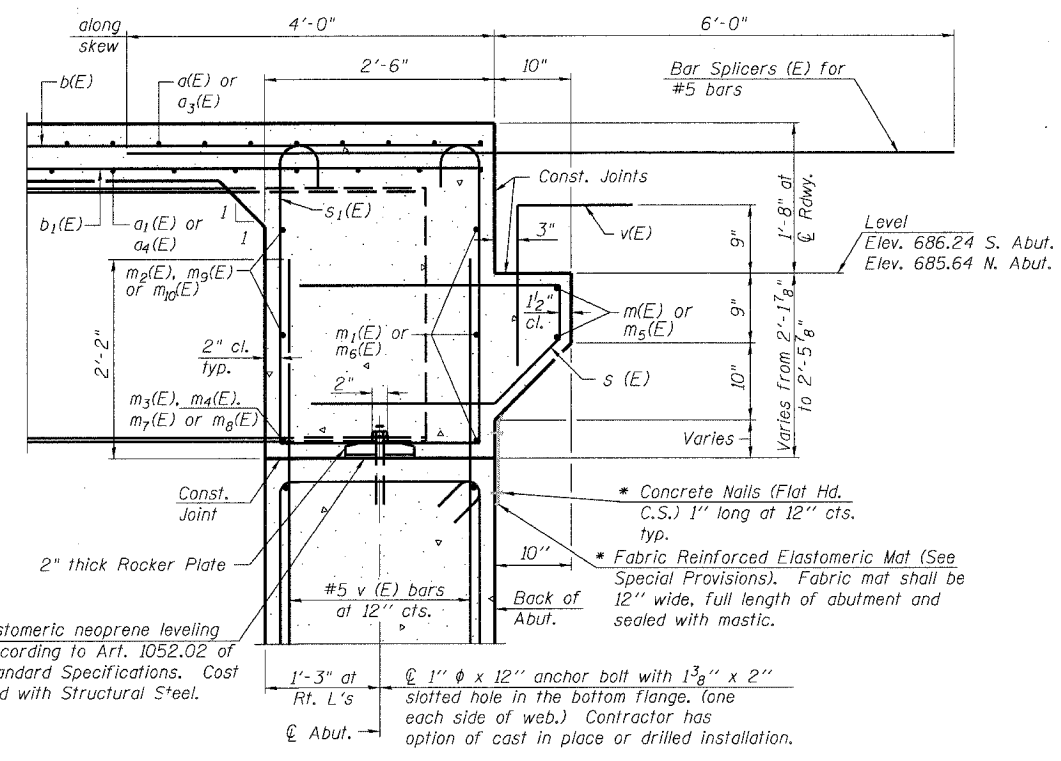


DIAPHRAGM ELEVATION AT ABUTMENT
(Looking South)



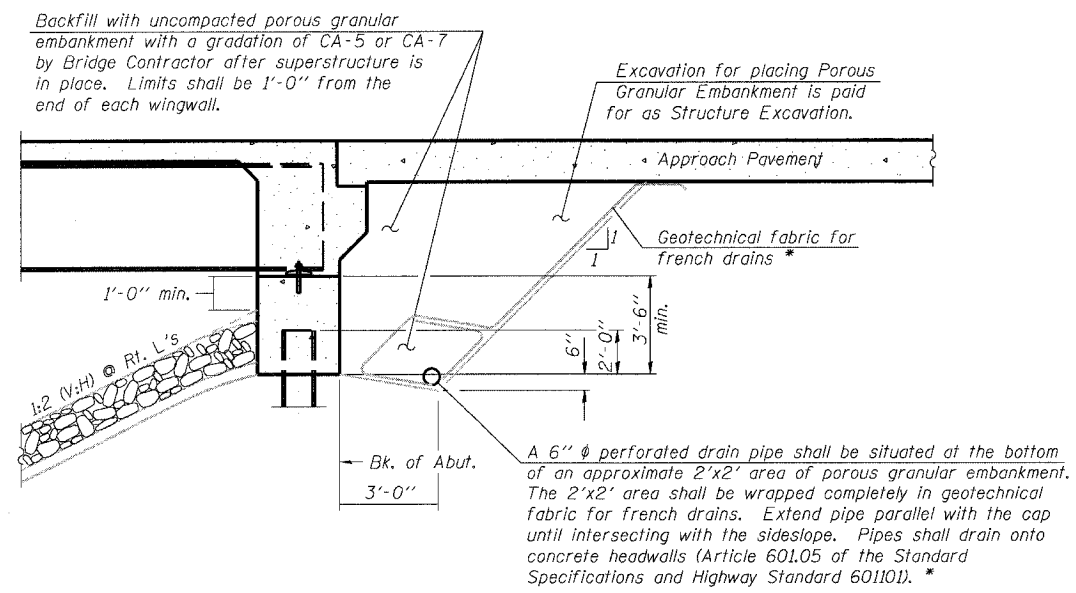
Notes:
Reinforcement bars in diaphragm are billed with superstructure on sheet 5 of 13.
Concrete in diaphragm is included with Concrete Superstructure on sheet 5 of 13.
The s(E) and s₁(E) bars shall be placed parallel to the beams. Spacing for these bars shall be at right angles to the beams.
For anchor bolt details see sheet 10 of 13.

MIN. BAR LAP
#6 bar = 2'-9"



SECTION A-A

Dimensions at right angles to abutment, except as shown.
* Cast included with Concrete Superstructure.



SECTION THRU INTEGRAL ABUTMENT
(Horiz. dim. \odot Rt. L's)

DIAPHRAGM DETAILS
HUNT CLUB ROAD OVER
MILL CREEK
SECTION 00-00095-II-BR
LAKE COUNTY
STATION 116+60.00
STRUCTURE NO. 049-3072