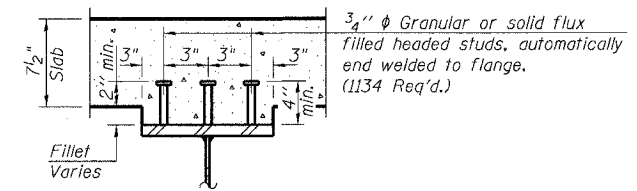
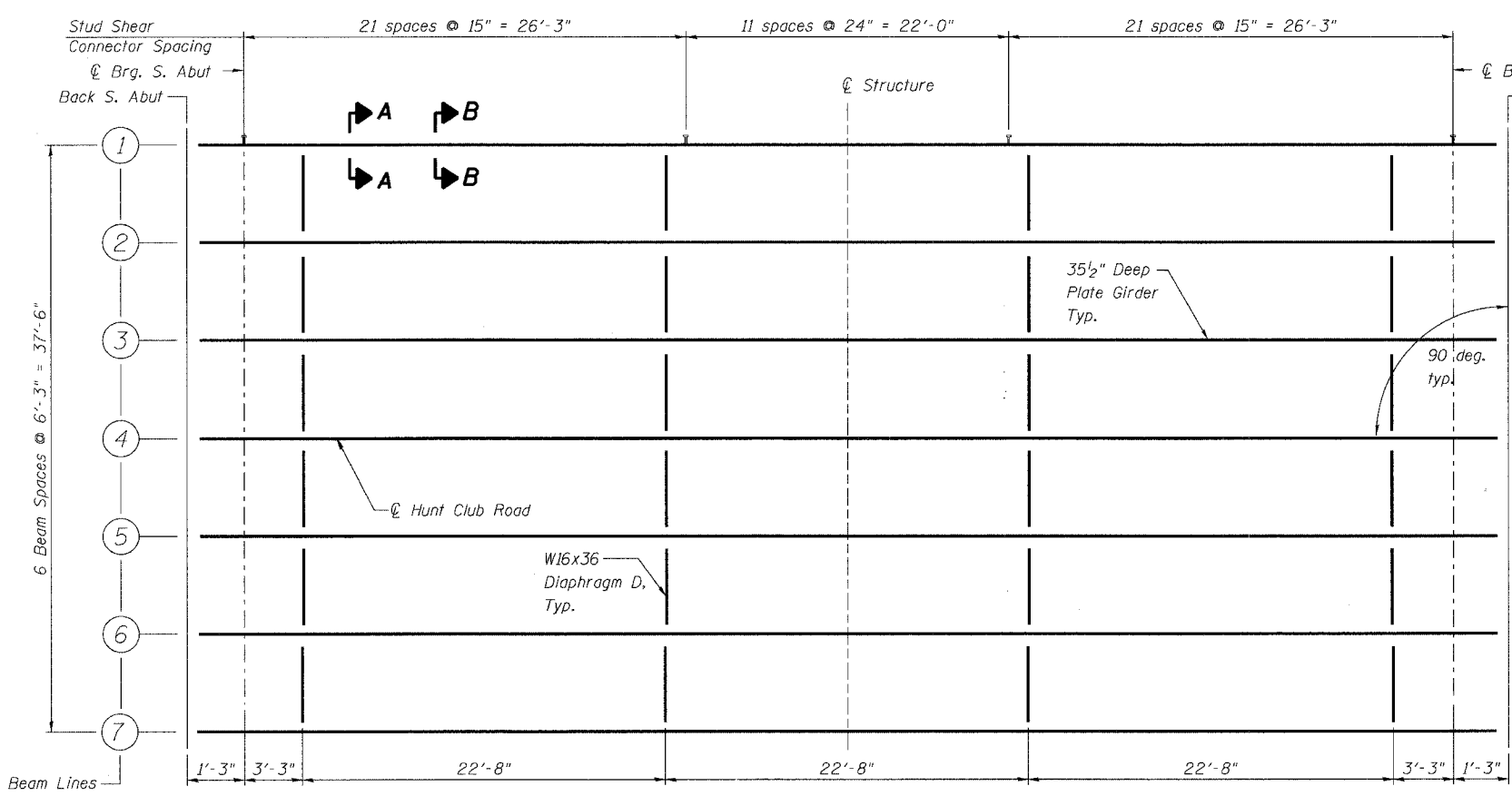


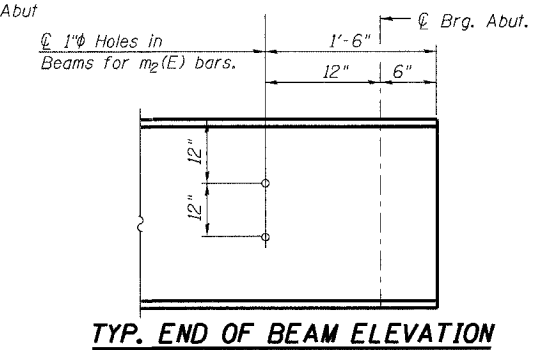
F.A.U. RTE.	SECTION	COUNTY	TOTAL SHEETS	SHEET NO.
266I	00-00095-II-BR	LAKE	28	16
FRAMING PLAN AND DETAILS				
C-9-63-00	ILLINOIS	CONTRACT NO.: 83789		



SECTION A-A



FRAMING PLAN

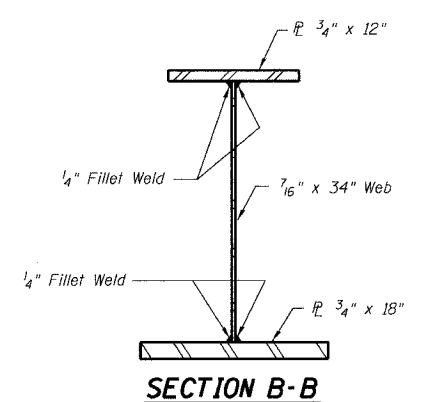


TYP. END OF BEAM ELEVATION

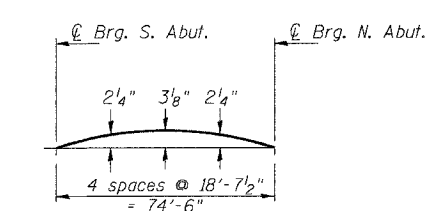
	Midpoint of Span
Is	(in ⁴) 8063
Ic (n)	(in ⁴) 22214
Ic (3n)	(in ⁴) 16087
Ss	(in ³) 515
Sc (n)	(in ³) 719
Sc (3n)	(in ³) 660
φ	(k/ft.) 0.735
Mφ	(k) 510
sφ	(k/ft.) 0.400
Msφ	(k) 278
Mt	(k) 603
M (Imp)	(k) 151
S ₃ [Mφ + M(Imp)]	(k) 1257
Ma	(k) 2659
fsφ non-comp (k.s.i.)	11.9
fsφ (comp) (k.s.i.)	5.1
fs ⁵ ₃ (k + Imp) (k.s.i.)	21.0
fs (Overload) (k.s.i.)	38.0
fs (Total) (k.s.i.)	49.4
VR	(k) 45.5

	Abutments
Rφ	(k) 42.3
Rt	(k) 35.8
Imp.	(k) 9.0
R (Total)	(k) 87.1

Is and Ss are the moment of inertia and section modulus of the steel section used in computing fs (Total & Overload).
 Ic(n) and Sc(n) are the moment of inertia and section modulus of the composite section used in computing stresses due to Live Load.
 Ic(3n) and Sc(3n) are the moment of inertia and section modulus of the composite section used in computing stresses due to superimposed dead loads. (see AASHTO 10.38)
 VR is the maximum Live Load + Impact shear range in span.
 Ma (Applied Moment) = 1.3[Mφ + Msφ + S₃(Mt + M(Imp))].
 fs (Overload) is the sum of the stresses due to Mφ + Msφ + S₃(Mt + M(Imp)).
 fs (Total) (Non-compact section) is the sum of the stresses due to 1.3[Mφ + Msφ + S₃(Mt + M(Imp))].

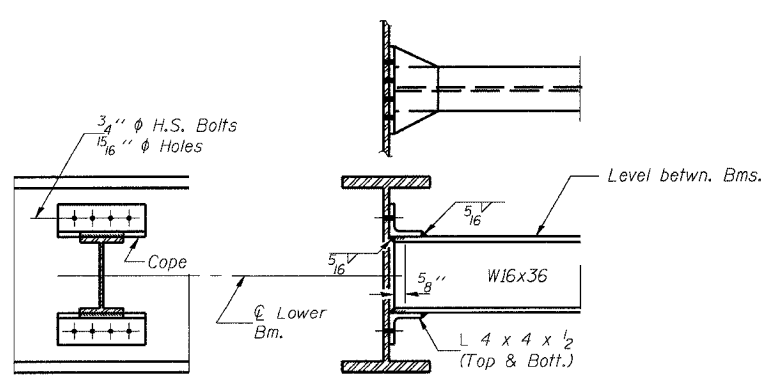


SECTION B-B



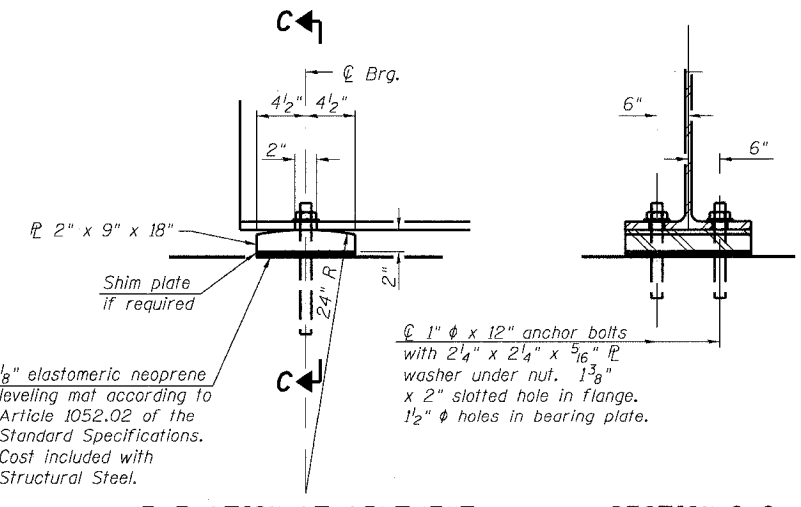
WEB CAMBER DIAGRAM

Beam No.	℄ Brg. South Abutment	℄ Brg. North Abutment
1	686.826	686.244
2	686.956	686.374
3	687.056	686.474
4	687.154	686.572
5	687.056	686.474
6	686.956	686.374
7	686.826	686.244



DIAPHRAGM D
24 Required

Note: Two hardened washers shall be required over all oversize holes for diaphragms.



ELEVATION AT ABUTMENT

SECTION C-C

FIXED BEARING

Notes: Anchor bolts at fixed bearings may be built into the masonry. See sheet 10 of 13 for Anchor Bolt Installation.

FRAMING PLAN AND DETAILS
HUNT CLUB ROAD OVER
MILL CREEK
SECTION 00-00095-II-BR
LAKE COUNTY
STATION 116+60.00
STRUCTURE NO. 049-3072