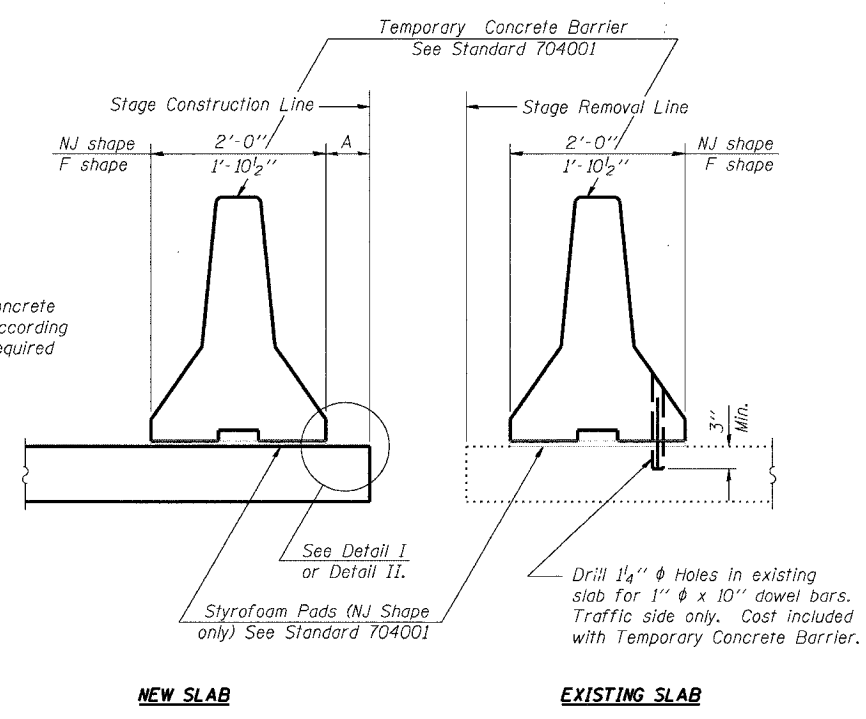
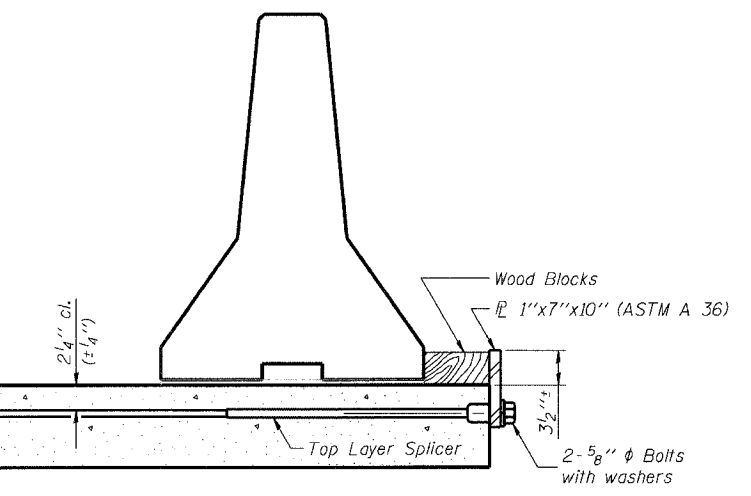


F.A.U. RTE.	SECTION	COUNTY	TOTAL SHEETS	SHEET NO.
266I	00-00095-II-BR	LAKE	28	20
TEMPORARY CONCRETE BARRIER				
C-9-69-00	ILLINOIS			

CONTRACT NO.: 83789

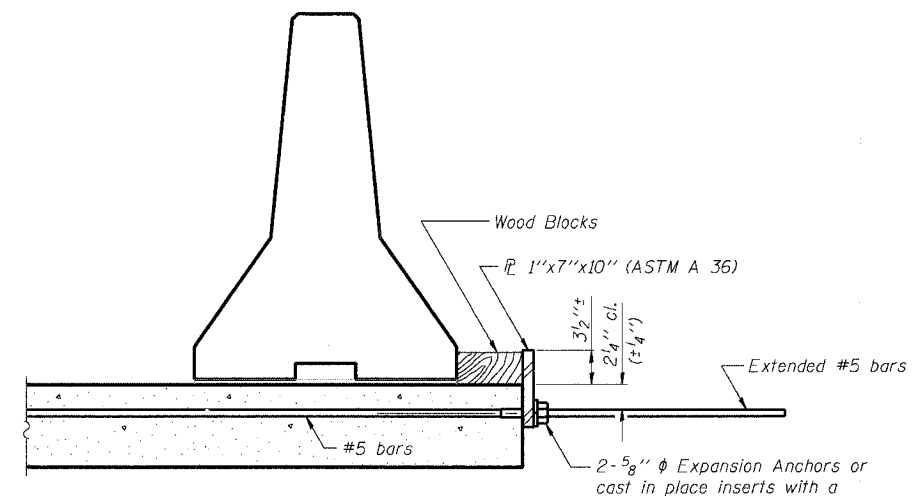


**SECTIONS THRU SLAB**



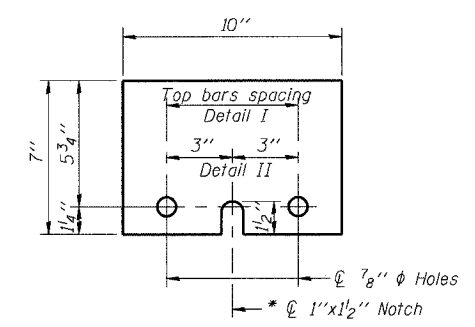
**DETAIL I**

The 1" x 7" x 10" Plate shall not be removed until Stage II Construction forms and reinforcement bars are in place.



**DETAIL II**

The 1" x 7" x 10" Plate shall not be removed until Stage II Construction forms and all reinforcement bars are in place and the concrete is ready to be placed.



**1" x 7" x 10"**

\* Required only with Detail II

**NOTES**

- Detail I - With Bar Splicer or Couplers:  
Connect one (1) 1" x 7" x 10" steel  $\bar{L}$  to the top layer of couplers with 2-5/8"  $\phi$  bolts screwed to coupler at approximate  $\phi$  of each barrier panel.
  - Detail II - With Extended Reinforcement Bars:  
Connect one (1) 1" x 7" x 10" steel  $\bar{L}$  to the concrete slab with 2-5/8"  $\phi$  Expansion Anchors or cast in place inserts spaced between the top layer of reinforcement at approximate  $\phi$  of each barrier panel.
- Cost of anchorage is included with Temporary Concrete Barrier.

**TEMPORARY CONCRETE BARRIER**  
 HUNT CLUB ROAD OVER  
 MILL CREEK  
 SECTION 00-00095-II-BR  
 LAKE COUNTY  
 STATION 116+60.00  
 STRUCTURE NO. 049-3072

11 Temp Barrier.dgn 12/30/2004 2:15:53 PM