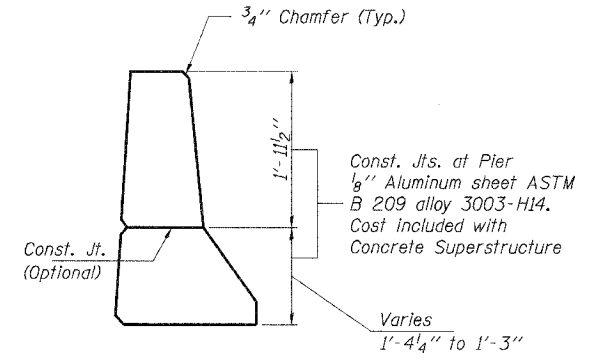
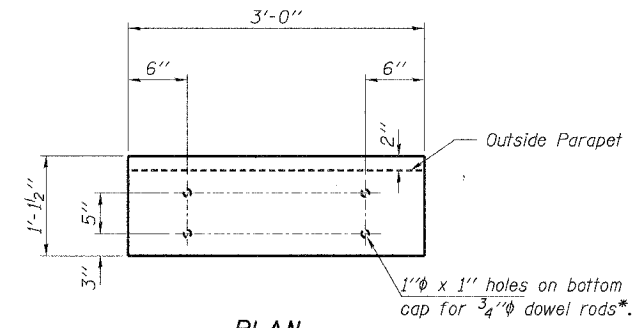


**INSIDE ELEVATION OF PARAPET**

**MIN. BAR LAPS**  
 #4 bars = 1'-8"  
 #5 bars = 2'-2"  
 #8 bars = 4'-6"

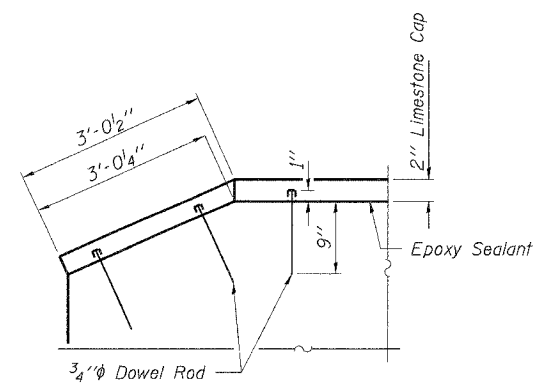


**PARAPET JOINT DETAIL**

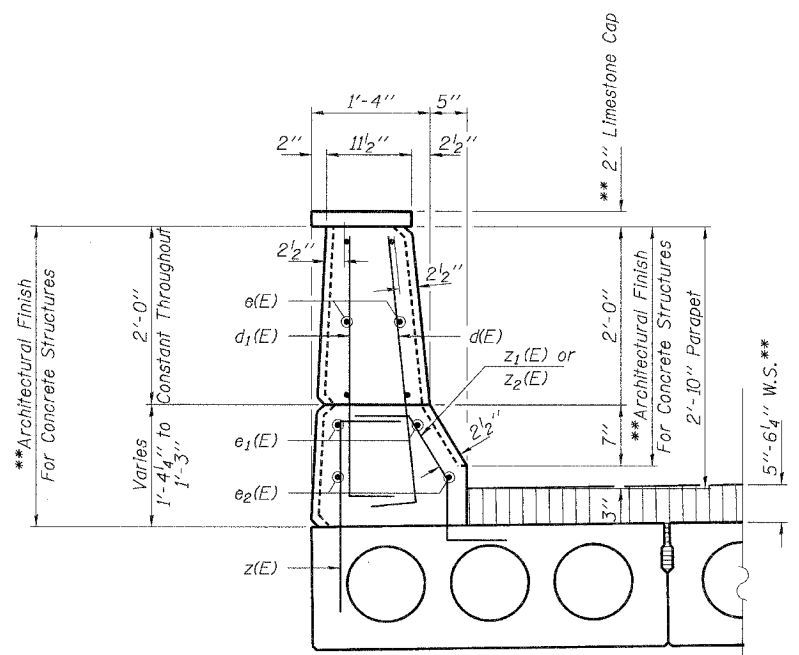


**PLAN**

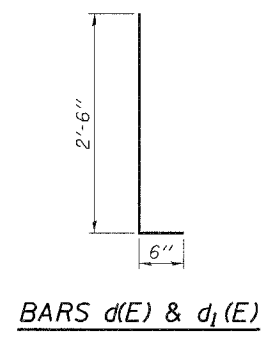
\* Dowel Rods shall be drilled and epoxy grouted in place. Cost is included in the price of Limestone Cap.



**LIMESTONE CAP ELEVATION**



**SECTION THRU PARAPET**  
 \*\* See Special Provisions



**BARS d(E) & d1(E)**

**BILL OF MATERIAL - PARAPETS**

BAR	NO.	SIZE	LENGTH	SHAPE
d(E)	256	#5	3'-0"	┌
d1(E)	234	#4	3'-0"	└
e(E)	72	#4	20'-3"	—
e1(E)	24	#8	21'-7"	—
e2(E)	24	#5	20'-6"	—
Concrete Superstructure			Cu. Yd.	37.8
Reinforcement Bars, Epoxy Coated			Pound	4,140
Clear Protective Coating for Conc.			Sq. Ft.	1,710
Architectural Finish for Conc. Surf.			Sq. Ft.	1,425
Limestone Cap			Foot	234

Bars designated (E) shall be epoxy coated.  
 Bars indicated thus 16x2 - #6 etc. indicates 16 lines of bars with 2 lengths per line.

**HLR**  
 Rice, Berry and Associates  
 A Division of Hampton, Lenzini and Renwick, Inc.  
 Civil & Structural Engineers  
 801 S. Durkin Drive  
 Springfield, Illinois 62704  
 217-546-3400  
 P.O. Box 1036  
 DuQuoin, Illinois 62832  
 618-790-4637  
 Account Number 12-07-0047-1  
 Date: 05/23/05  
 DESIGNED: S.W.M. CHECKED: M.G.B. DRAWN: D.T.M.

**PARAPET DETAILS**  
 SECTION 00-00068-07-BR  
 F.A.U. 3706 / C.H. 30 / KELSEY ROAD  
 LAKE COUNTY  
 STATION 124+70