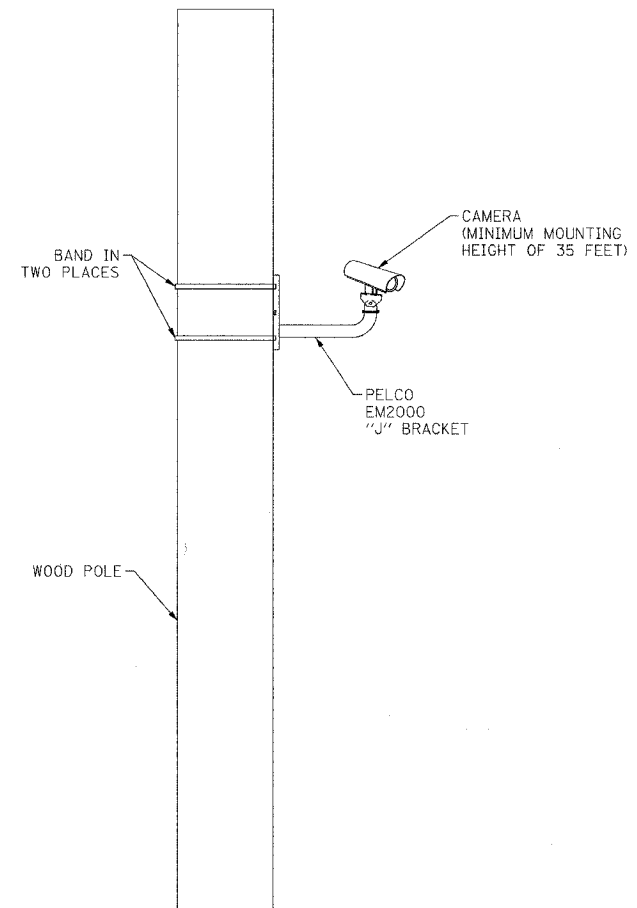
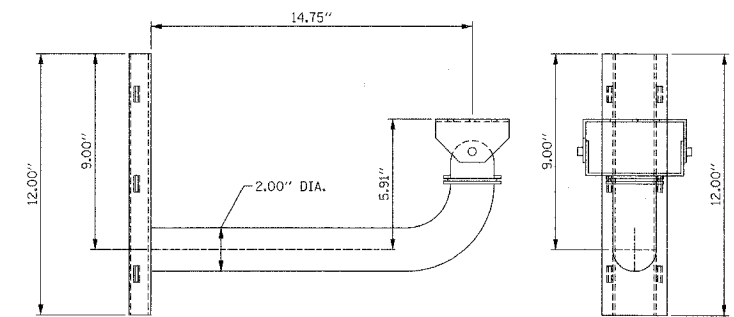
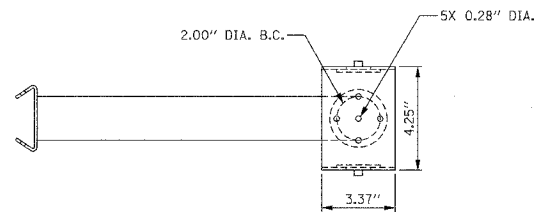
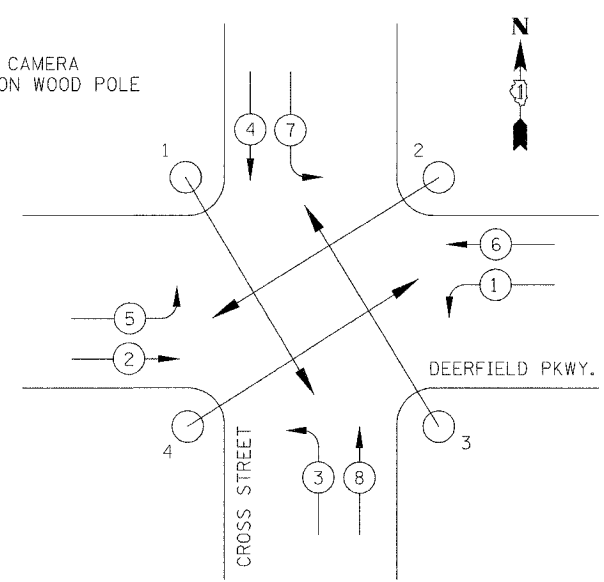


ROUTE	SECTION	COUNTY	TOTAL SHEETS	SHEET NO.
CH	A47	LAKE	176	85
TEMPORARY VIDEO DETECTION DETAILS				
03-00088-00-FP	ILLINOIS	DEERFIELD PARKWAY		

CONTRACT NUMBER 83807



1, 2, 3, 4 CAMERA MOUNTED ON WOOD POLE



EM2000 DIMENSION DRAWING

TEMPORARY CAMERA MOUNTING DETAILS
(NOT TO SCALE)

REVISIONS	
NAME	DATE

VILLAGE OF BUFFALO GROVE
TEMPORARY VIDEO DETECTION DETAILS

SCALE: NOT TO SCALE
DATE: 6/2/2005

DRAWN BY: JJE
CHECKED BY: KMM