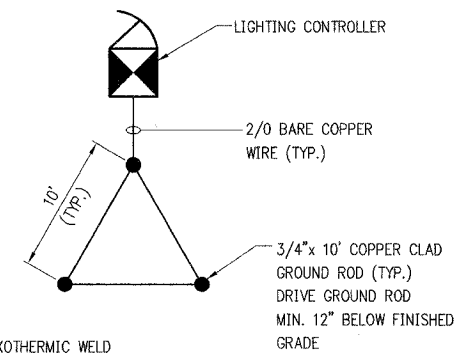
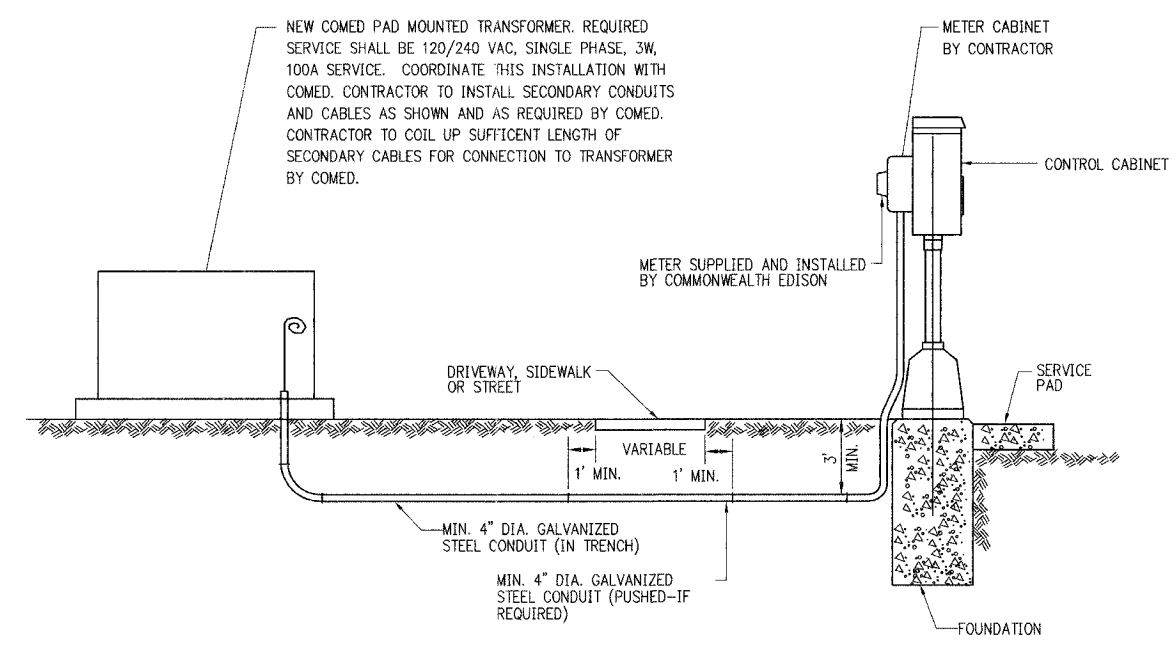


REF	SECTION	COUNTY	TOTAL SHEETS	SHEET NO
CH	A47	LAKE	176	132
STA.		TO STA.		
03-00088-00-FP		LLMS	SURFACE TRANSPORTATION FUNDING	
CONTRACT NUMBER 83907				



NOTE:  
USE EXOTHERMIC WELD FOR ALL GROUND CONNECTIONS

**GROUND FIELD DETAIL**

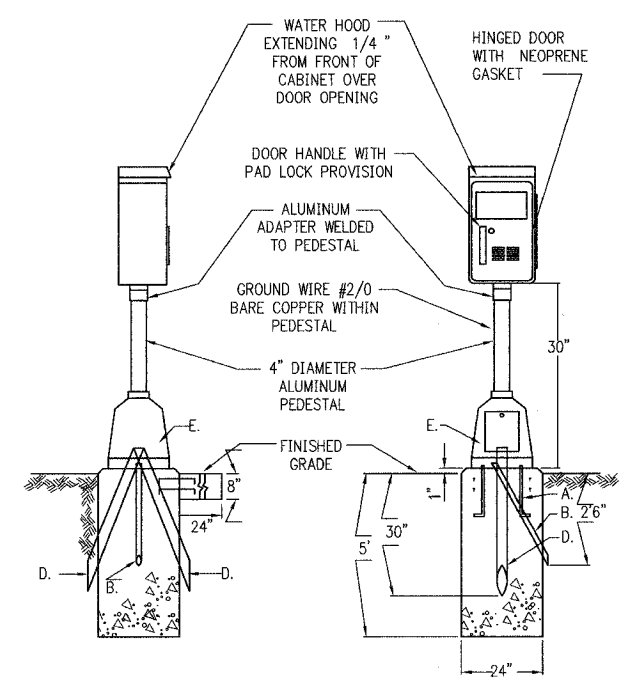


NEW COMED PAD MOUNTED TRANSFORMER. REQUIRED SERVICE SHALL BE 120/240 VAC, SINGLE PHASE, 3W, 100A SERVICE. COORDINATE THIS INSTALLATION WITH COMED. CONTRACTOR TO INSTALL SECONDARY CONDUITS AND CABLES AS SHOWN AND AS REQUIRED BY COMED. CONTRACTOR TO COIL UP SUFFICIENT LENGTH OF SECONDARY CABLES FOR CONNECTION TO TRANSFORMER BY COMED.

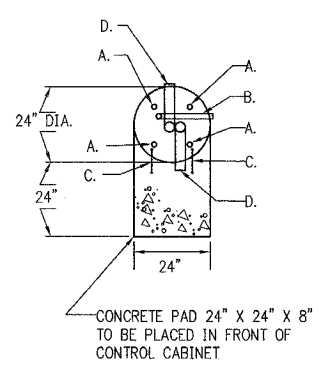
**ELECTRICAL SERVICE INSTALLATION DETAIL**

**NOTES:**

- SERVICE CABLE AND CONDUIT SIZES SHALL BE AS REQUIRED BY COMED. WITH THE MINIMUM CONDUIT SIZE OF 4" AND A MINIMUM SERVICE CABLE SIZE OF NO. 2 COPPER CONDUCTORS.
- SERVICE INSTALLATION SHALL BE COORDINATED WITH COMED PRIOR TO THE START OF CONSTRUCTION. ANY AND ALL OF COMED'S REQUIREMENTS SHALL BE MET.
- THE DISTANCE BETWEEN PAD MOUNTED TRANSFORMER AND LIGHTING CONTROLLER SHALL BE BETWEEN 5' (MIN.) AND 25' (MAX.)

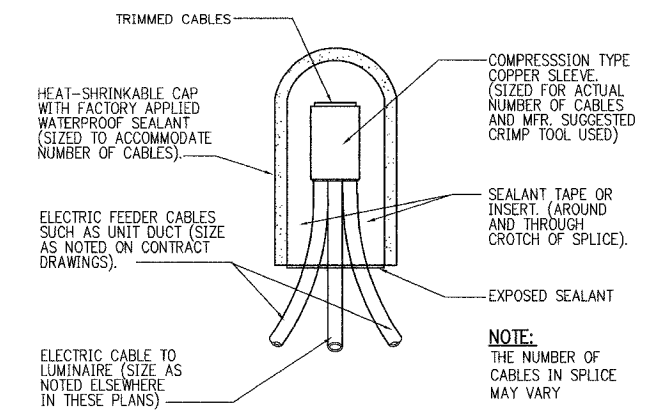


**TYPICAL CONTROL CABINET AND FOUNDATION DETAIL**



**LEGEND:**

- ANCHOR BOLTS 3/4" X 12" GALVANIZED OR STAINLESS STEEL, THREADED 8NC FOR TOP 6", FURNISHED WITH 2 GALVANIZED FLAT WASHERS AND 2 GALVANIZED HEX NUTS.
- GROUND WIRE RACEWAY 2" DIA. MIN. EXTENDED TO THE GROUND FIELD
- DEFORMED TIE BARS
- LIGHTING CIRCUIT RACEWAY 2" DIA. MIN.
- ORNAMENTAL PEDESTAL BASE WITH HANDHOLE DOOR HELD IN PLACE WITH STAINLESS STEEL SCREWS, BASE TO BE WELDED TO PEDESTAL.



**SPlicing ELECTRIC CABLES  
BASIC MATERIALS AND METHODS**

**NOTES:**

- THE CONTROL CABINET SHALL BE NEMA 3R ALUMINUM WITH MOUNTING PANEL SIZE OF (28"H X 17"W) MIN. CONTROL CABINET SHALL BE AS MANUFACTURED BY HENNESSY PRODUCTS INC. OR APPROVED EQUAL.
- THE CONTROL CABINET FOUNDATION SHALL BE CLASS SI CONCRETE. REINFORCING STEEL WILL NOT BE REQUIRED EXCEPT TO TIE IN THE SERVICE PAD.
- CONTROL CABINET AND PEDESTAL SHALL BE PAINTED GREEN.
- ALL CABLE OPENINGS IN THE PEDESTAL BASE SHALL BE SEALED WITH DUCT SEAL.
- PROVIDE A 12" X 6" STAINLESS STEEL NAME PLATE. RIVET TO DOOR WITH ALUMINUM RIVETS. NAME PLATE SHALL READ "VILLAGE OF BUFFALO GROVE, LIGHTING CONTROL CABINET" ENGRAVED WITH 0.75 INCH HIGH LETTERS FILLED IN BLACK INK.



REVISIONS	
NAME	DATE

VILLAGE OF BUFFALO GROVE  
**LIGHTING PLANS**  
ELECTRICAL DETAILS  
(4 OF 4)

DATE: 6/2/2005  
DESIGNED BY: CMW  
TECHNICIAN: JRH  
CHECKED BY: MAR