

T.R.	SECTION	COUNTY	TOTAL SHEETS	SHEET NO.
352	99-24115-00-BR	SHELBY	15	2
FED. ROAD DIST. NO.	ILLINOIS	FED. AID PROJECT		

SUMMARY OF QUANTITIES

CODE NO.	ITEM	LNIT	QUANTITY
20100110	TREE REMOVAL (6 TO 15 UNITS DIAMETER)	JNIT	103
20100210	TREE REMOVAL (OVER 15 UNITS DIAMETER)	JNIT	246
* 20200100	EARTH EXCAVATION	CY	1989
20300100	CHANNEL EXCAVATION	CY	318
20400800	FURNISHED EXCAVATION	CY	1057
* 25000200	SEEDING, CLASS 2	ACRE	1.1
25000400	NITROGEN FERTILIZER NUTRIENTS	FOUND	99
25000500	PHOSPHOURS FERTILIZER NUTRIENTS	FOUND	99
25000600	POTASSIUM FERTILIZER NUTRIENTS	FOUND	99
* 25100115	MULCH METHOD 2	ACRE	2.2
28000250	TEMPORARY EROSION CONTROL SEEDINGS	FOUND	300
28000300	TEMPORARY DITCH CHECKS	EACH	8
28000400	PERIMETER EROSION BARRIER	FOOT	390
28000500	INLET AND PIPE PROTECTION	EACH	5
* 28100707	STONE DUMPED RIPRAP, CLASS A4	TON	412
28102600	STONE RIPRAP DITCH	TON	108
28200200	FILTER FABRIC	SQ YD	614
* 40200800	AGGREGATE SURFACE COURSE, TYPE B	TON	819
* 50100100	REMOVAL OF EXISTING STRUCTURES	EACH	1
50200100	STRUCTURE EXCAVATION	CY	43
50300225	CONCRETE STRUCTURES	CY	22.1
50400605	PRECAST PRESTRESSED CONCRETE DECK BEAMS (33" DEPTH)	SQ FT	1584
50800105	REINFORCEMENT BARS	FOUND	2570
50900205	STEEL RAILING, TYPE S1	FOOT	134
51201000	FURNISHING METAL PILE SHELLS 12"	FOOT	282
51202600	DRIVING AND FILLING SHELLS	FOOT	282
51203200	TEST PILE METAL SHELLS	EACH	2
51204315	CONCRETE ENCASEMENT	CY	2.2
51500100	NAME PLATES	EACH	1
54200640	PIPE CULVERTS, TYPE 1, CORRUGATED STEEL OR ALUMINUM CULVERT PIPE 15"	FOOT	192
54201270	PIPE CULVERTS, TYPE 2, CORRUGATED STEEL OR ALUMINUM CULVERT PIPE 15"	FOOT	60
* 67100100	MOBILE ZATION SEE SPECIAL PROVISIONS	L. sum.	1

EARTHWORK SUMMARY

EARTH EXCAVATION = 1,989 CU YD
 CHANNEL EXCAVATION = 318 CU YD
 STRUCTURE EXCAVATION = 43 CU YD
 TOTAL FILL REQ'D. = 2,740 CU YD (IN PLACE)

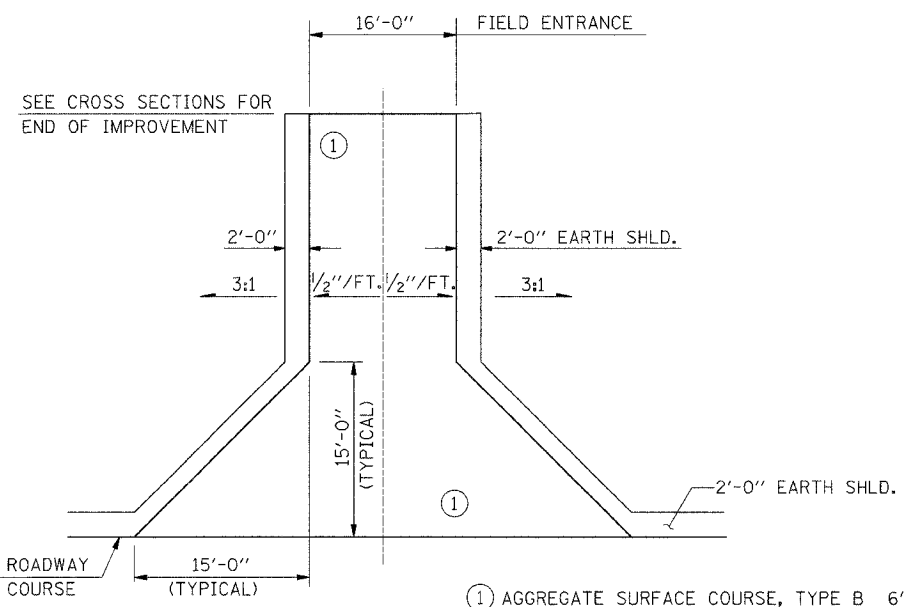
** ESTIMATE OF FILL FROM EARTH EXCAVATION = 1492 CU YD
 *** ESTIMATE OF FILL FROM CHANNEL EXCAVATION = 159 CU YD
 ** ESTIMATE OF FILL FROM STRUCTURE EXCAVATION = 32 CU YD
 FURNISHED EXCAVATION REQUIRED = 1057 CU YD

** 25% SHRINKAGE FACTOR APPLIED
 *** 50% SHRINKAGE FACTOR APPLIED

ESTIMATED QUANTITIES

ITEM	RATE OF APPLICATION	QUANTITIES
SEEDING CLASS 2	PER ART. 250.07	= 1.1 ACRES
NITROGEN FERTILIZER NUTRIENTS	= 90 LBS./ACRE	= 99 POUNDS
PHOSPHORUS FERTILIZER NUTRIENTS	= 90 LBS./ACRE	= 99 POUNDS
POTASSIUM FERTINIZER NUTRIENTS	= 90 LBS./ACRE	= 99 POUNDS
MULCH METHOD 2	= 2 TONS/ACRE	= 2.2 TONS

THE SEEDING MIXTURE SHALL CONFORM TO ROADSIDE MIXTURE TYPE 2, DURING THE PERIOD BETWEEN NOVEMBER 1, AND DECEMBER 31, THE CONTRACTOR SHALL SUBSTITUTE 10 POUNDS OF PERENNIAL RYE FOR 48 POUNDS OF OATS, SPRING.



FIELD ENTRANCE DETAIL

** TRANSITION EMBANKMENT TOP WIDTH:
 15' AT STA. 5+75 TO 24' AT STA. 6+25
 24' AT STA. 13+50 TO 15' AT STA. 14+00.

GENERAL NOTES

WHERE SECTION OR SUBSECTION MONUMENTS ARE ENCOUNTERED, THE ENGINEER SHALL BE NOTIFIED BEFORE SUCH MONUMENTS ARE REMOVED. THE CONTRACTOR SHALL PROTECT AND CAREFULLY PRESERVE ALL PROPERTY MARKS AND MONUMENTS UNTIL THE OWNER, AN AUTHORIZED SURVEYOR OR AGENT HAS WITNESSED OR OTHERWISE REFERENCED THEIR LOCATION.

THE CONTRACTOR SHALL CONSULT WITH THE ENGINEER IN REGARD TO THE EXACT LENGTHS OF PIPE CULVERTS PRIOR TO ORDERING THESE ITEMS.

EXISTING CMP CULVERTS TO BE REMOVED SHALL BE INCLUDED IN THE COST OF EARTH EXCAVATION.

IT IS THE CONTRACTOR'S RESPONSIBILITY TO VERIFY ALL DIMENSIONS AND CONDITIONS EXISTING IN THE FIELD PRIOR TO CONSTRUCTION AND ORDERING MATERIALS.

ALL DISTURBED EARTH SURFACES WITHIN THE LIMITS OF THE RIGHT-OF-WAY AND EASEMENTS SHALL BE SEEDDED AS DIRECTED BY THE ENGINEER.

ONLY TREES MARKED FOR REMOVAL BY THE ENGINEER SHALL BE REMOVED BY THE CONTRACTOR.

TREE REMOVAL

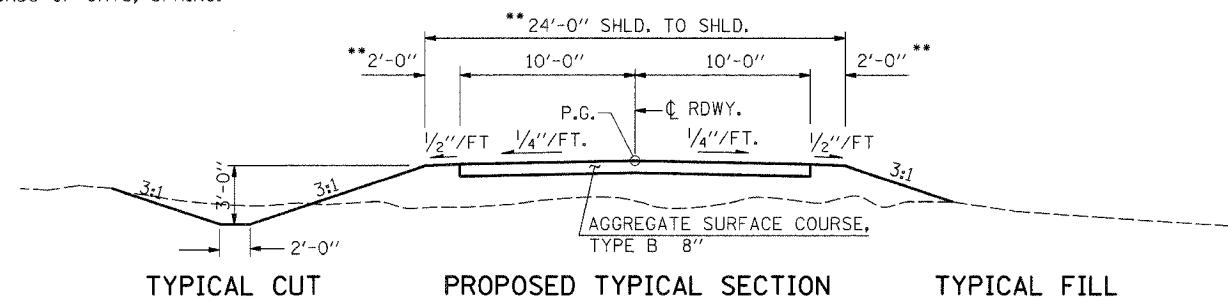
(6 TO 15 UNITS DIAMETER)

STATION	OFFSET	UNIT
STA. 9+13	24' RT	8
STA. 9+39	28' RT	8
STA. 9+59	26' RT	8
STA. 9+62	23' RT	12
STA. 9+63	26' RT	8
STA. 9+82	27' RT	15
STA. 12+75	15' RT	12
STA. 12+89	19' RT	6
STA. 12+97	17' RT	6
STA. 13+00	18' RT	6
STA. 13+02	18' RT	6
STA. 13+90	17' RT	8
TOTAL		= 103

TREE REMOVAL

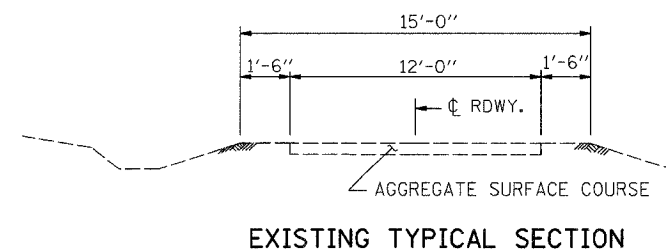
(OVER 15 UNITS DIAMETER)

STATION	OFFSET	UNIT
STA. 9+00	25' RT	48
STA. 9+11	25' RT	30
STA. 9+14	26' RT	24
STA. 9+23	25' RT	30
STA. 9+33	26' RT	24
STA. 9+36	27' RT	24
STA. 9+41	26' RT	24
STA. 13+79	20' RT	24
STA. 13+90	19' RT	18
TOTAL		= 103



T.R. 352 CURRENT ADT < 150

THE PROPOSED EARTHWORK SHALL BE CONSTRUCTED AND COMPACTED PRIOR TO BEING CORED OUT FOR CONSTRUCTION OF THE AGGREGATE SURFACE COURSE.



EXISTING TYPICAL SECTION