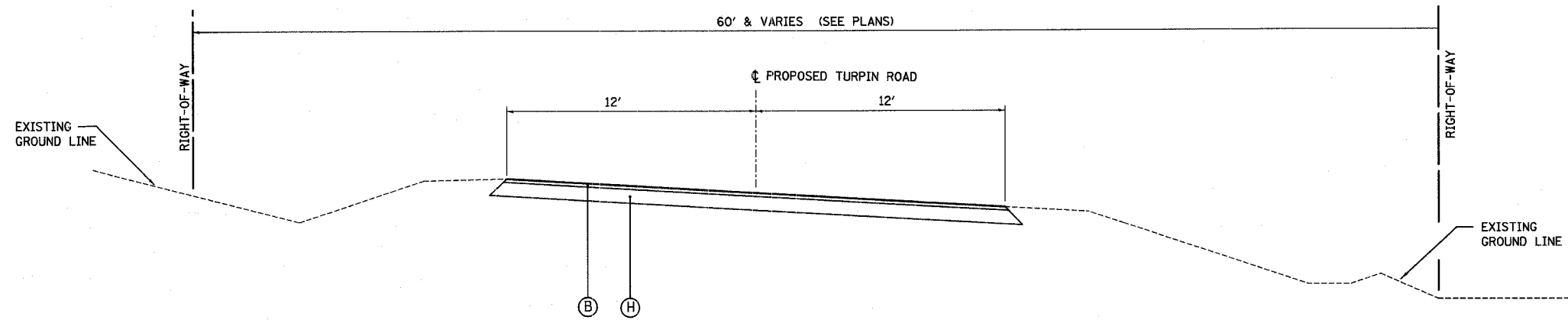
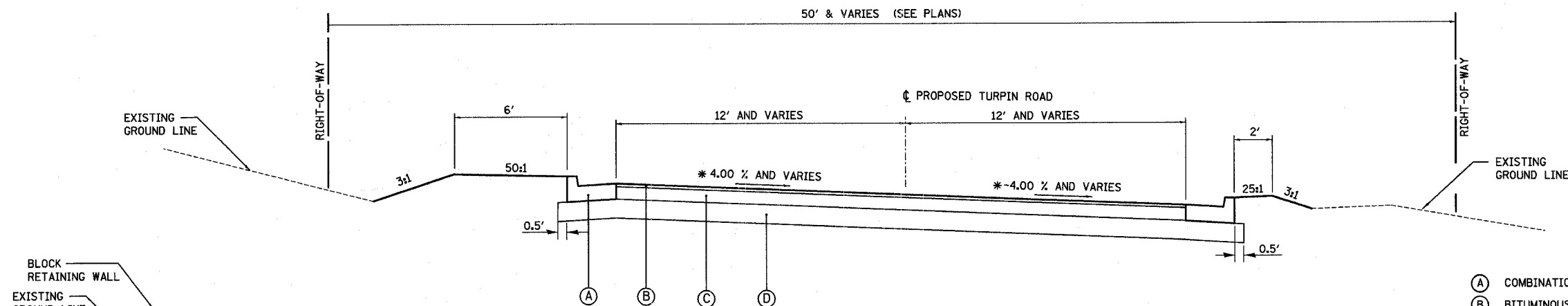


ROUTE NO.	SECTION	COUNTY	TOTAL SHEETS	SHEET NO.
CH 31	*	MACON	162	7
FED. ROAD DIST. NO.		ILLINOIS	PROJECT	

* 02-00175-00-PV



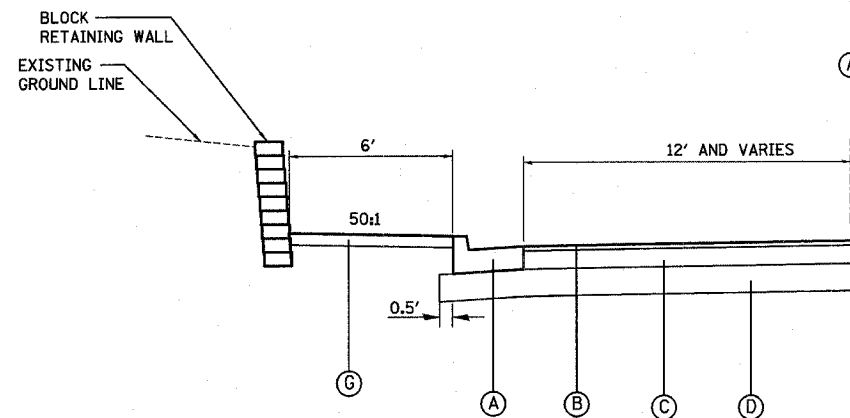
PROPOSED TYPICAL SECTION - MAINLINE
STA 569+00 TO STA 569+20 (CURVE TO RIGHT)



PROPOSED TYPICAL SECTION - MAINLINE
STA 535+73 TO STA 536+50 (CURVE TO LEFT)
STA 548+40 TO STA 552+03 (CURVE TO RIGHT)
STA 562+82 TO STA 566+99.3 (CURVE TO LEFT)
STA 566+99.3 TO STA 569+00 (CURVE TO RIGHT)

LEGEND

- (A) COMBINATION CONCRETE CURB & GUTTER, TYPE B-6.24
- (B) BITUMINOUS CONCRETE SURFACE COURSE, SUPERPAVE, MIX "C", N50, 2" 112 LBS/INCH/SQ YD
- (C) BITUMINOUS CONCRETE BINDER COURSE, SUPERPAVE, IL 19.0, N50, 8" 112 LBS/INCH/SQ YD
- (D) PROCESSED LIME MODIFIED SOIL, 12"
- (E) AGGREGATE SHOULDERS, TYPE B, 6"
- (F) COMBINATION CONCRETE CURB & GUTTER, TYPE B-9.24
- (G) PCC SIDEWALK, 5"
- (H) AGGREGATE BASE COURSE TYPE B, 8"



PROPOSED TYPICAL SECTION - SIDEWALK
STA 536+50 TO STA 540+50 (CURVE TO LEFT)

* SEE "SUPERELEVATION TRANSITION DETAILS" SHEET FOR SUPERELEVATION DATA

REVISIONS			TURPIN ROAD CONNECTOR (CH 31) MACON COUNTY, ILLINOIS		DRAWN BY DATE
NO.	DATE	INITIALS			LBM 05/03
1					CHECKED BY DATE
2					GLF 03/05
3					BOOK NUMBER
4					471
5					PROJECT No.
6					4805
7					SHEET No.
8					
9					
10					

HOMER L.
CHASTAIN
& ASSOCIATES, LLP
CONSULTING ENGINEERS
184-001297

DECATUR
(317) 422-8544
CHICAGO
(773) 714-0050