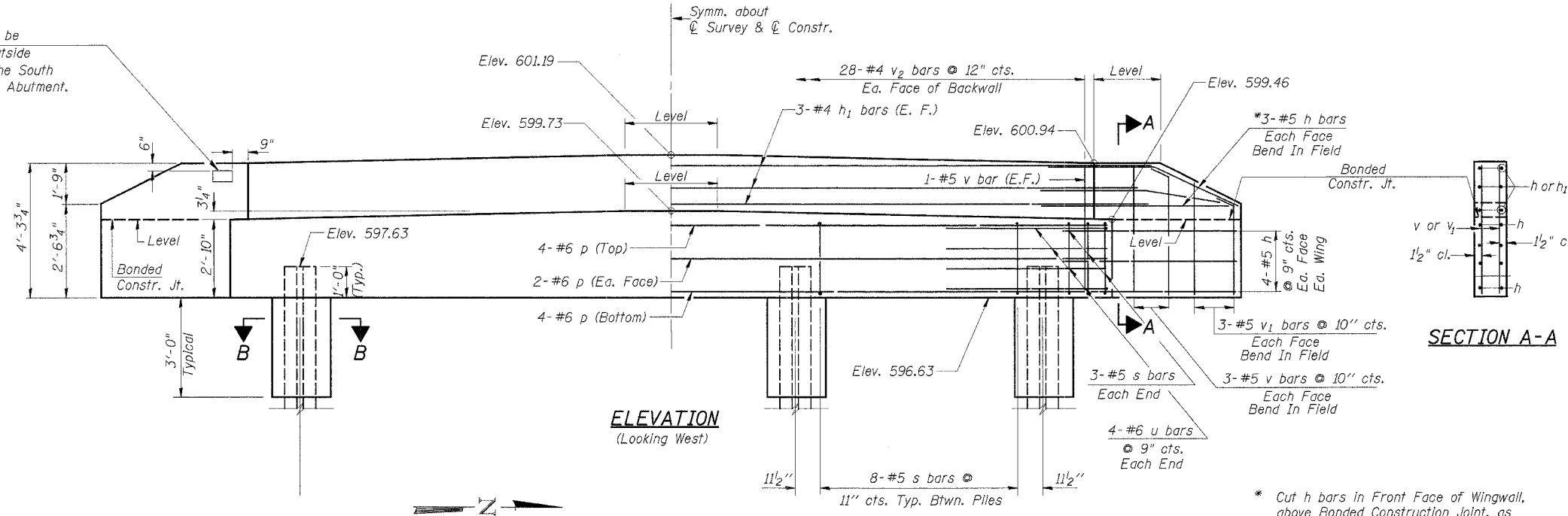


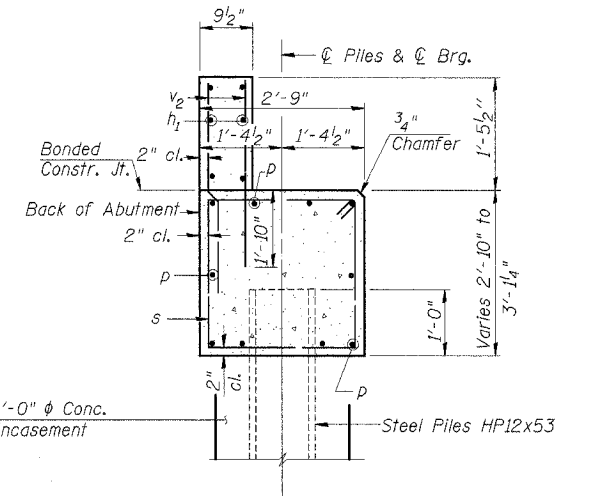
ROUTE NO.	SECTION	COUNTY	TOTAL SHEETS	SHEET NO.
T.R. 39	99-01123-00-BR	CUMBERLAND	11	8
ROAD DISTRICT	ILLINOIS	COTTONWOOD		

Sheet 5 of 8

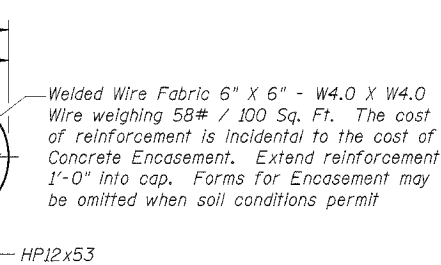
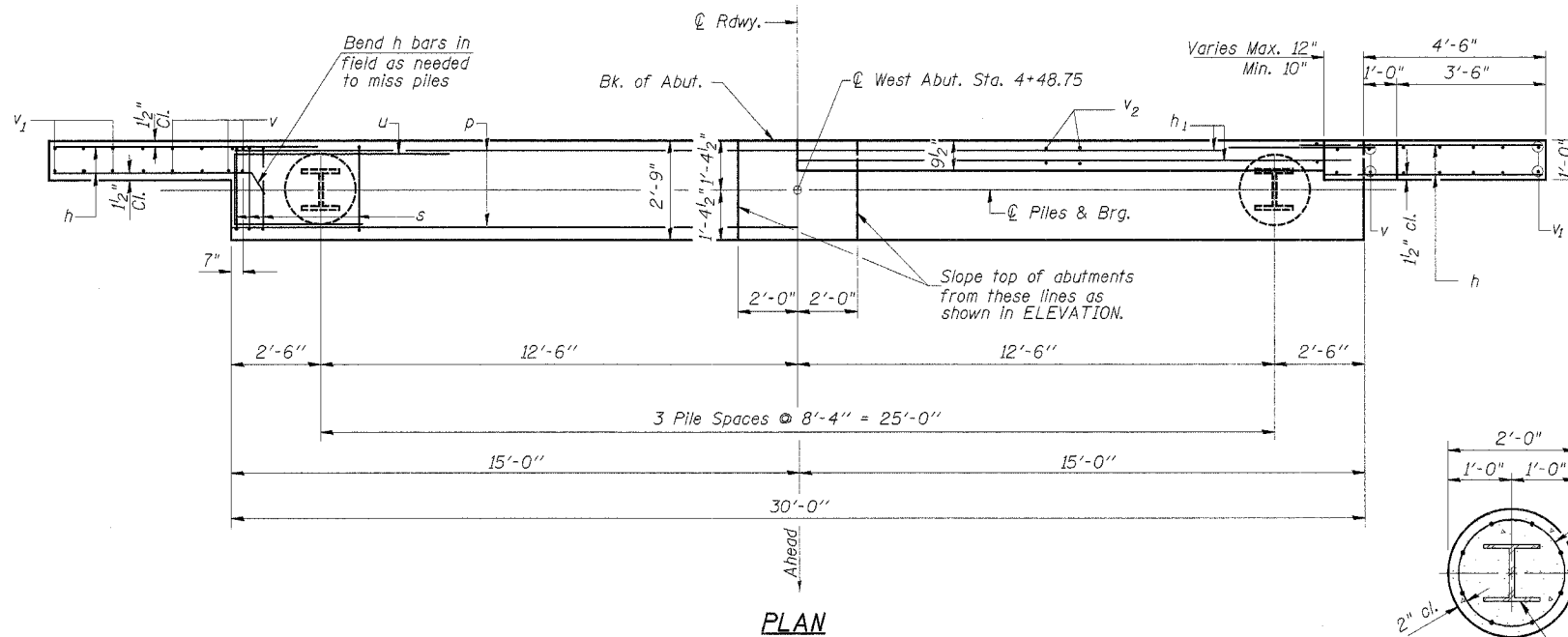
Name Plate shall be placed on the outside at the face of the South Wing of the West Abutment.



NOTE: After beams are in place and dowel rods grouted, the backwall and the portions of the wingwalls above the bonded construction joint shall be poured.



Note: Extend h bars into pile cap.



SECTION B-B

PILE DATA

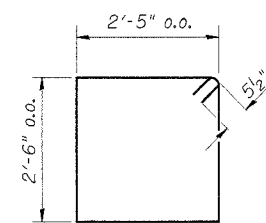
Type \_\_\_\_\_ Steel HP12x53  
 No. Req'd. \_\_\_\_\_ \*\* 4  
 Capacity \_\_\_\_\_ Drive to Refusal  
 Est. Length \_\_\_\_\_ 24 Feet/Pile

\*\*Includes one Test Pile to be driven in a permanent location at the West Abutment.

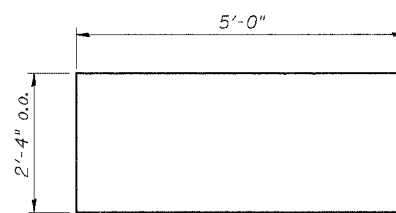
BILL OF MATERIAL - W. ABUT.

BAR	NO.	SIZE	LENGTH	SHAPE
h	28	#5	6'-1"	—
h1	6	#4	32'-0"	—
p	10	#6	29'-8"	—
s	30	#5	10'-9"	□
u	8	#6	12'-4"	—
v	16	#5	4'-0"	—
v1	12	#5	3'-2"	—
v2	56	#4	3'-2"	—
			Cu. Yd.	11.6
Concrete Structures				
Reinforcement Bars			Pound	1,470
Test Pile Steel HP12x53			Each	1
Steel Piles HP12x53			Foot	72
Name Plates			Each	1
Concrete Encasement			Cu. Yd.	1.4

DESIGNED	M.E.B.
CHECKED	F.J.S.
DRAWN	R.S.J.
CHECKED	F.J.S.



BAR s



BAR u

WEST ABUTMENT

SECTION 99-01123-00-BR  
 COTTONWOOD ROAD DISTRICT  
 CUMBERLAND COUNTY  
 STATION 5+09.25

4440 ASH GROVE  
 SPRINGFIELD, IL 62707  
 (217) 793-8600  
 oasinc@tamvid.com

OZYURT AND STONE, INC.  
 CONSULTING ENGINEERS

JOB NO.: 0018.5  
 FILE: ABUT.DWG  
 DATE: 02-19-03