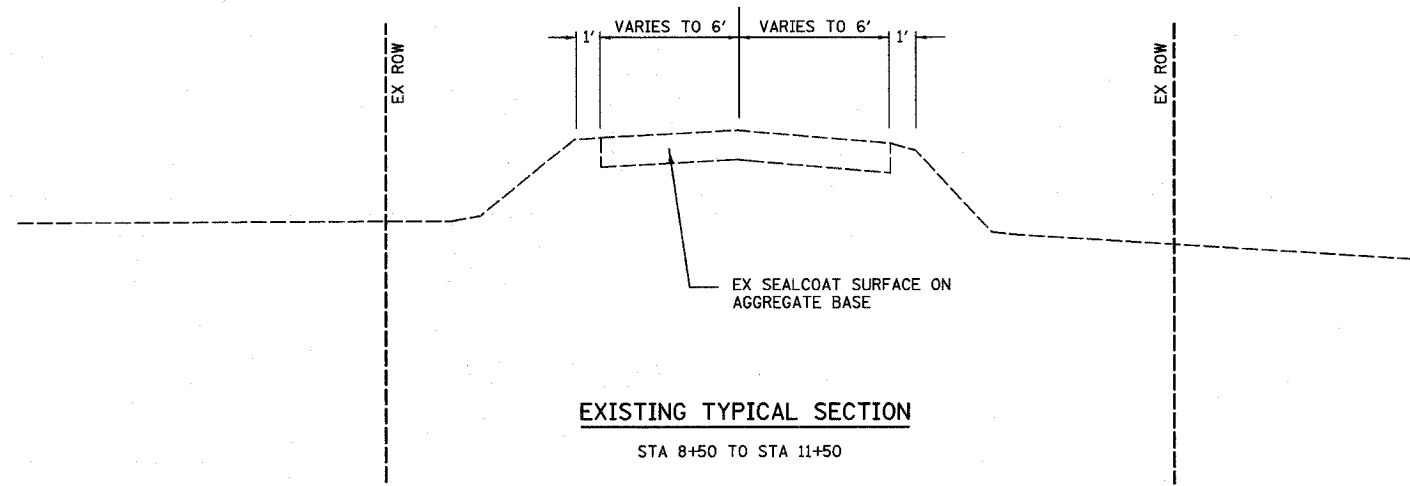
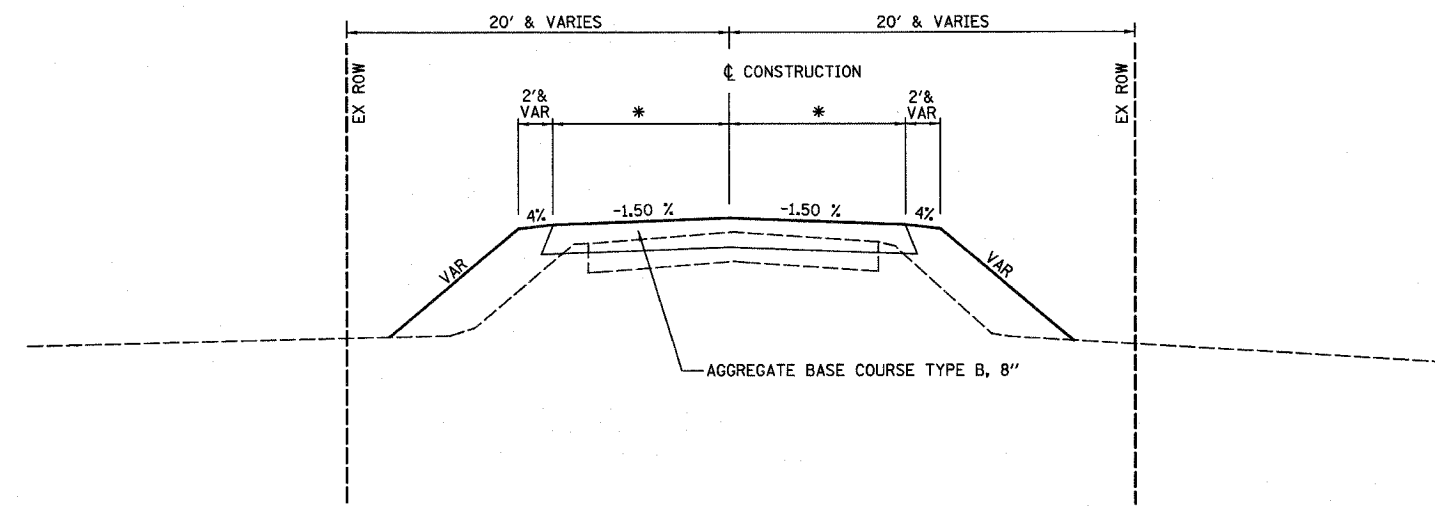


ROUTE NO.	SECTION	COUNTY	TOTAL SHEETS	SHEET NO.
TR 137A	*	EDGAR	18	3
FED. ROAD DIST. NO.		ILLINOIS	PROJECT	
*89-05126-00-BR				



**EXISTING TYPICAL SECTION**  
STA 8+50 TO STA 11+50



**PROPOSED TYPICAL SECTION**

- \* VARIES FROM 7.2' TO 13.5'  
STA 8+95.00 RT TO STA 9+69.91 RT
- VARIES FROM 7.5' TO 13.5'  
STA 8+95.00 LT TO STA 9+70.61 LT
- VARIES FROM 13.5' TO 7.0'  
STA 10+29.39 RT TO STA 11+05.00 RT
- VARIES FROM 13.5' TO 7.6'  
STA 10+30.09 LT TO STA 11+05.00 LT

TYPICAL SECTIONS				
REVISIONS		SECTION 89-05126-00-BR	TR 137A	DRAWN BY DATE
No.	DATE	EDGAR	COUNTY	DLB 12/04
1				CHECKED BY DATE
2				GLF 3/05
3				BOOK NUMBER
4				469
5				PROJECT No.
6				4817
7				SHEET No.
8				
9				
10				

**HOMER L. CHASTAIN & ASSOCIATES, LLP**  
CONSULTING ENGINEERS  
184-001897

DECATUR  
017) 422-0544  
CHICAGO  
073) 714-0050