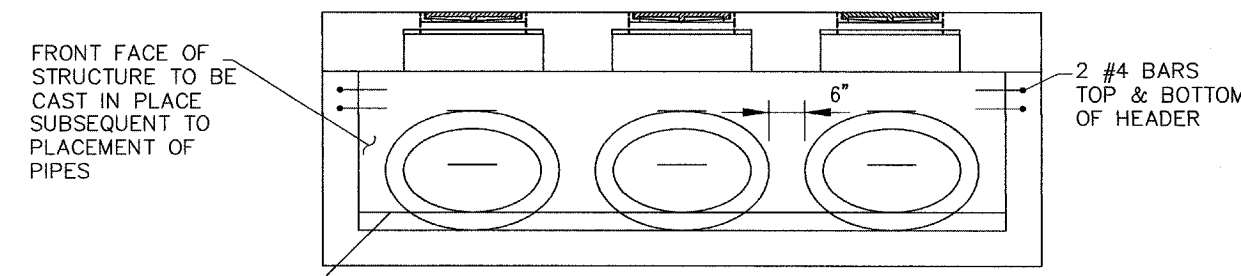
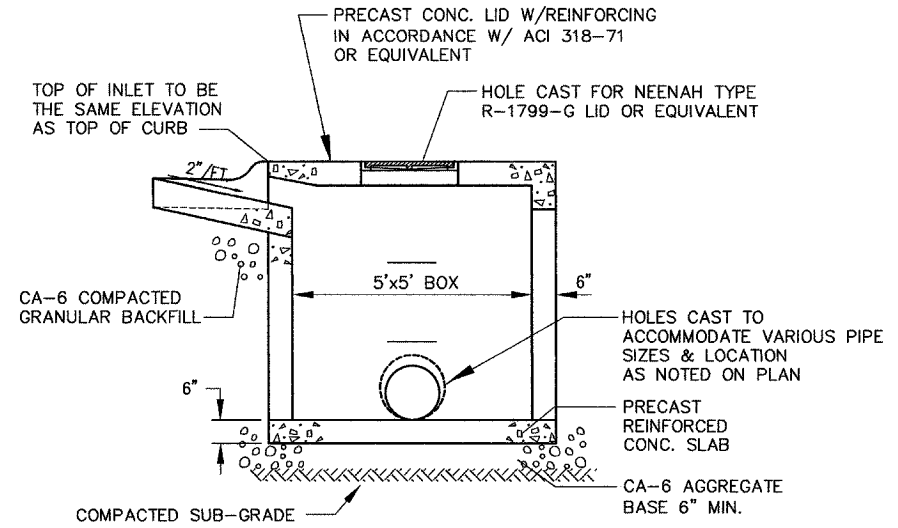


PLAN



FRONT VIEW



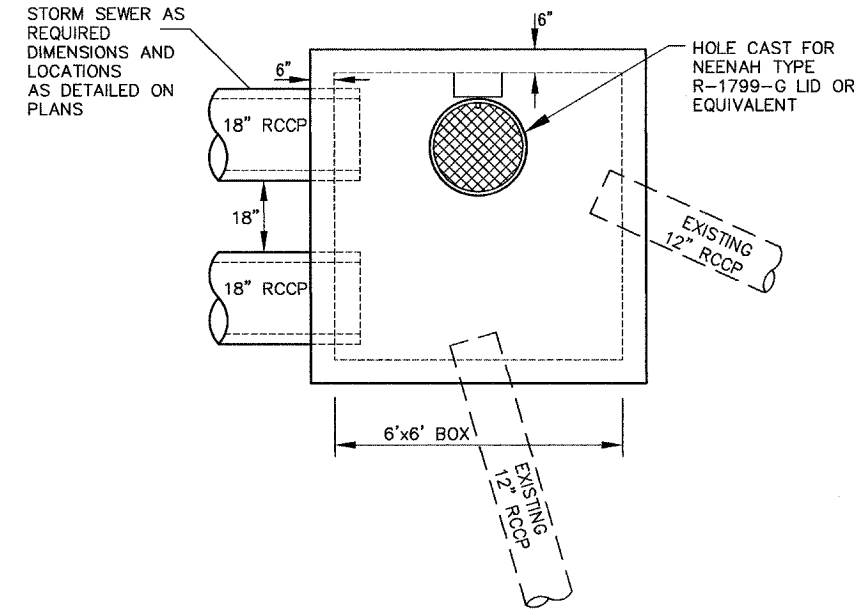
ELEVATION

SPECIFICATIONS:
PRE-CAST INLET SHALL CONFORM TO ASTM C-478

EXECUTION:
ALL WORK SHALL CONFORM TO ILLINOIS STANDARD SPECIFICATIONS FOR ROAD AND BRIDGE CONSTRUCTION.

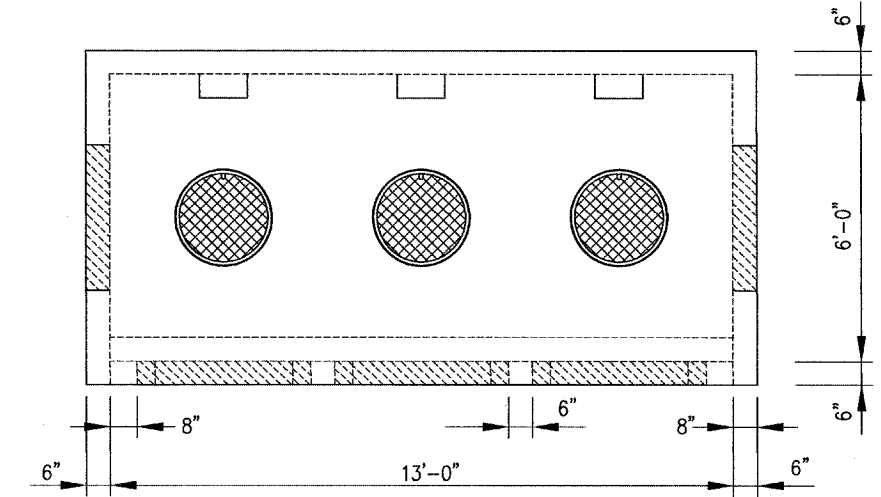
TYPICAL OPEN THROAT INLET

INLET, SPECIAL #1
VARIOUS LOCATIONS



PLAN

INLET, SPECIAL #2
STA 41+38.36 LT



TOP VIEW

INLET, SPECIAL #3
STA 36+21.83 LT & RT

REVISIONS	
NAME	DATE

STORM SEWER DETAILS
HARNETT STREET IMPROVEMENTS
CITY OF MASCOUTAH
ST. CLAIR COUNTY, ILLINOIS